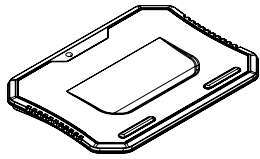
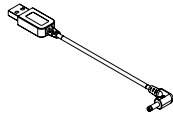


Parts List



Notebook Cooler x 1



USB Cable x 1

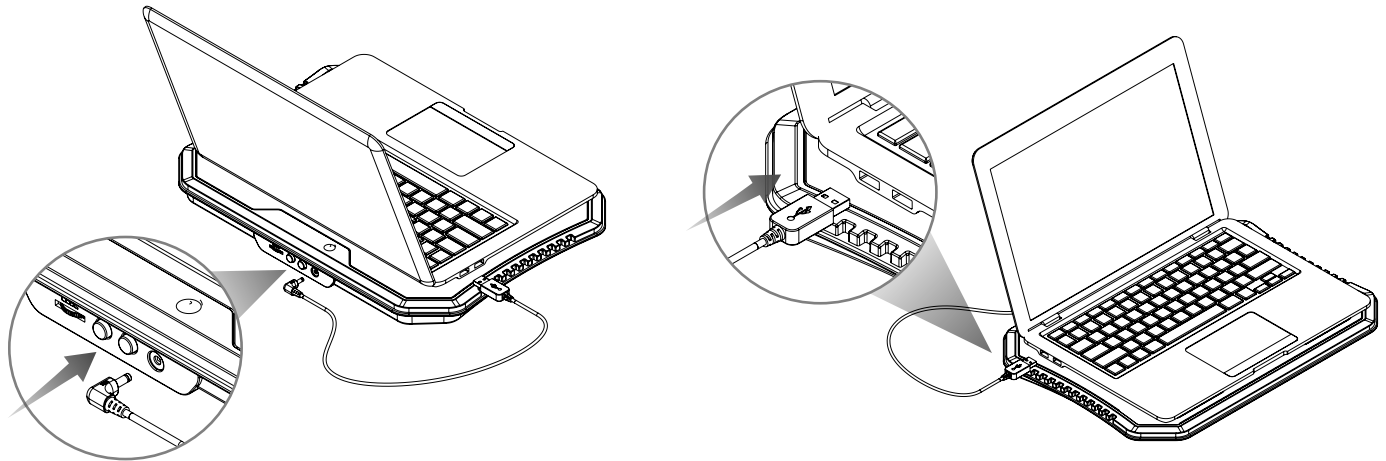


Warranty Card x 1

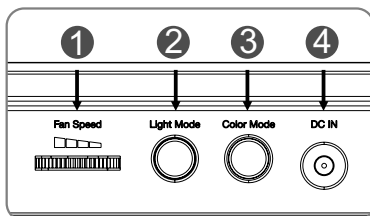


Manual x 1

Installation Guide



Controller Function



- ① Fan Speed Control
- ② Lighting Mode
- ③ Color Mode
- ④ Power Input



Lighting Mode:

Switch over between 5 LED modes

Wave, RGB Spectrum, Pulse, Blink, Full Lighted, OFF

Color Mode:

In wave mode:

Led color can not be adjusted

In RGB Spectrum mode:

Click to memorize and lock the color you want, click again to unlock the 256 colors auto rotation.

In Pulse, Blink mode:

Switch over 7 LED colors.

In Full Lighted mode:

Switch over 4 LED colors.