

View 380 XL TG ARGB

User's Manual
Benutzerhandbuch
Mode d'emploi
Manual del usuario
Manuale dell'utente
Manual do Utilizador

安裝說明書
用戶手冊
ユーザーズマニュアル
Руководство пользователя
kullanıcı elkitabı
(EEE Yönetmeliğine Uygundur)
คู่มือการใส่



© 2025 Thermaltake Technology Co., Ltd. All Rights Reserved. 2025.01
All other registered trademarks belong to their respective companies. www.thermaltake.com



TT Premium



TT Premium

To continue achieving the corporate mission of delivering the perfect user experience, Thermaltake developed "TT Premium" with the essence of combining supreme quality products with a new logo design. TT Premium is far more than just a guarantee of quality. Behind the name, it represents the passion in DIY, Modding and Thermaltake's desire to be the most innovative brand in the PC hardware market. To satisfy the demand of the high-end PC users, TT Premium follows its core values of Excellent Quality, Unique Design, Diverse Combinations and Boundless Creativity to provide a high performance PC product for every enthusiast. <http://tppremium.com>

Tt LCS-Liquid Cooling Support Certification



Tt LCS Certified is a Thermaltake exclusive certification applied to only products that pass the design and hardcore enthusiasts standards that a true LCS chassis should be held to. The Tt LCS certification was created so that we at Thermaltake can designate to all power users which chassis have been tested to be best compatible with extreme liquid cooling configurations to ensure you get the best performance from the best features and fitment.

Join Tt Community To Receive Benefits



Dear Valued Customer,
Thank you for choosing Thermaltake.
As a new user we value your thoughts and opinions and your feedback is important to us. We at Thermaltake would like to use this opportunity to invite you to join our Community Forums. Register today to start enjoying the full benefits of our community.



Benefits of being a member:

- Quick and responsive user support
- Receive help and advice with new builds
- Keep up to date with new product releases
- Share your thoughts and builds with the community
- Enter monthly contests and giveaways

Brand official website
<http://www.thermaltake.com/>

Global Facebook
<https://www.facebook.com/ThermaltakeInc>

Taiwan Facebook
<http://www.facebook.com/ThermaltakeTW>

Global community forums
<http://community.thermaltake.com>

CONTENTS






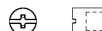




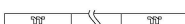
Chapter 1. Product Introduction

1.0	Specification	01
1.1	Accessory	02
1.2	Warning and Notice	03

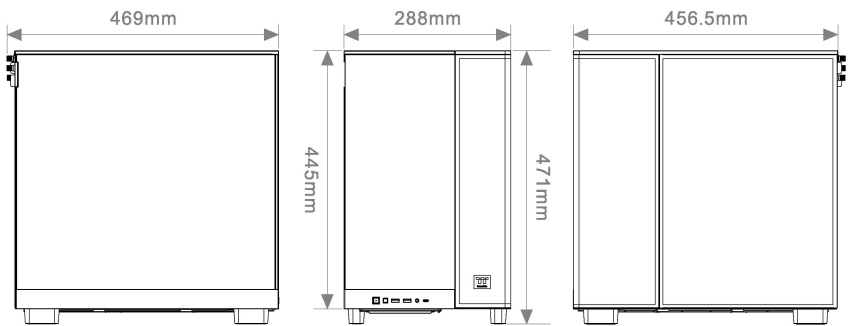
Chapter 2. Installation Guide

2.0	Remove Panels	06
2.1	Remove HDD Panel	07
2.2	Power Supply Unit (PSU) Installation	09
2.3	Motherboard Installation	10
2.4	3.5" & 2.5" HDD Installation	11
2.5	VGA Card Installation	13
2.6	VGA Bracket Installation	14
2.7	Air Cooling Installation	15
2.8	AIO Liquid Cooling Installation	16
2.9	DIY Liquid Cooling Installation	17
2.10	I/O Connection	18
2.11	Remove Filters	19

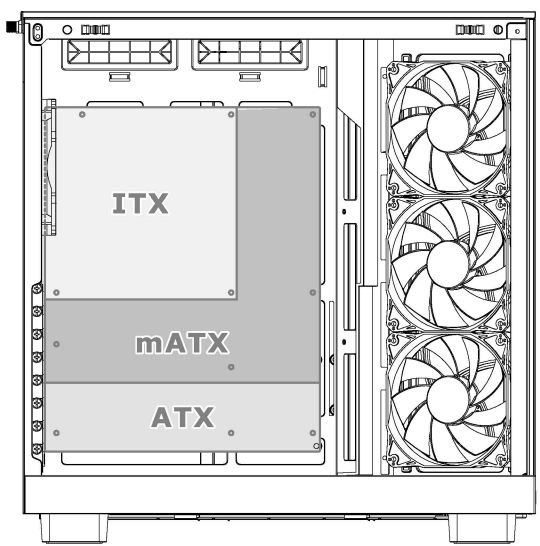
Case Type	Mid Tower		
Dimension (H*W*D)	471 x 288 x 469 mm (18.54 x 11.34 x 18.46 inch)		
Panel	Tempered Glass x 2		
Material	SPCC		
Cooling System	Right (intake): 120 x 120 x 25 mm ARGB Lite Reverse fan (1000rpm, 21.9 dBA) x 3 Rear (exhaust): 120 x 120 x 25 mm ARGB Lite fan (1000rpm, 22.3 dBA) x 1		
Drive Bays	1 x 3.5", 2 x 2.5" or 3 x 2.5"		
Expansion Slots	8		
Motherboards	6.7" x 6.7" (Mini ITX), 9.6" x 9.6" (Micro ATX), 12" x 9.6" (ATX)		
I/O Port	USB 3.2 (Gen 2) Type-C x 1, USB 3.0 x 2, HD Audio x 1		
PSU	Standard PS2 PSU (optional)		
Fan Support	Top	3 x 120 mm, 2 x 120 mm, 1 x 120 mm	2 x 140 mm, 1 x 140 mm
	Right	3 x 120 mm, 2 x 120 mm, 1 x 120 mm	
	Rear	1 x 120 mm	
	Bottom	3 x 120 mm, 2 x 120 mm, 1 x 120 mm	
Radiator Support	Top	1 x 360 mm, 1 x 240 mm, 1 x 120 mm	1 x 280 mm, 1 x 140 mm
	Right	1 x 360 mm, 1 x 240 mm, 1 x 120 mm	
	Rear	1 x 120 mm	
Clearances	CPU cooler max height	160 mm	
	VGA max length	420 mm	
	PSU max length	180 mm	

Figure	Parts Name	Q'ty	Used for
	Screw #6-32 x 6mm	5	Power Supply / VGA Bracket
	Screw M3 x 5mm	22	Motherboard / 2.5" HDD / SSD
	Screw #6-32 x 6mm	5	3.5" HDD
	Screw #6-32 x 6mm	2	VGA Bracket
	Stand-off 6.5mm	3	Backup
	Nut setter	1	Motherboard Stand-off
	VGA Bracket-A	1	VGA Support
	VGA Bracket-B	1	VGA Support
	Buzzer	1	Motherboard Alarm
	Panel Clip	2	Backup
	Cable Ties	10	Cable Management
	Velcro-1 meter	1	Cable Management

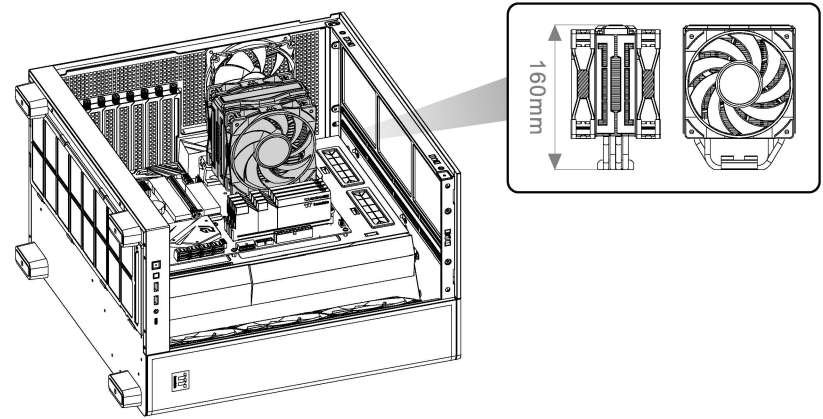
Chassis dimension



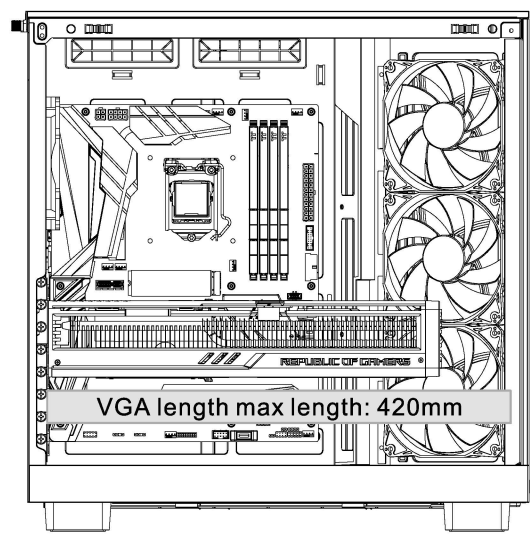
Motherboard Compatibility: ITX / mATX / ATX



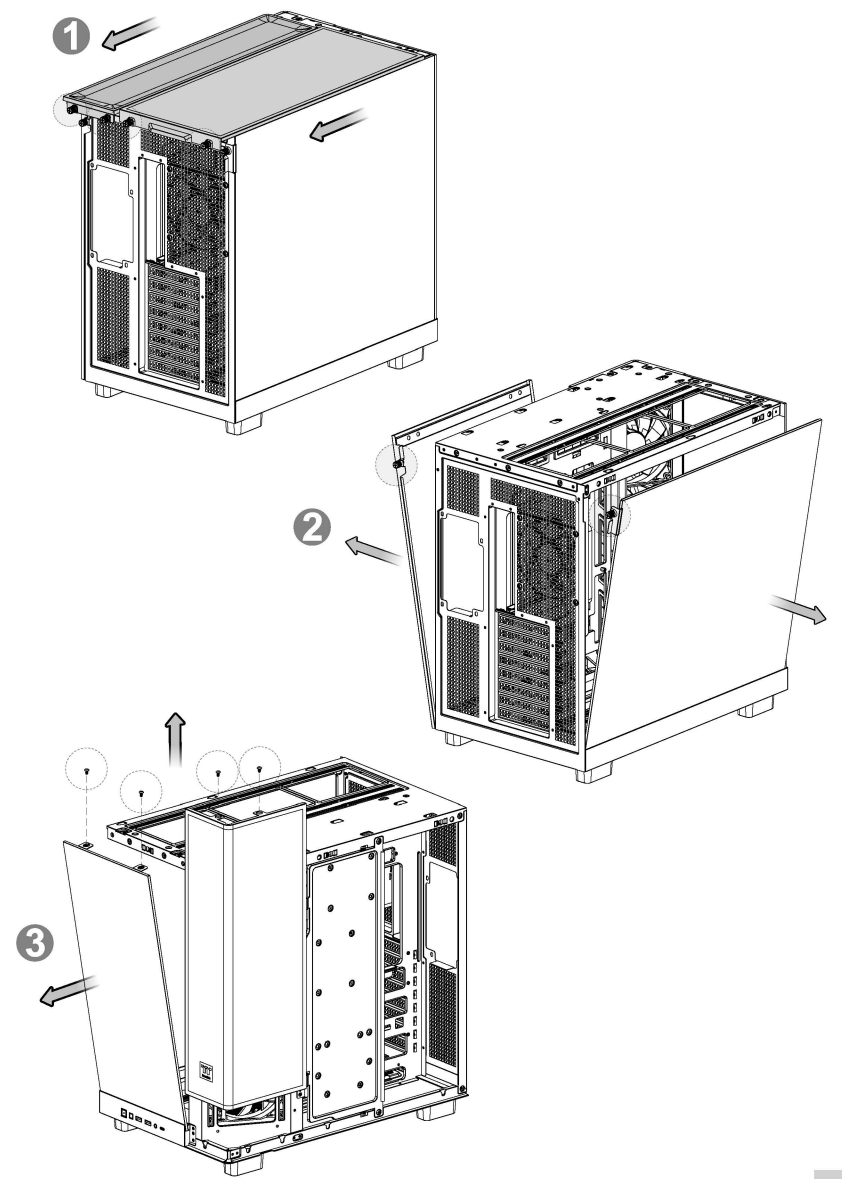
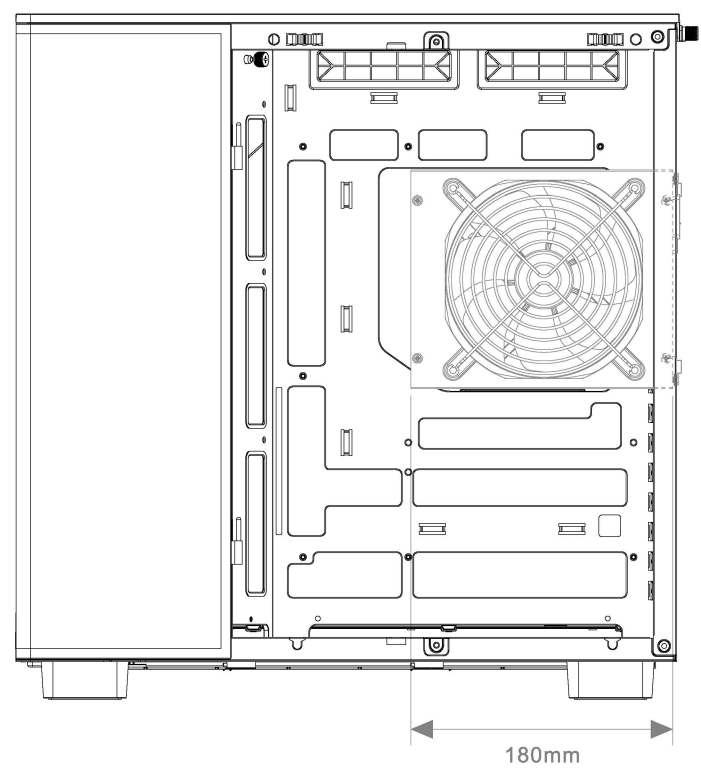
CPU cooler max height: 160mm

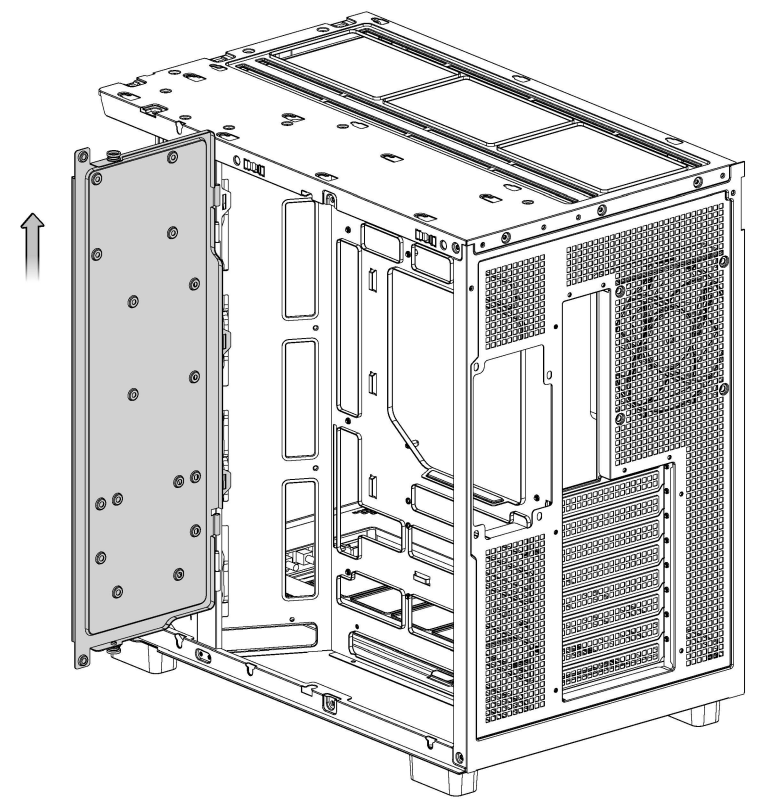
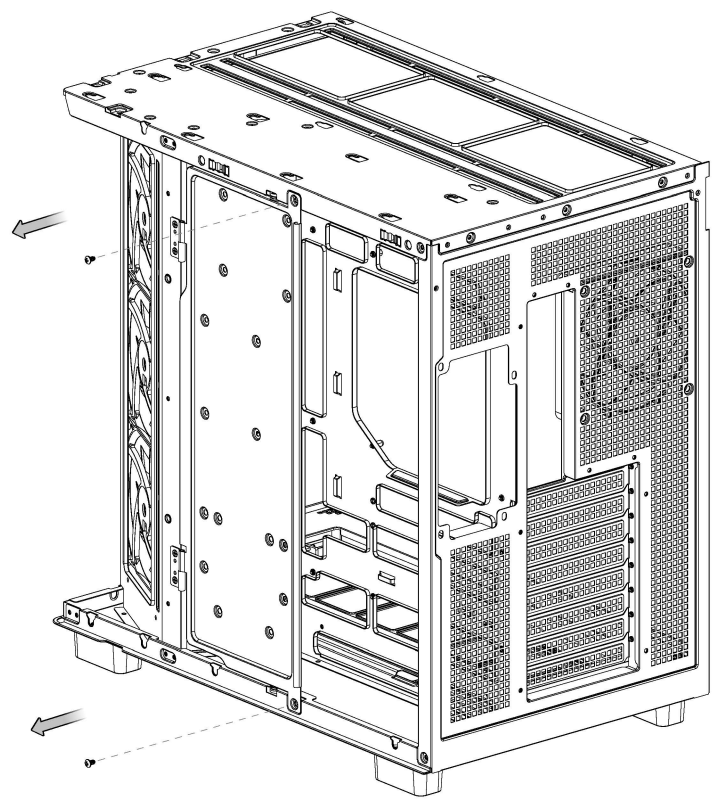


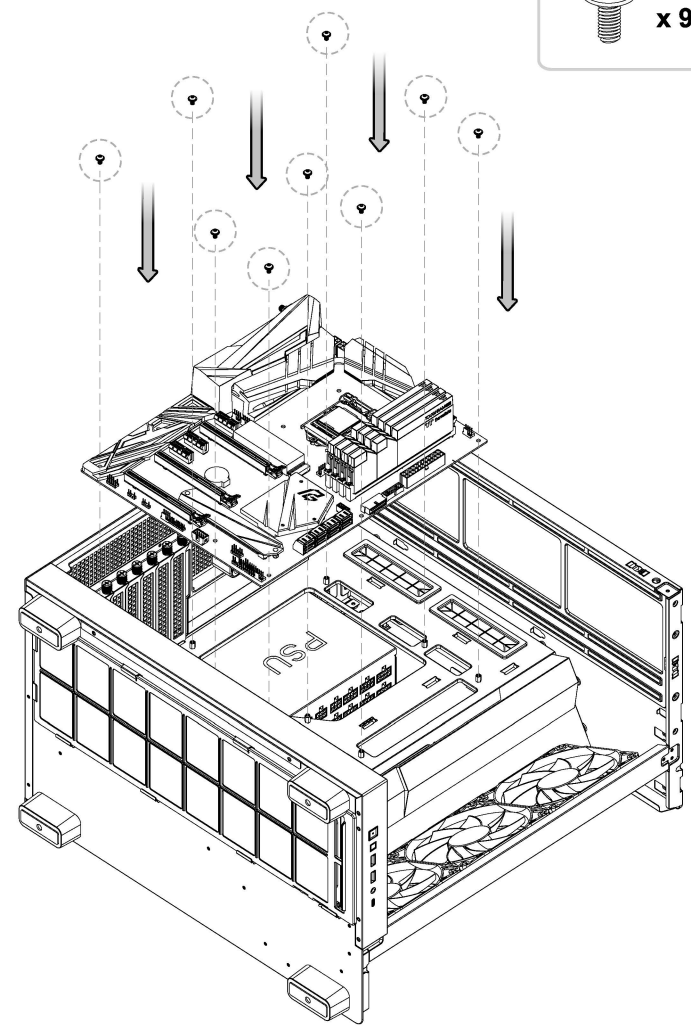
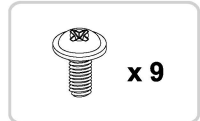
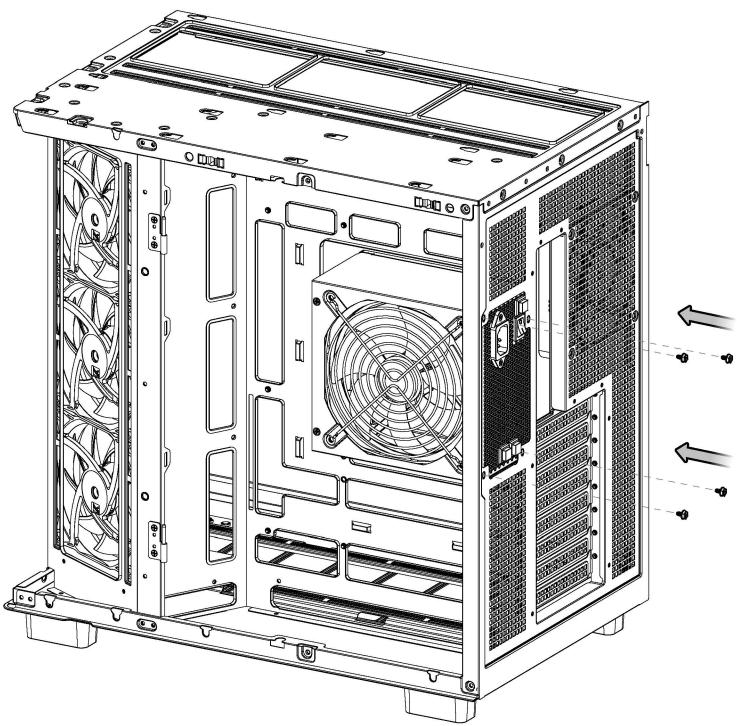
VGA max length: 420mm



PSU max length: 180mm

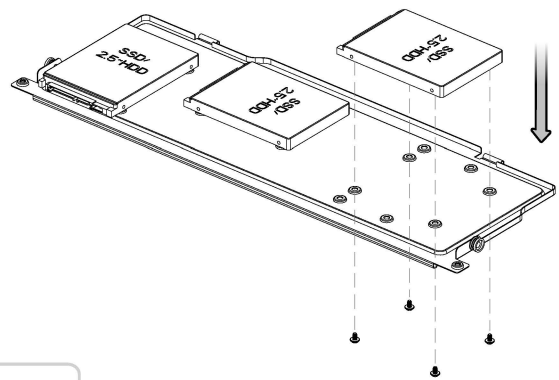




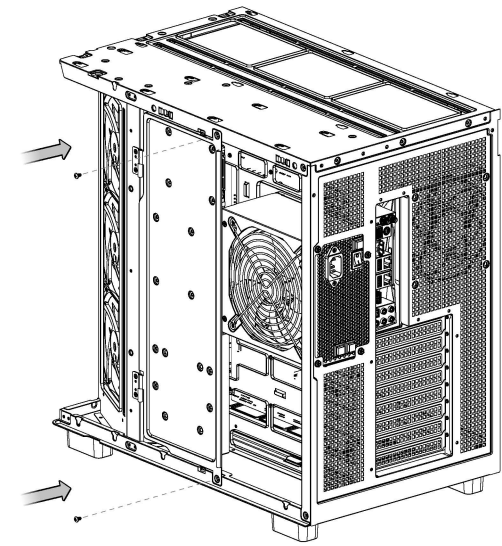
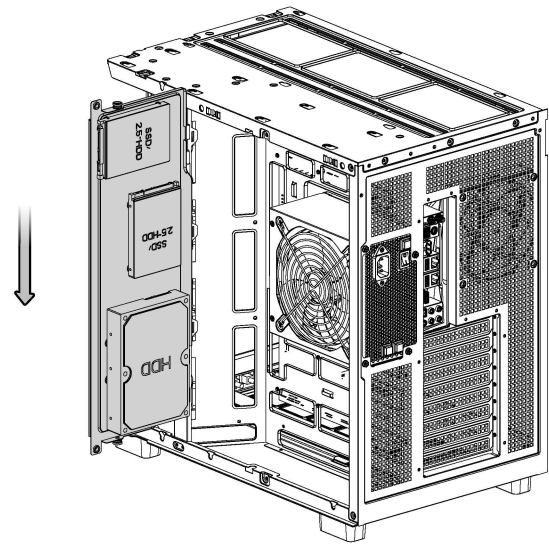
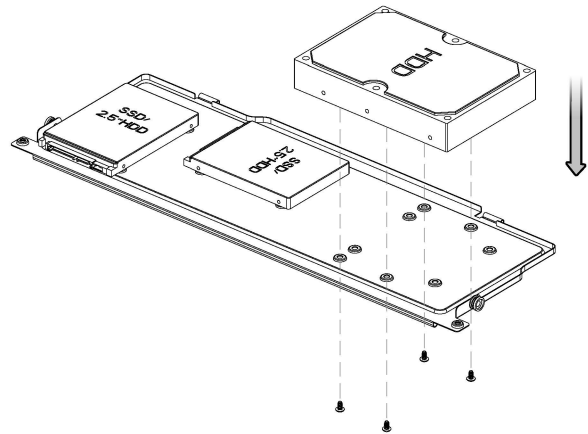


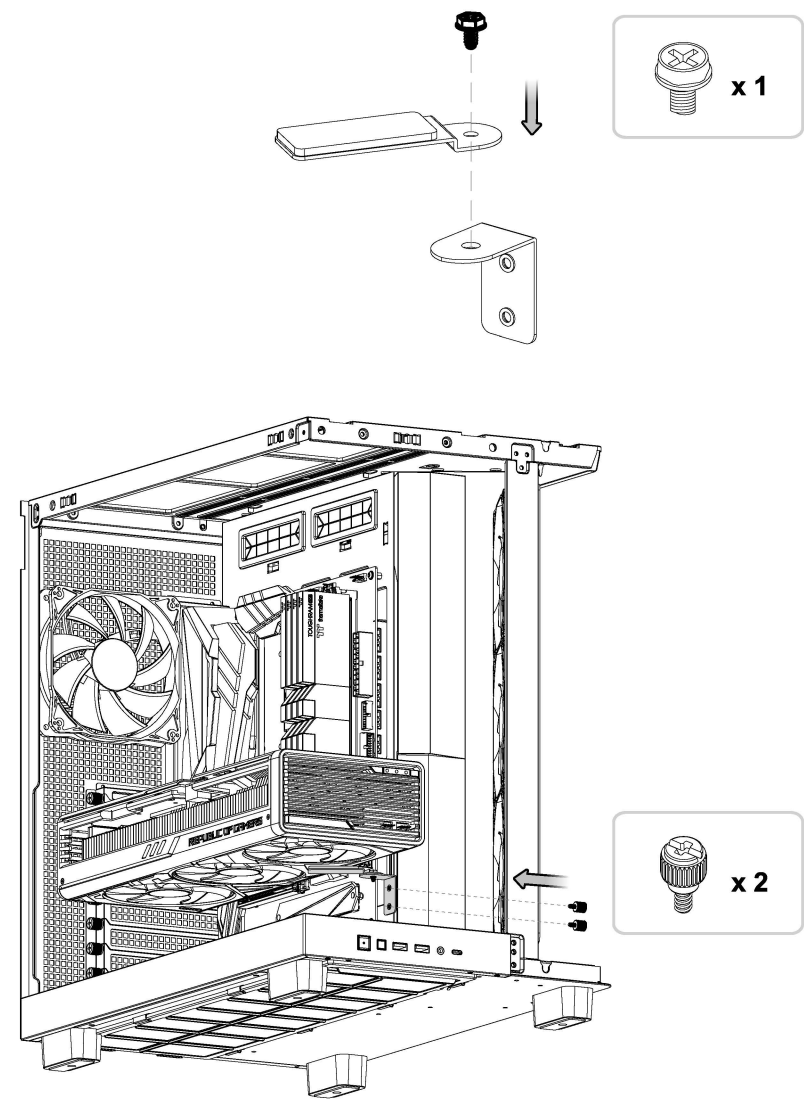
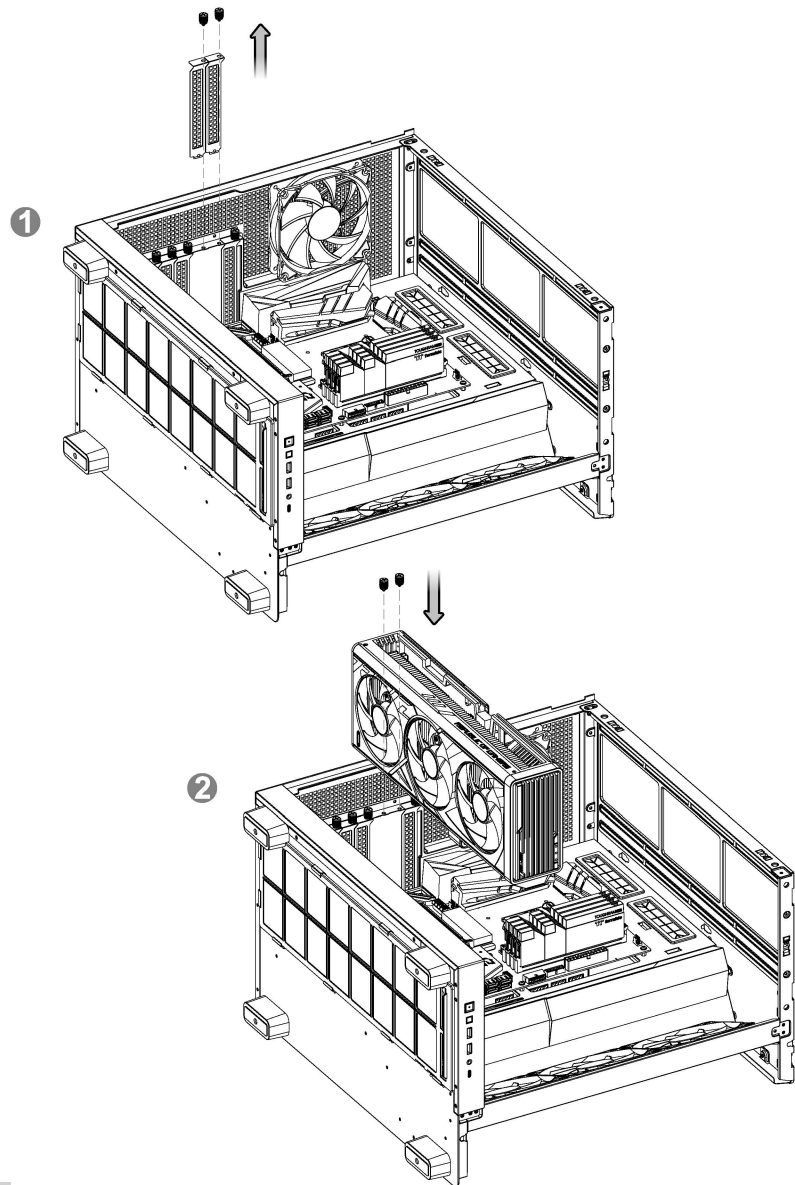


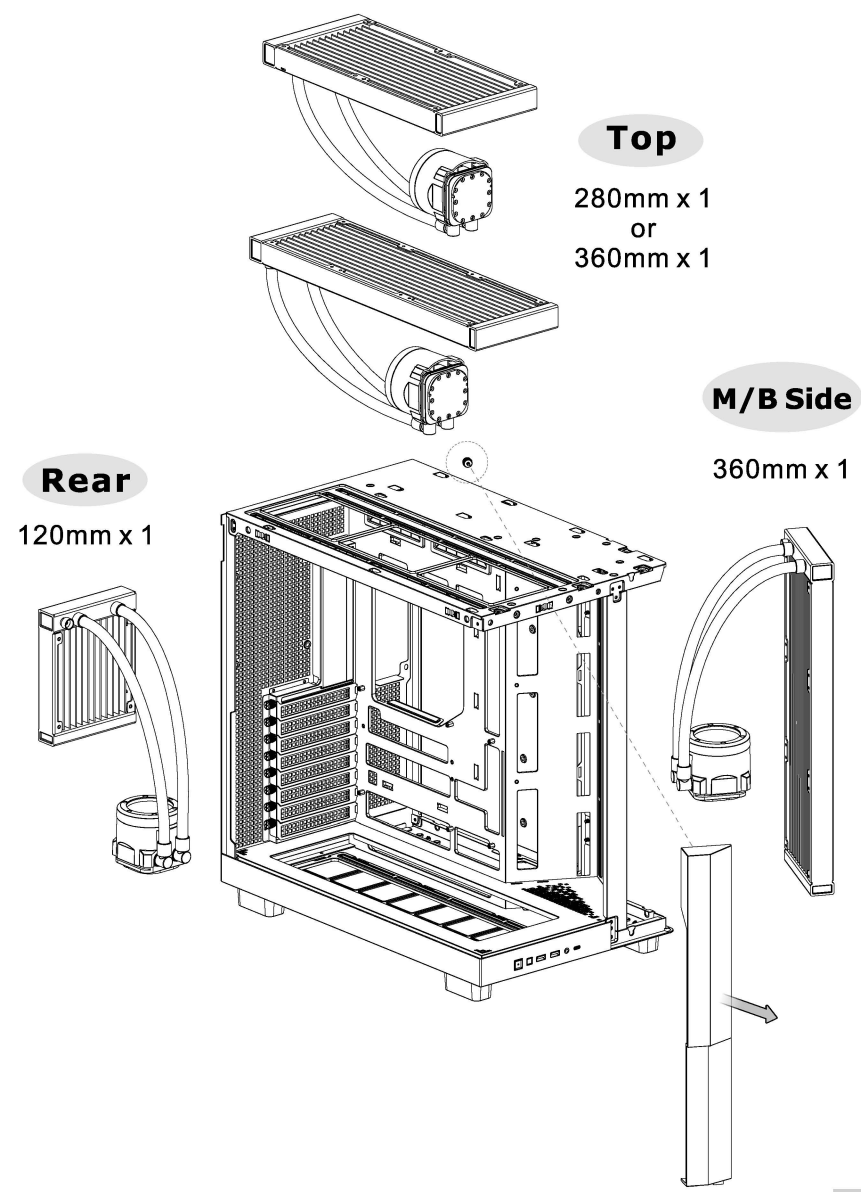
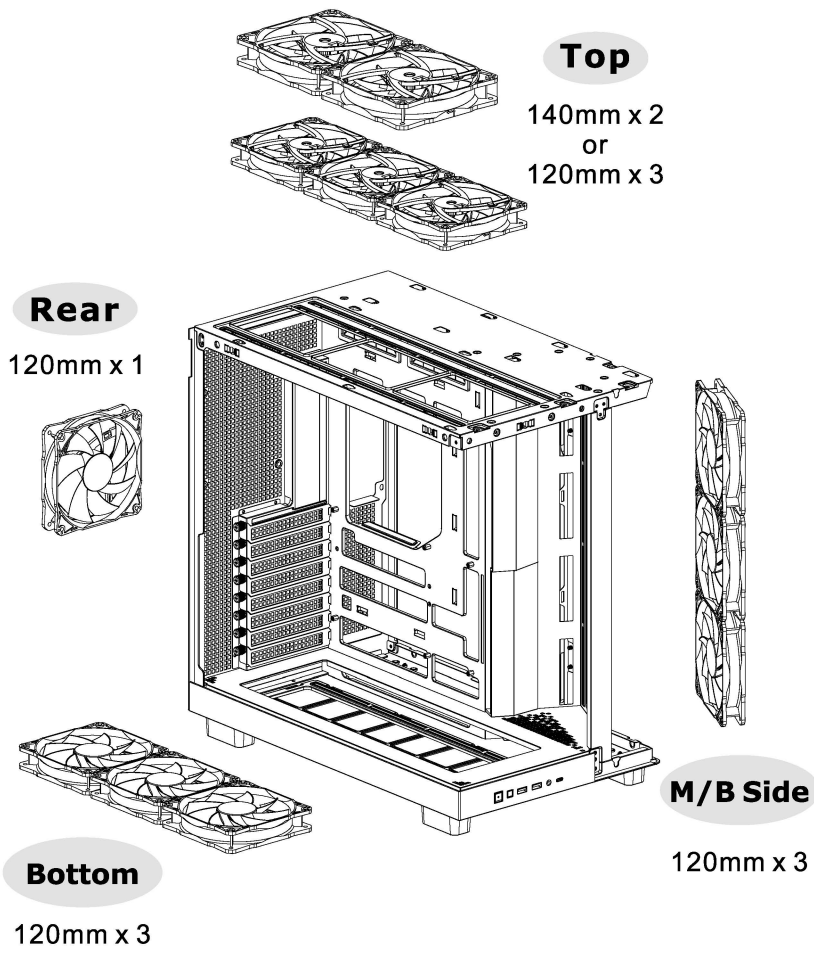
2.5" HDD

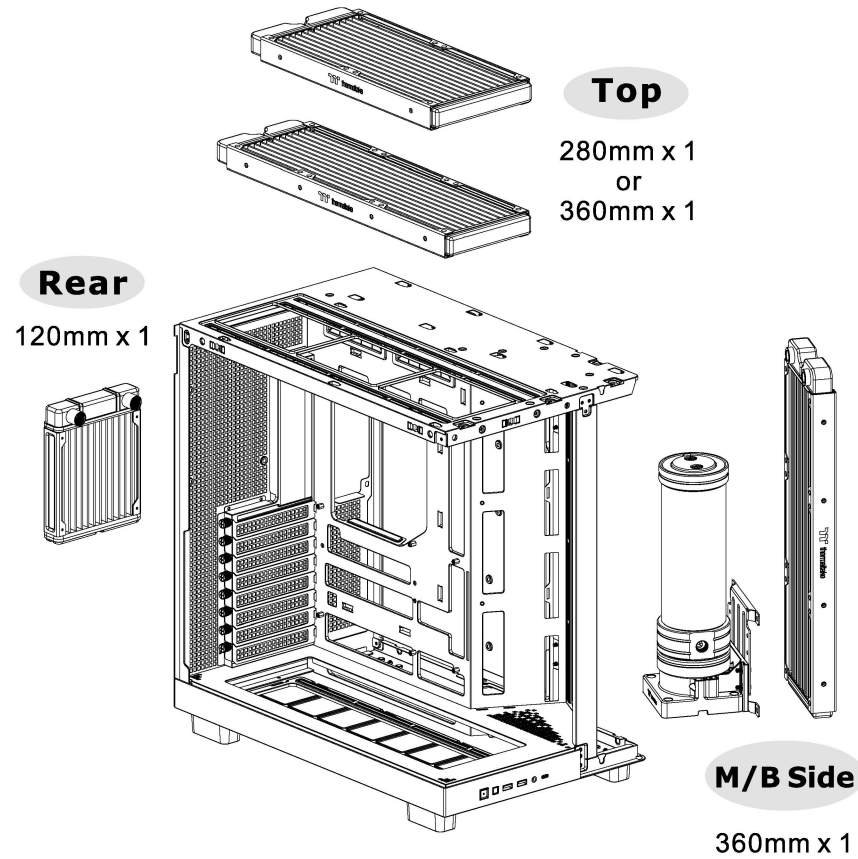


3.5" HDD

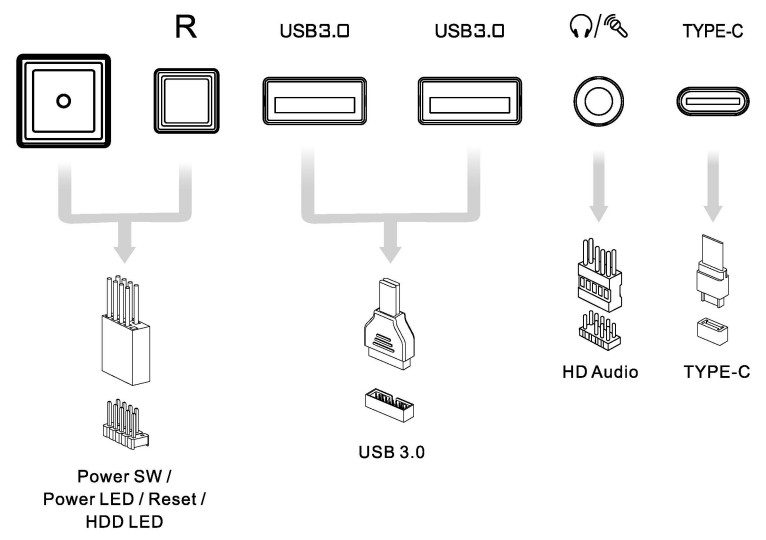




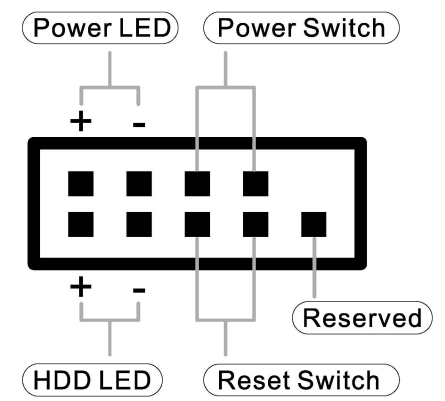


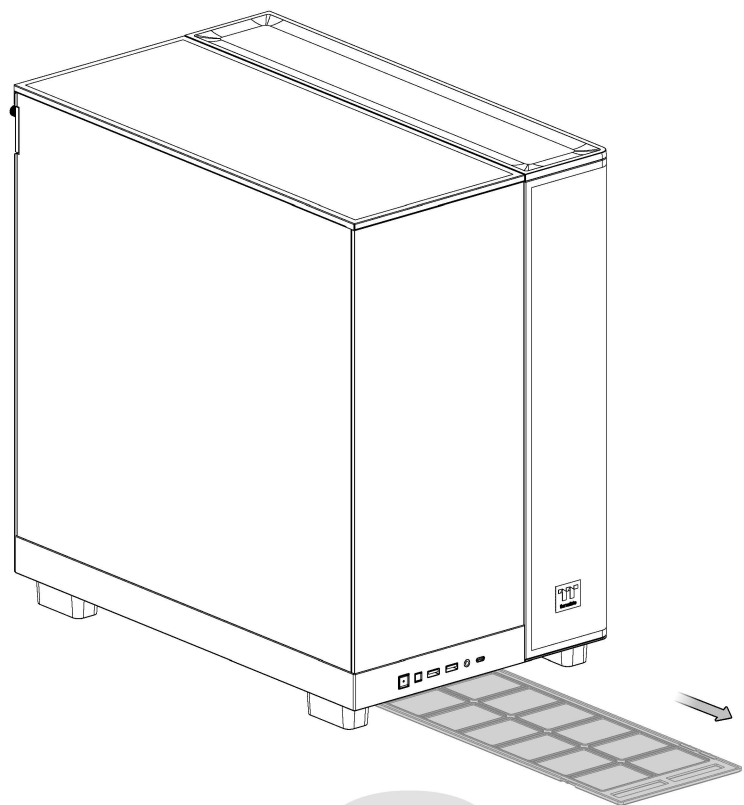


I/O Port



Motherboard Header Diagram





Bottom