

## Versa H16 TG ARGB

User's Manual  
Benutzerhandbuch  
Mode d'emploi  
Manual del usuario  
Manuale dell'utente  
Manual do Utilizador

安裝說明書  
用戶手冊  
ユーザーズマニュアル  
Руководство пользователя  
kullanıcı elkitabı  
(EEE Yönetmeliğine Uygundur)  
คู่มือการใช้



© 2024 Thermaltake Technology Co., Ltd. All Rights Reserved. 2024.08  
All other registered trademarks belong to their respective companies. [www.thermaltake.com](http://www.thermaltake.com)



## TT Premium



### TT Premium

To continue achieving the corporate mission of delivering the perfect user experience, Thermaltake developed "TT Premium" with the essence of combining supreme quality products with a new logo design. TT Premium is far more than just a guarantee of quality. Behind the name, it represents the passion in DIY, Modding and Thermaltake's desire to be the most innovative brand in the PC hardware market. To satisfy the demand of the high-end PC users, TT Premium follows its core values of Excellent Quality, Unique Design, Diverse Combinations and Boundless Creativity to provide a high performance PC product for every enthusiast. <http://ttpremium.com>

## Tt LCS-Liquid Cooling Support Certification



Tt LCS Certified is a Thermaltake exclusive certification applied to only products that pass the design and hardcore enthusiasts standards that a true LCS chassis should be held to. The Tt LCS certification was created so that we at Thermaltake can designate to all power users which chassis have been tested to be best compatible with extreme liquid cooling configurations to ensure you get the best performance from the best features and fitment.

## Join Tt Community To Receive Benefits



Dear Valued Customer,  
Thank you for choosing Thermaltake.  
As a new user we value your thoughts and opinions and your feedback is important to us. We at Thermaltake would like to use this opportunity to invite you to join our Community Forums. Register today to start enjoying the full benefits of our community.



### Benefits of being a member:

- Quick and responsive user support
- Receive help and advice with new builds
- Keep up to date with new product releases
- Share your thoughts and builds with the community
- Enter monthly contests and giveaways

**Brand official website**  
<http://www.thermaltake.com/>

**Global Facebook**  
<https://www.facebook.com/ThermaltakeInc>

**Taiwan Facebook**  
<http://www.facebook.com/ThermaltakeTW>

**Global community forums**  
<http://community.thermaltake.com>

# CONTENTS

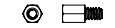

## Chapter 1. Product Introduction

1.0	Specification .....	01
1.1	Accessory .....	02
1.2	Warning and Notice .....	03

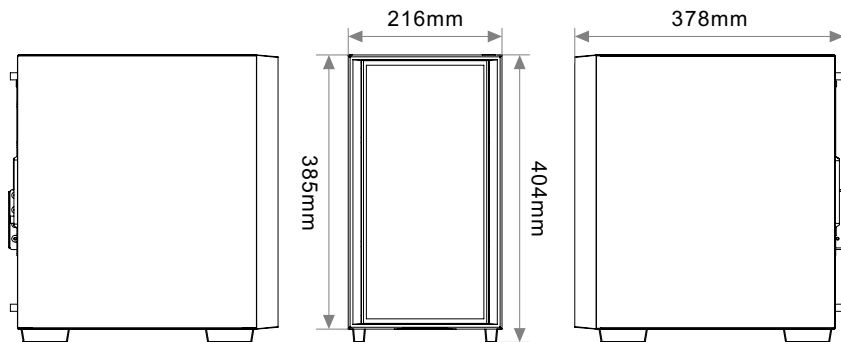
## Chapter 2. Installation Guide

2.0	Remove Panels .....	06
2.1	Power Supply Unit (PSU) Installation .....	07
2.2	Motherboard Installation .....	08
2.3	3.5" & 2.5" HDD Installation .....	09
2.4	VGA Card Installation .....	11
2.5	Air Cooling Installation .....	12
2.6	AIO Liquid Cooling Installation .....	13
2.7	I/O Connection .....	14
2.8	Remove Filters .....	15

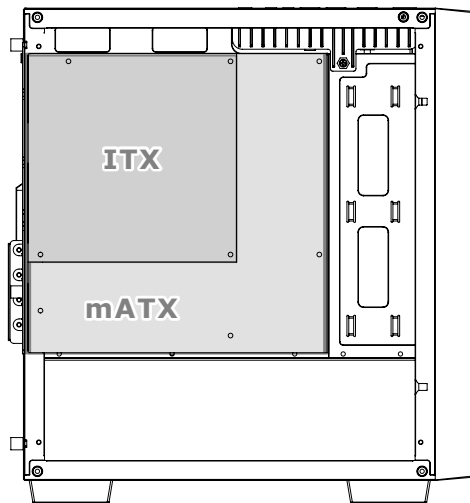
Case Type	Small Tower
Dimension (H*W*D)	404 x 216 x 378 mm (15.9 x 8.5 x 14.9 inch)
Side Panel	Tempered Glass x 1
Material	SPCC
Cooling System	<b>Front (intake):</b> 120 x 120 x 25 mm ARGB Lite fan (1000 rpm, 22.3 dBA) x 2 <b>Rear (exhaust):</b> 120 x 120 x 25 mm ARGB Lite fan (1000 rpm, 22.3 dBA) x 1
Drive Bays	2 x 3.5", 2 x 2.5" or 1 x 3.5", 3 x 2.5"
Expansion Slots	4
Motherboards	6.7" x 6.7" (Mini ITX), 9.6" x 9.6" (Micro ATX)
I/O Port	USB 3.0 x 2, USB 2.0 x 1, microphone x 1, earphone x 1
PSU	Standard PS2 PSU (optional)
Fan Support	<b>Front:</b> 2 x 120 mm, 1 x 120 mm 2 x 140 mm, 1 x 140 mm <b>Top:</b> 2 x 120 mm, 1 x 120 mm 2 x 140 mm, 1 x 140 mm <b>Rear:</b> 1 x 120 mm
Radiator Support	<b>Front:</b> 1 x 240 mm, 1 x 120 mm 1 x 280 mm, 1 x 140 mm <b>Top:</b> 1 x 240 mm, 1 x 120 mm <b>Rear:</b> 1 x 120 mm
Clearance	CPU cooler height limitation: 175mm VGA length limitation: 330mm PSU length limitation: 170mm

Figure	Part Name	Q'ty	Use For
	Stand-off #6-32 x 6 mm	3	Motherboard
	Screw #6-32 x 6 mm	7	Power Supply / PCI
	Screw #6-32 x 6 mm	8	3.5" HDD
	Screw M3 x 5 mm	23	Motherboard / 2.5" SSD / HDD
	Zip Ties	10	Cable Management
	Buzzer	1	Motherboard Alarm
	Nut Setter	1	Motherboard Stand-off Installation

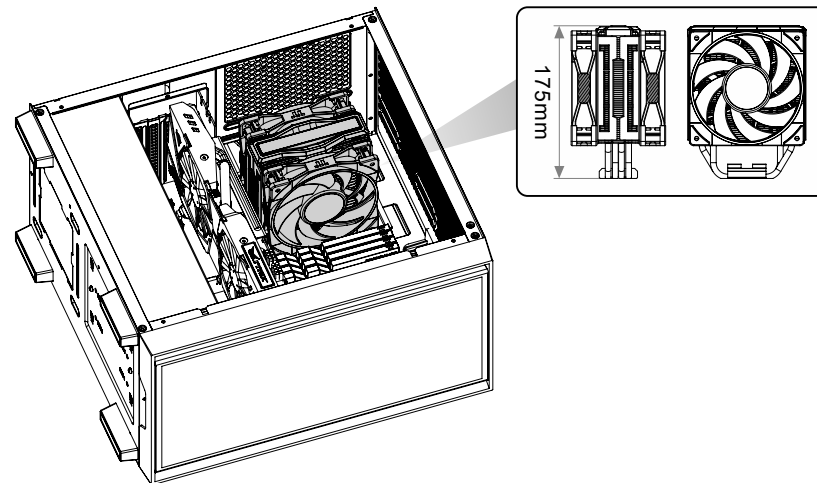
Chassis dimension



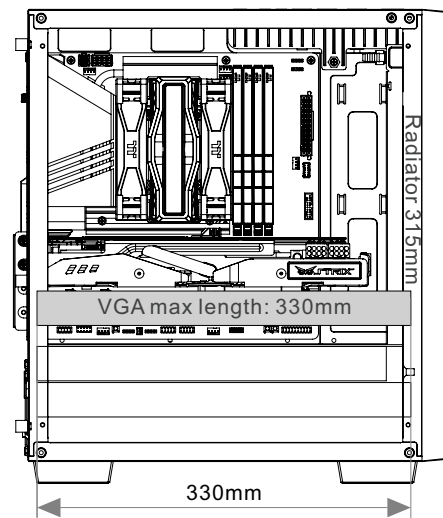
Motherboard Compatibility: ITX / mATX  
(Up to 244mm wide)



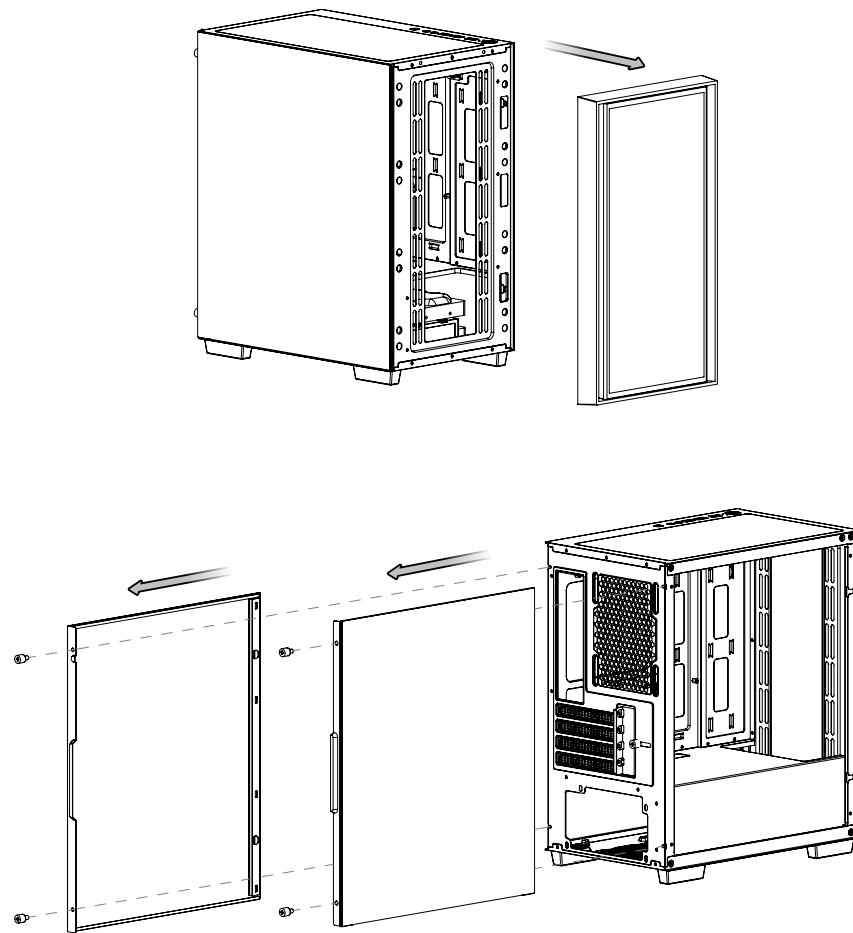
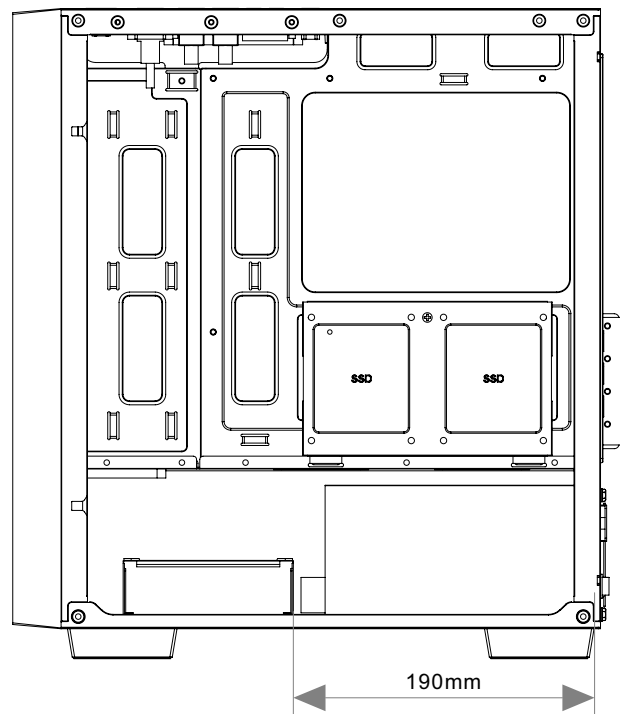
CPU cooler max height: 175mm

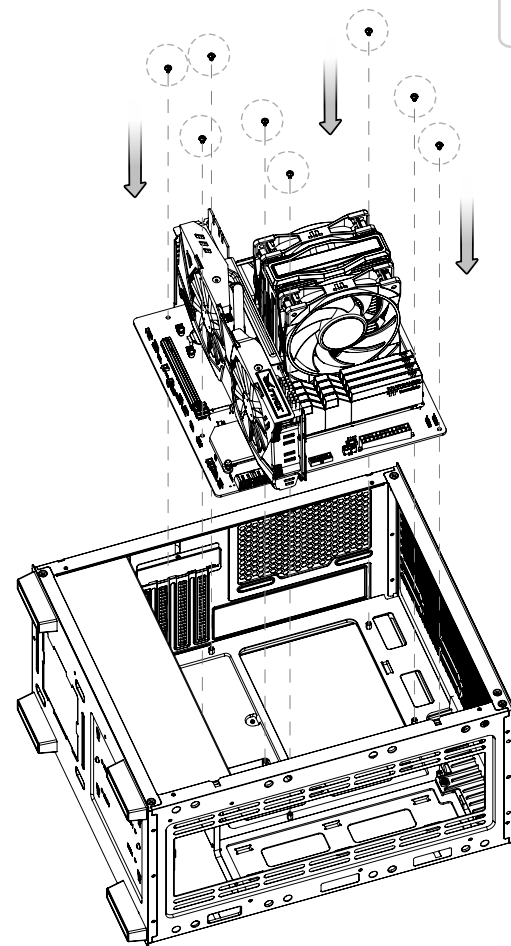
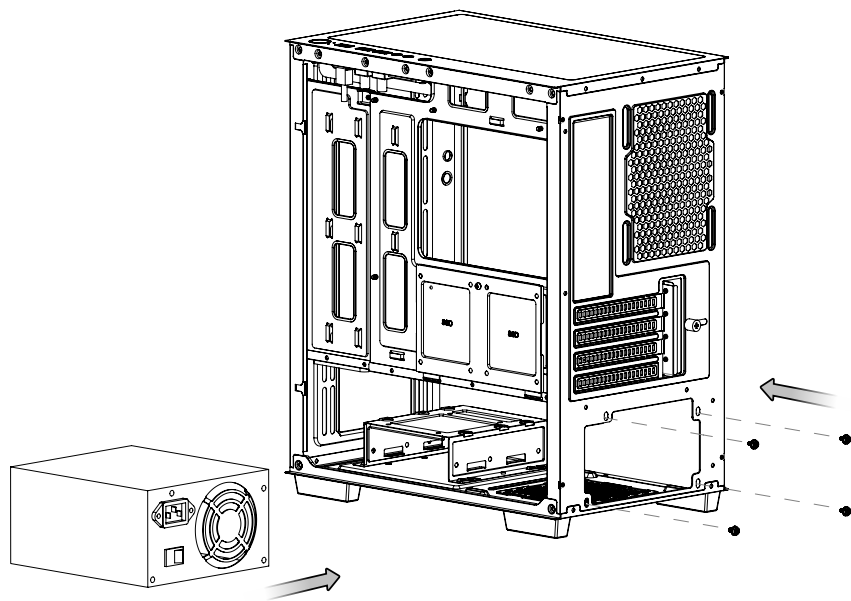


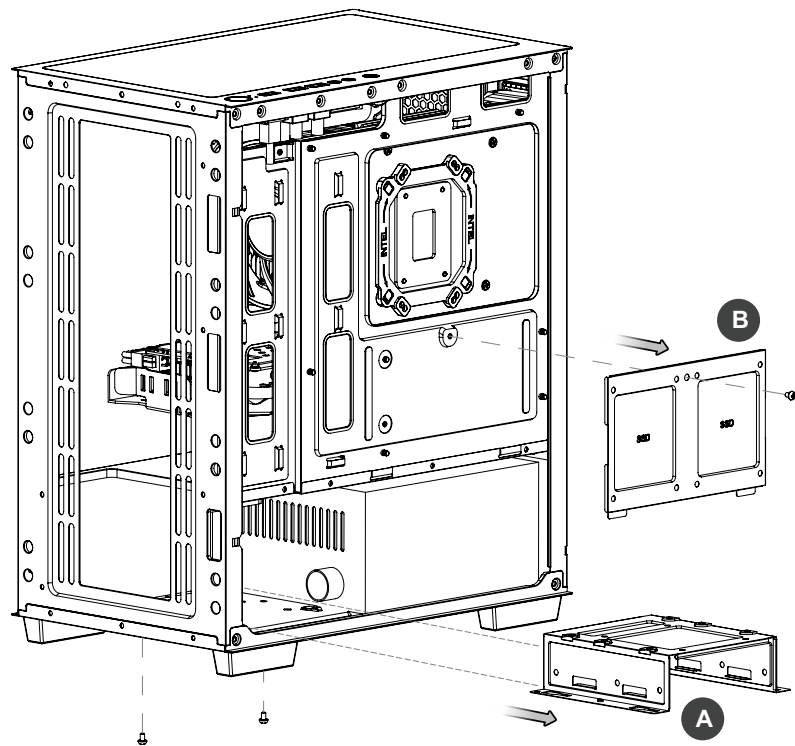
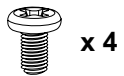
VGA max length: 330mm



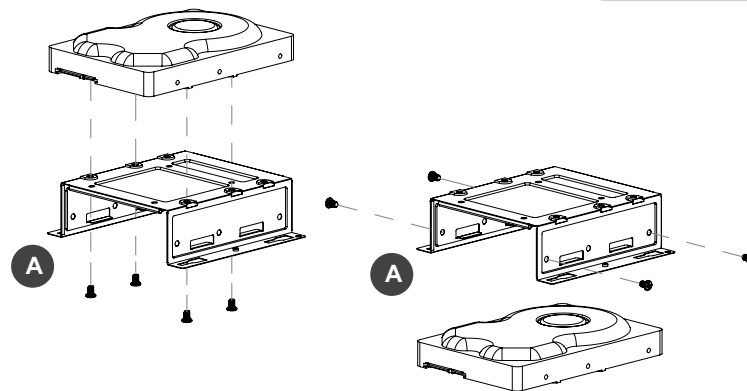
PSU length max length: 190 mm







3.5" HDD



SSD / 2.5" HDD

