

TR 100

User's Manual
Benutzerhandbuch
Mode d'emploi
Manual del usuario
Manuale dell'utente
Manual do Utilizador

安裝說明書
用戶手冊
ユーザーマニュアル
Руководство пользователя
kullanıcı elkitabı
(EEE Yönetmeliğine Uygundur)
คู่มือการใช้งาน



© 2024 Thermaltake Technology Co., Ltd. All Rights Reserved. 2024.11
All other registered trademarks belong to their respective companies. www.thermaltake.com



TT Premium



TT Premium

To continue achieving the corporate mission of delivering the perfect user experience, Thermaltake developed "TT Premium" with the essence of combining supreme quality products with a new logo design. TT Premium is far more than just a guarantee of quality. Behind the name, it represents the passion in DIY, Modding and Thermaltake's desire to be the most innovative brand in the PC hardware market. To satisfy the demand of the high-end PC users, TT Premium follows its core values of Excellent Quality, Unique Design, Diverse Combinations and Boundless Creativity to provide a high performance PC product for every enthusiast. <http://tppremium.com>

Tt LCS-Liquid Cooling Support Certification



Tt LCS Certified is a Thermaltake exclusive certification applied to only products that pass the design and hardcore enthusiasts standards that a true LCS chassis should be held to. The Tt LCS certification was created so that we at Thermaltake can designate to all power users which chassis have been tested to be best compatible with extreme liquid cooling configurations to ensure you get the best performance from the best features and fitment.

Join Tt Community To Receive Benefits



Dear Valued Customer,
Thank you for choosing Thermaltake.
As a new user we value your thoughts and opinions and your feedback is important to us. We at Thermaltake would like to use this opportunity to invite you to join our Community Forums. Register today to start enjoying the full benefits of our community.



Benefits of being a member:

- Quick and responsive user support
- Receive help and advice with new builds
- Keep up to date with new product releases
- Share your thoughts and builds with the community
- Enter monthly contests and giveaways

Brand official website
<http://www.thermaltake.com/>

Global Facebook
<https://www.facebook.com/ThermaltakeInc>

Taiwan Facebook
<http://www.facebook.com/ThermaltakeTW>

Global community forums
<http://community.thermaltake.com>

CONTENTS


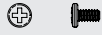

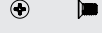
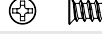
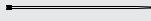

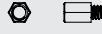
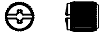


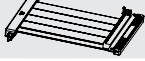
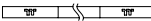
Chapter 1. Product Introduction

1.0	Specification	01
1.1	Accessory	02
1.2	Warning and Notice	03

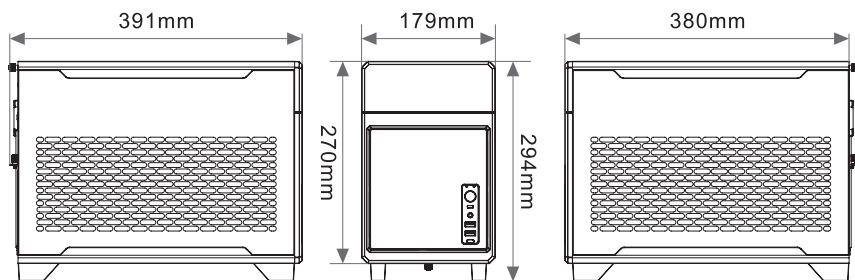
Chapter 2. Installation Guide

2.0	Remove Components	06
2.1	Power Supply Unit (PSU) Installation	07
2.2	Motherboard Installation	08
2.3	2.5" HDD Installation	09
2.4	VGA Installation	10
2.5	Air Cooling Installation	12
2.6	AIO Liquid Cooling Installation	13
2.7	I/O Connection	14
2.8	Remove Filters	15

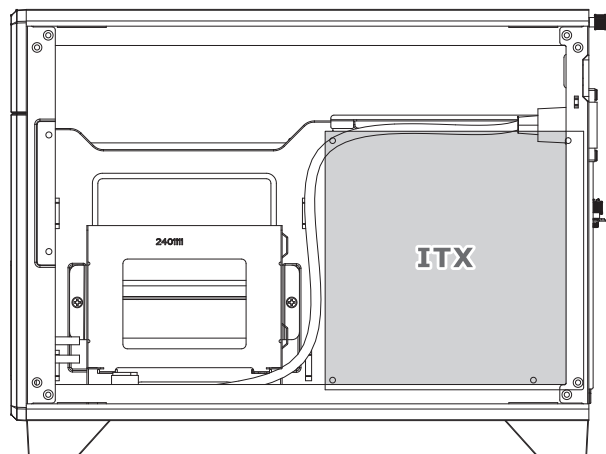
Case Type	Mini Case		
Dimension (H*W*D)	294 x 179 x 391 mm (11.58 x 7.05 x 15.39 inch)		
Side Panel	Steel		
Material	SPCC		
Cooling System	-		
Drive Bays	2 x 2.5" or 1 x 2.5"		
Expansion Slots	3		
Motherboards	6.7" x 6.7" (Mini ITX)		
I/O Port	USB 3.2 (Gen 2) Type-C x 1, USB 3.0 x 2, HD Audio x 1		
PSU	SFX / SFX-L (optional)		
Fan Support	Top	2 x 120 mm, 1 x 120 mm	2 x 140 mm, 1 x 140 mm
Radiator Support	Top (AIO)	1 x 240 mm, 1 x 120 mm	1 x 280 mm, 1 x 140 mm
Clearances	CPU cooler height limitation	68 mm	
	VGA length limitation	360 mm	
	VGA Width limitation	70 mm	
	PSU length limitation	130 mm	

Figure	Part Name	Q'ty	Use For
	Screw #6-32 x 6 mm	4	Power Supply
	Screw #6-32 x 6 mm	10	Motherboard / PCI-E Bracket / Riser Cable
	Screw M3 x 5 mm	8	2.5" SSD / HDD
	Screw #6-32 x 6 mm	6	PCI-E Bracket / Fan Bracket
	Screw T5 x 10 mm	8	Case Fan
	Zip Ties	10	Cable Management
	Buzzer	1	Motherboard Alarm
	Stand-off #6-32 x 6.5 mm	3	Motherboard
	Nut Setter	1	Stand-off Installation
	Front Panel	1	LCD Display
	VGA Clamp	1	VGA Stabilization
	PCI-E 4.0 Riser Cable 220mm	1	VGA
	Velcro-1 meter	1	Cable Management

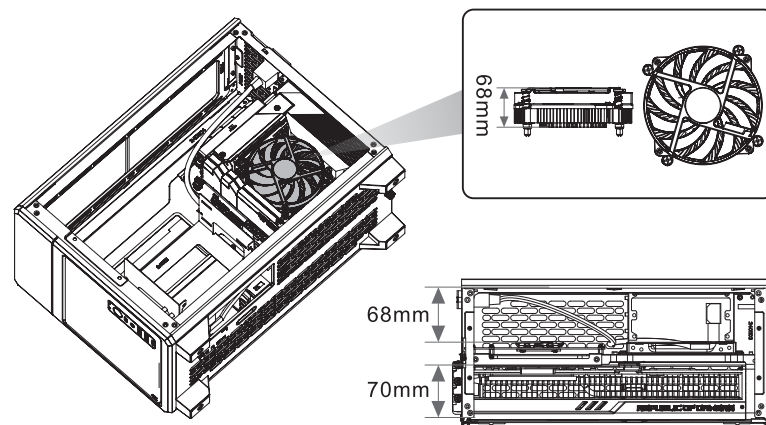
Chassis dimension



Motherboard compatibility: ITX

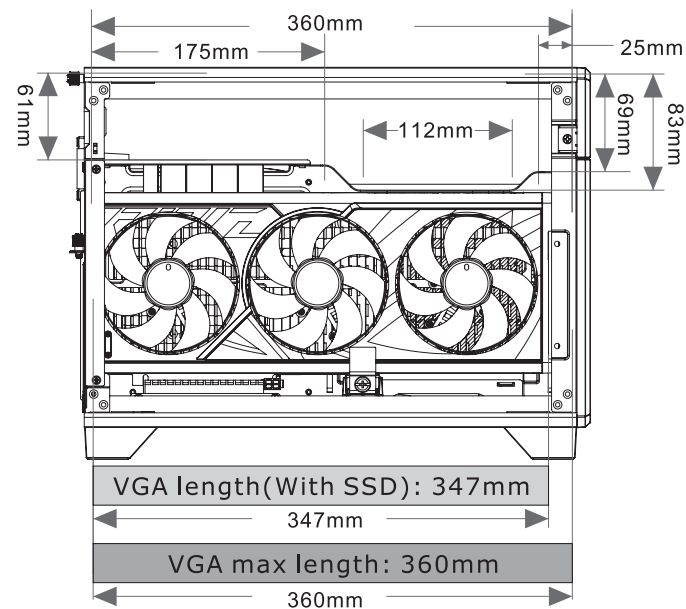


CPU cooler max height: 68mm

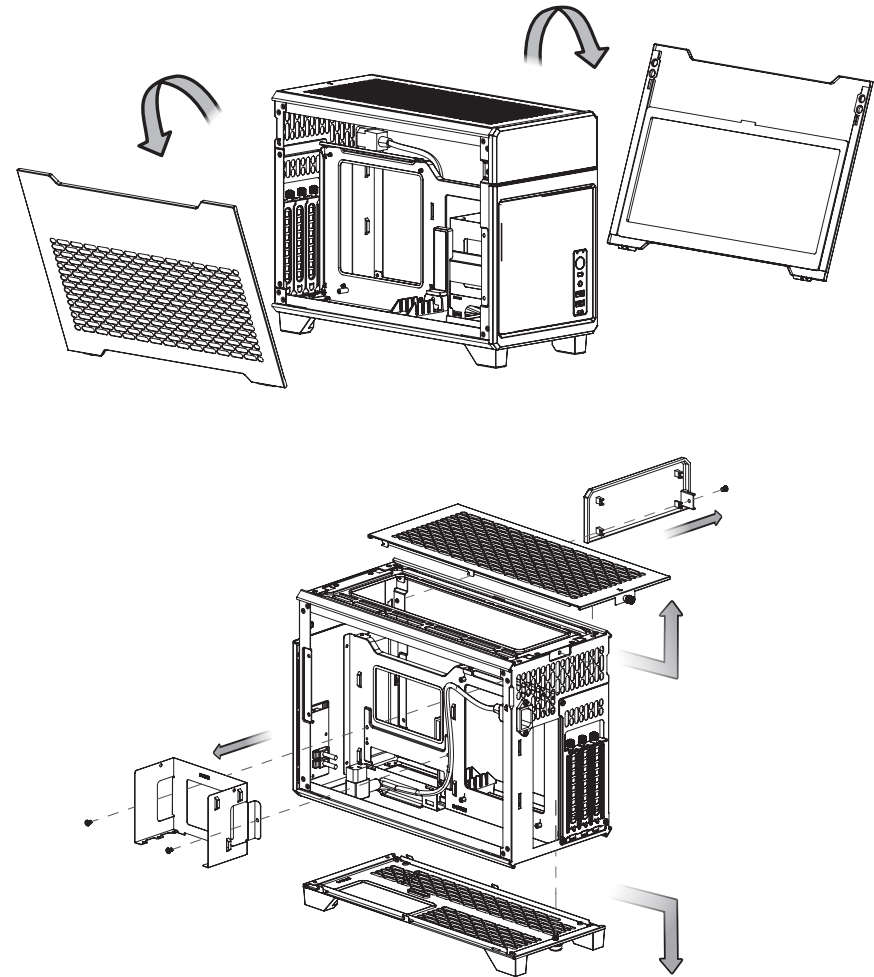
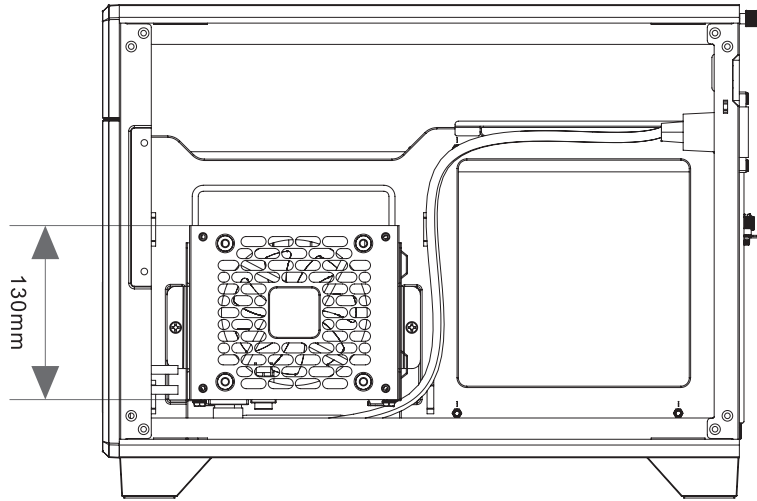


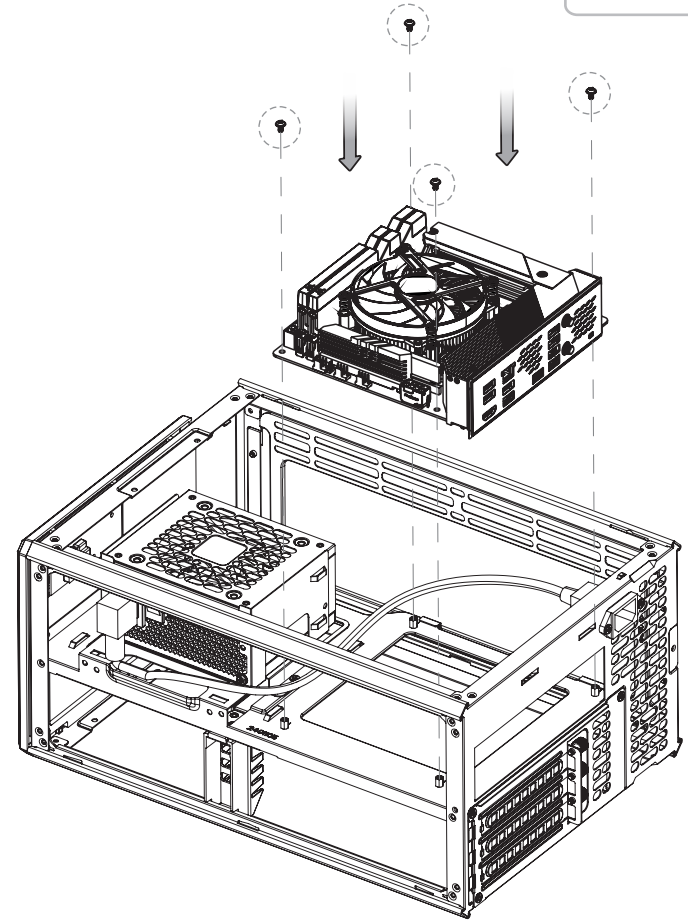
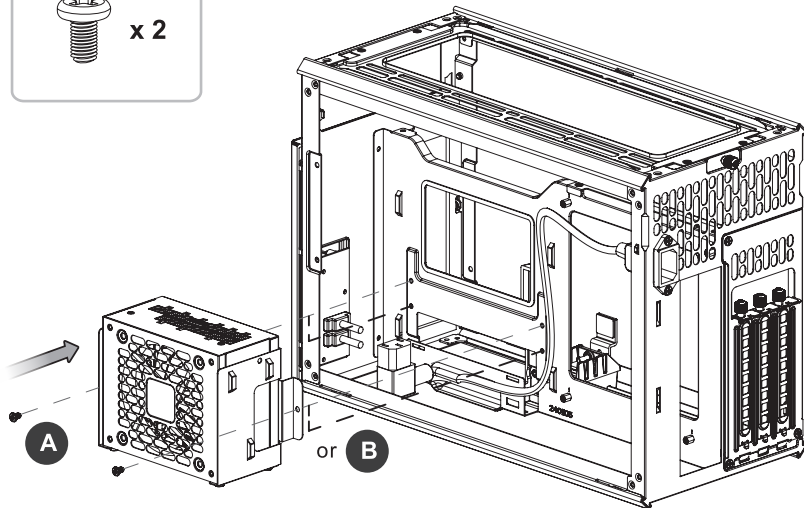
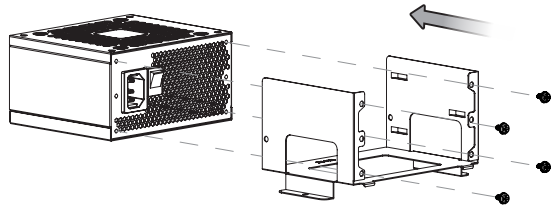
VGA max height: 70mm

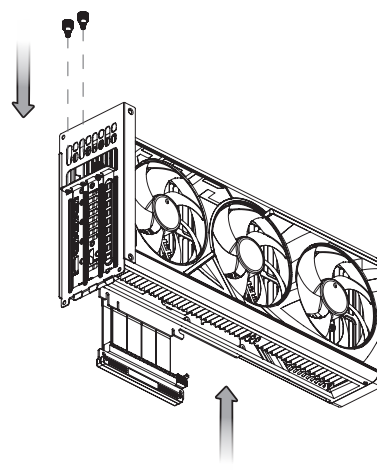
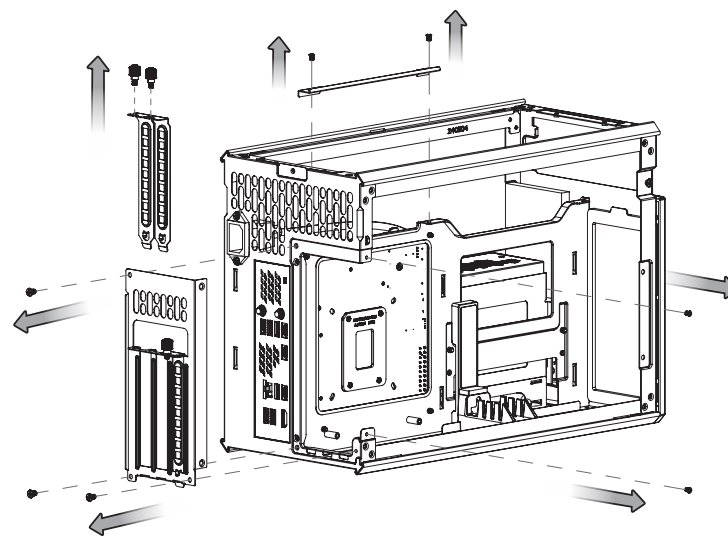
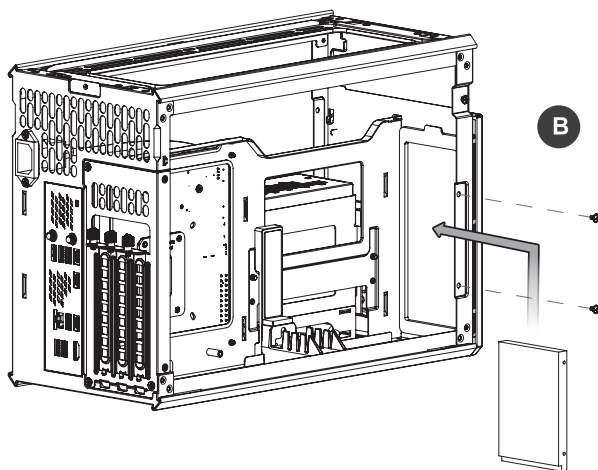
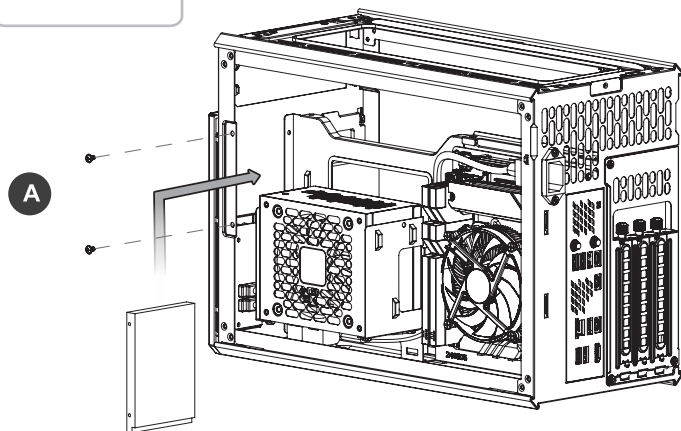
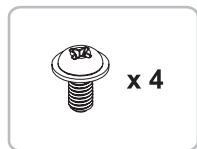
VGA max length: 360mm

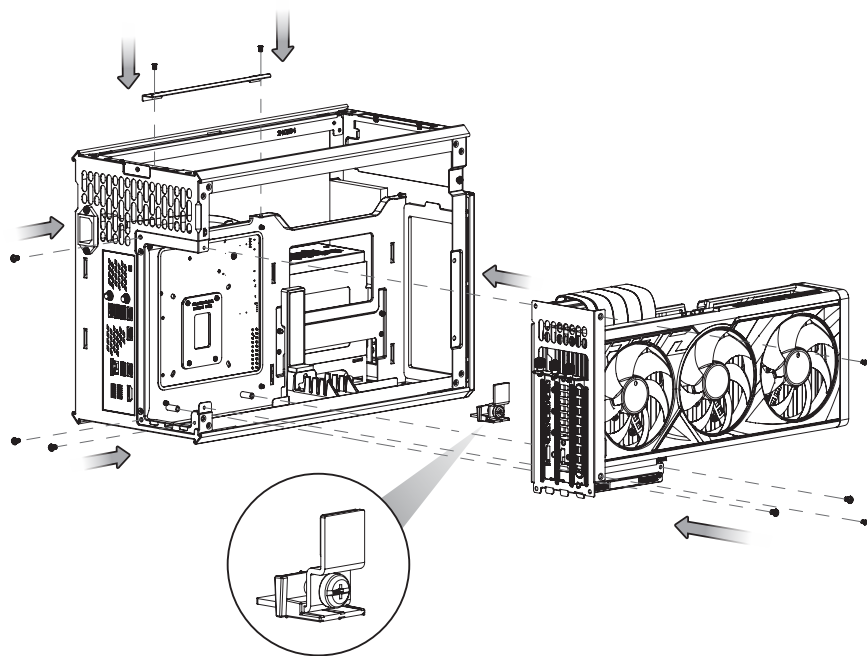


PSU max length: 130 mm

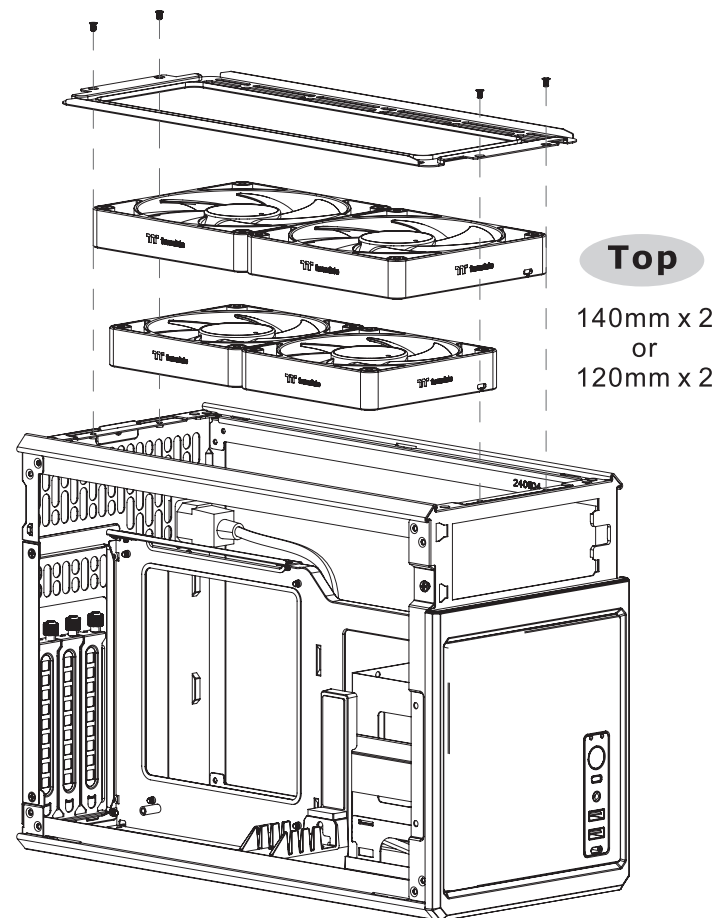








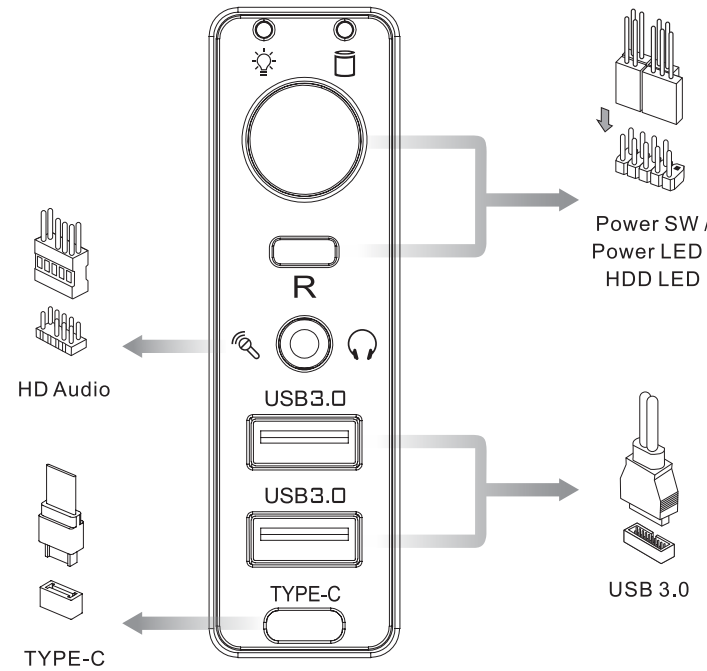
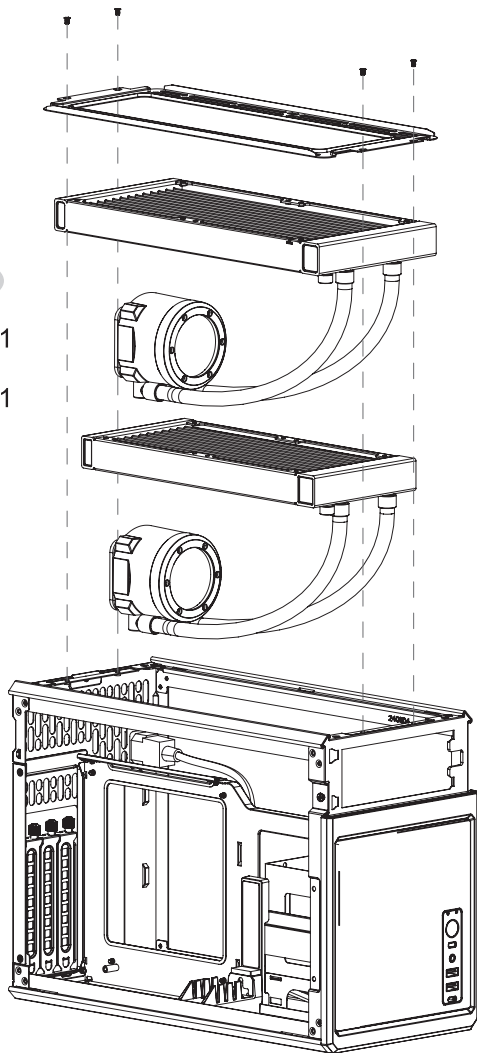
VGA Thickness Tolerance: 48-70mm



Top

140mm x 2
or
120mm x 2

Top
280mm x 1
or
240mm x 1



Motherboard Header Diagram

