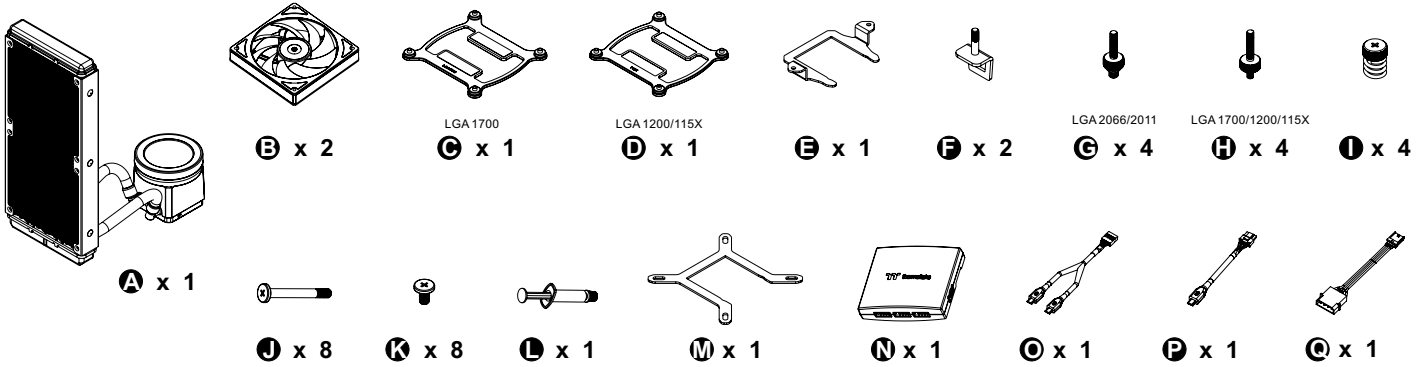
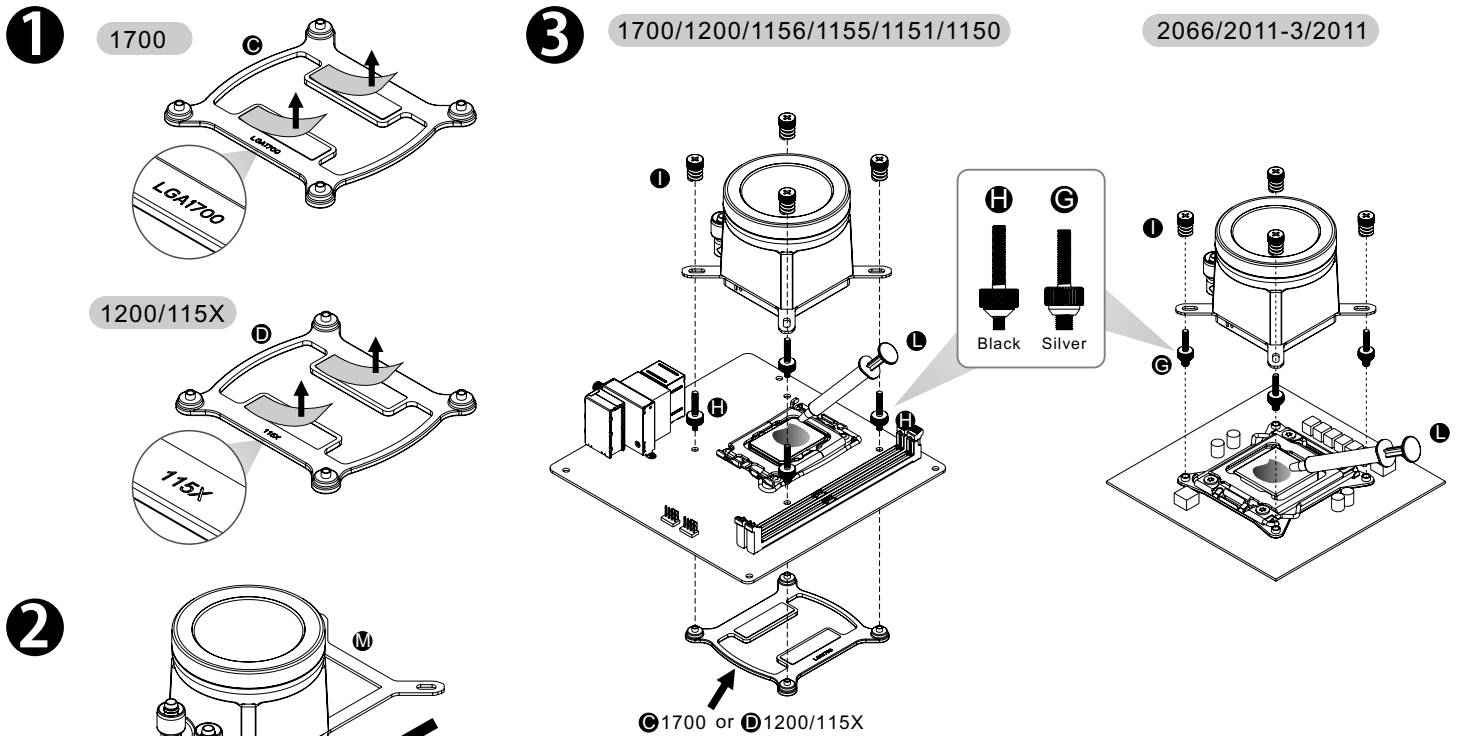




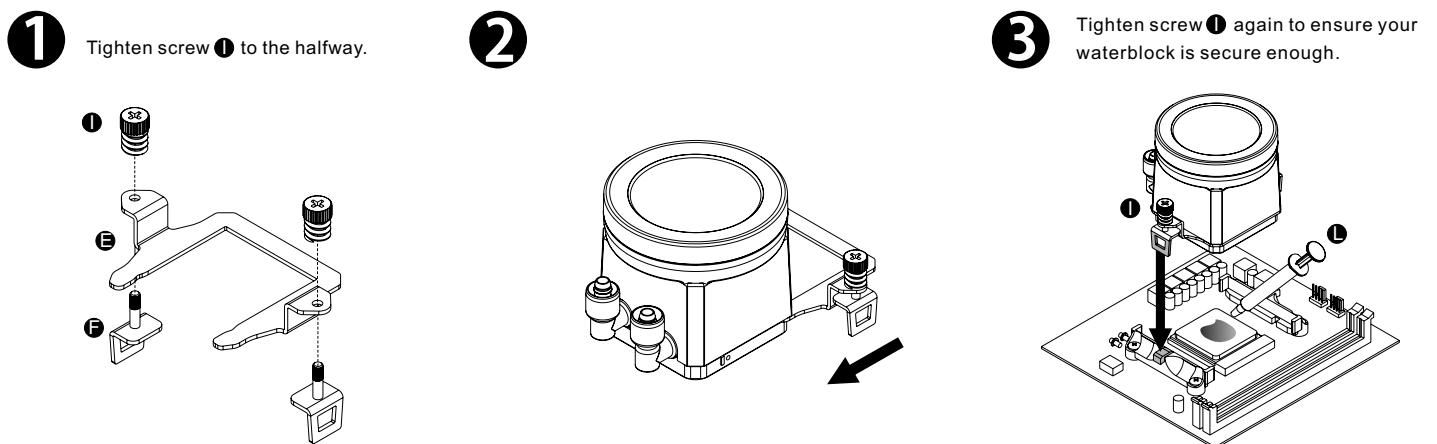
### Parts List



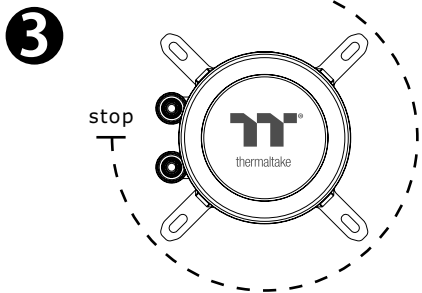
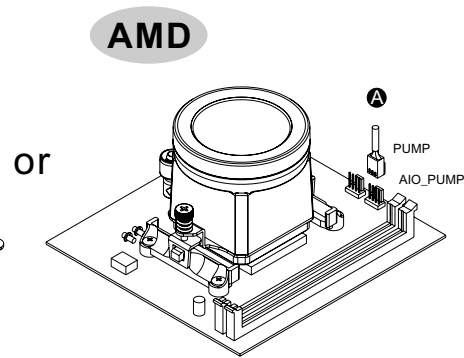
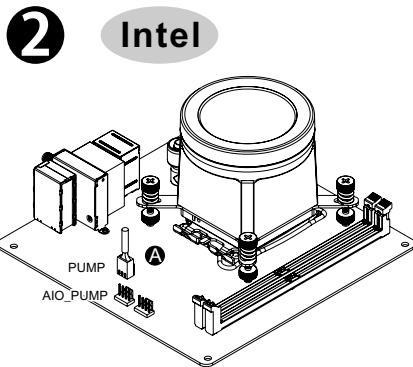
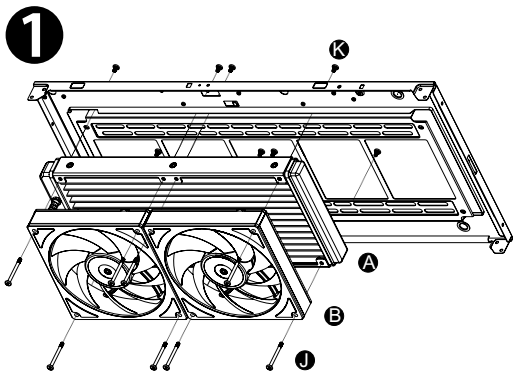
### Intel Installation Guide



### AMD Installation Guide

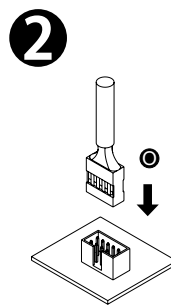
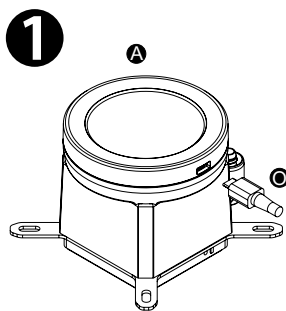


# Installation Guide



Adjust the display to fit your PC build in clockwise rotation

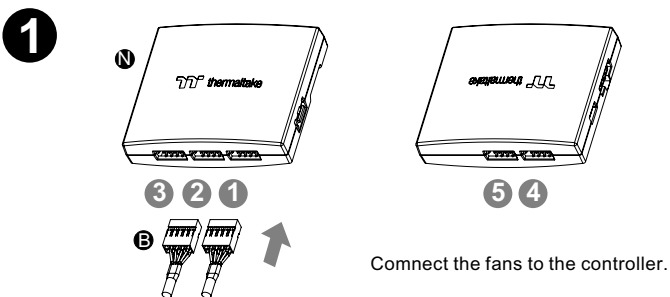
## LCD Display Setup Guide



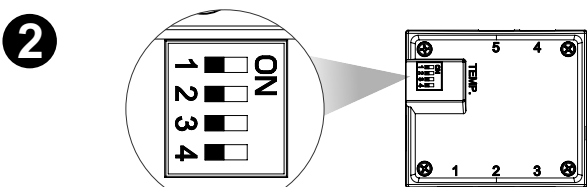
### CAUTION

To control the LCD display by TT RGB PLUS Software, please connect the water block and motherboard with cable O.

## Controller Installation Guide

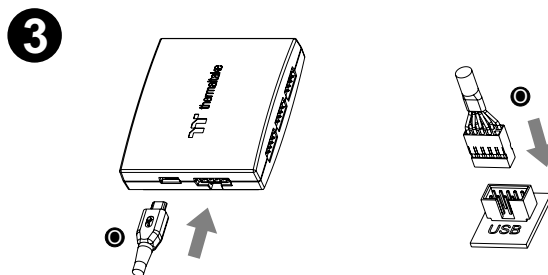


Connect the fans to the controller.

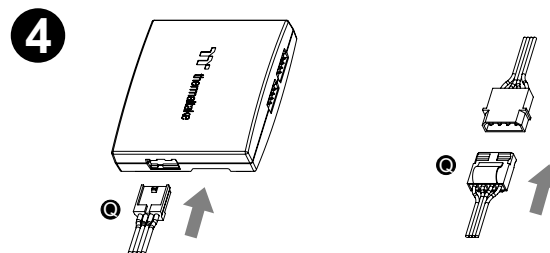


Set the DIP switch on the back side of the controller to assign the number of the controller

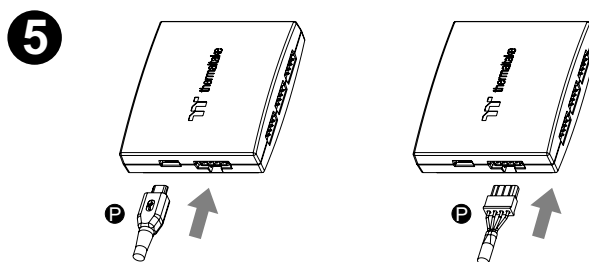
<b>NO.1</b> ON 	<b>NO.2</b> ON 	<b>NO.3</b> ON 	<b>NO.4</b> ON 
<b>NO.5</b> ON 	<b>NO.6</b> ON 	<b>NO.7</b> ON 	<b>NO.8</b> ON 
<b>NO.9</b> ON 	<b>NO.10</b> ON 	<b>NO.11</b> ON 	<b>NO.12</b> ON 
<b>NO.13</b> ON 	<b>NO.14</b> ON 	<b>NO.15</b> ON 	<b>NO.16</b> ON 



Connect the controller cable onto the motherboard (USB 2.0 9 pin) and controller.



Connect the power cable to the 4pin Molex connector and controller.



If you want to connect two or more controllers, you can sync the controllers with the bridge connector.