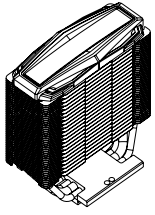
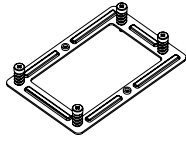




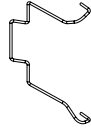
Parts List



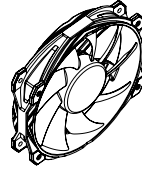
A x 1



B x 1



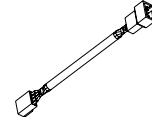
C x 2



D x 1



E x 2



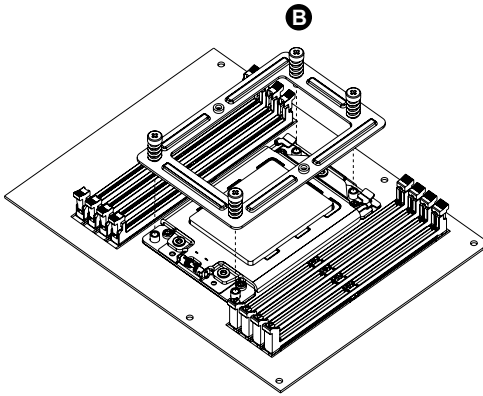
F x 1



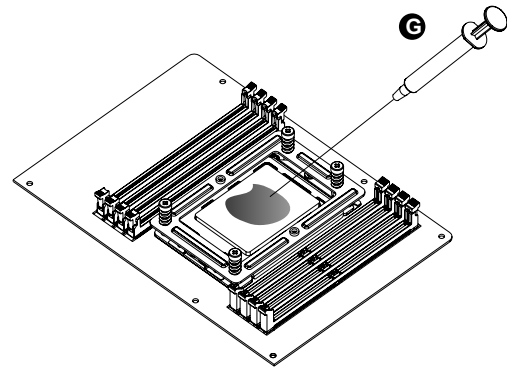
G x 1

Installation Guide

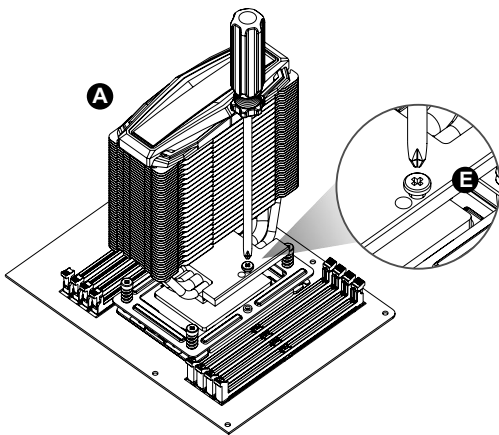
1



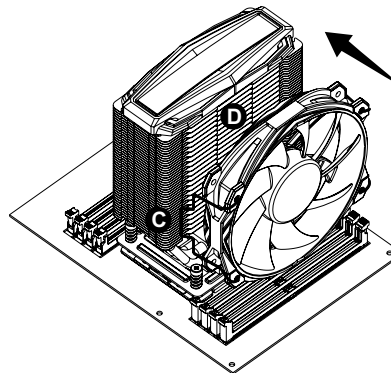
2



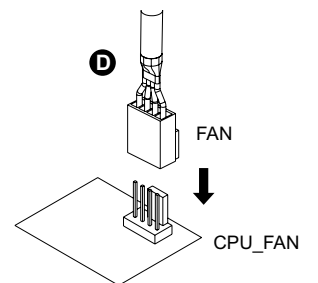
3



4



5



You could select offset installation to achieve a better gap of PCIe slot