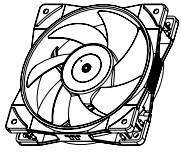




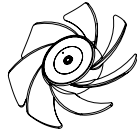
## Parts List



**A x 1**  
Fan & High Air Pressure Fan Blade



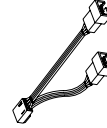
**B x 1**  
High Air Flow Fan Blade



**C x 1**  
Reverse High Air Flow Fan Blade



**D x 1**  
Bearing Lubricant



**E x 1**  
Bridge Cable



**F x 4**  
Long Screw



**G x 4**  
Short Screw

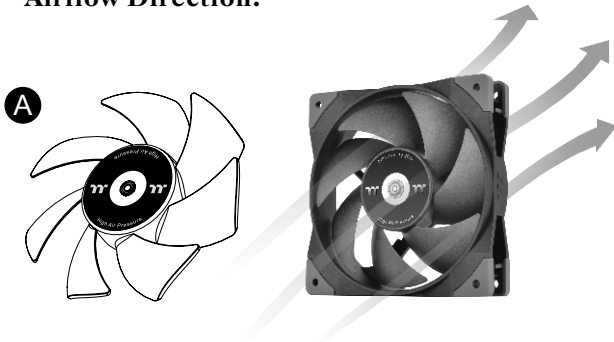
## Installation Guide

### 1 Choose your fan blade type

#### High Air Pressure Fan Blade

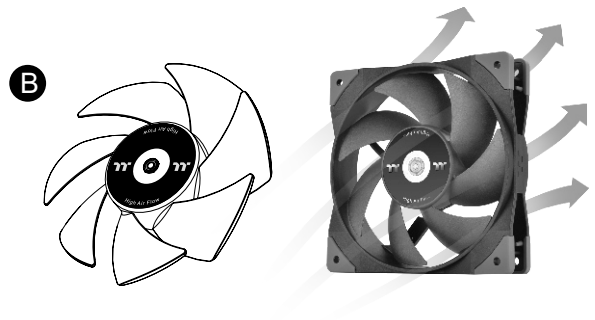
(Pre installed on the fan **A**)

Airflow Direction:



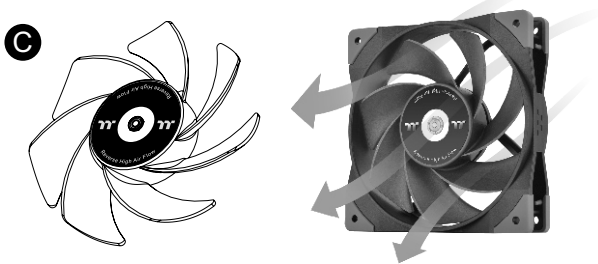
#### High Air Flow Fan Blade

Airflow Direction:

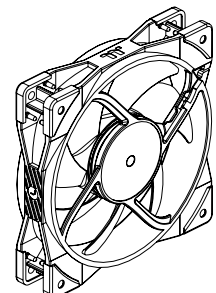
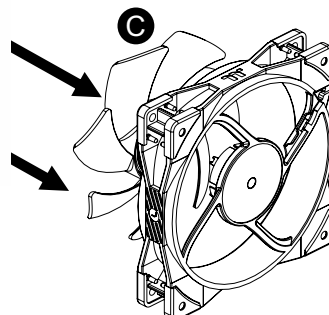
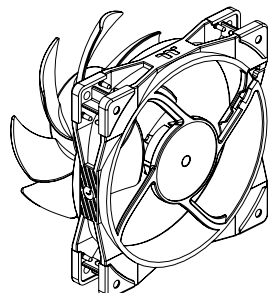
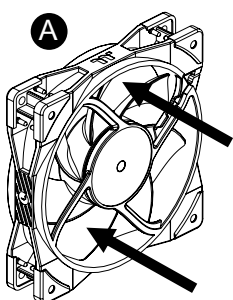


#### Reverse High Air Flow Fan Blade

Airflow Direction:

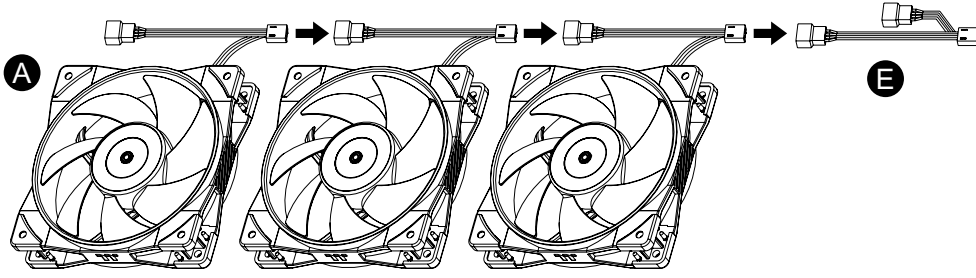


### 2 Replace fan blades



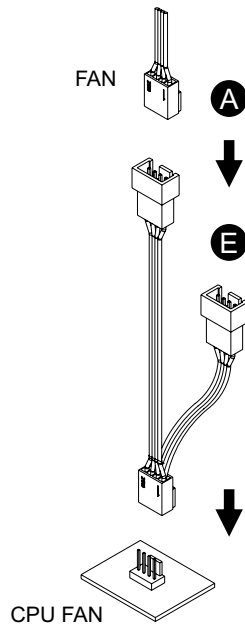
# Installation Guide

3

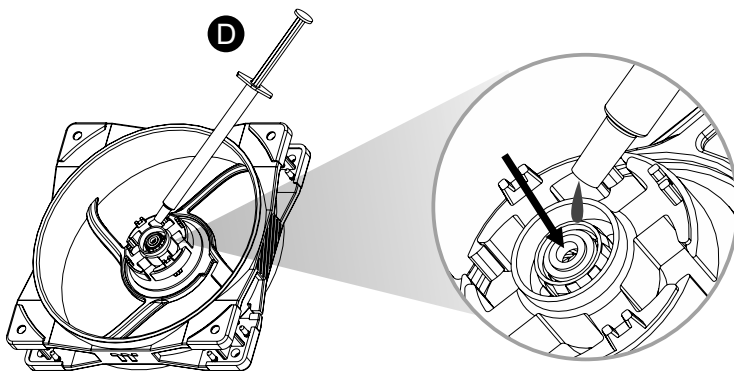


Requires extra SWAFAN GT fans (sold separately)

4



# Lubricant Setup Guide



After replacing the fan blades several times,  
re-add the lubricant into the bearing (about 0.1ml)