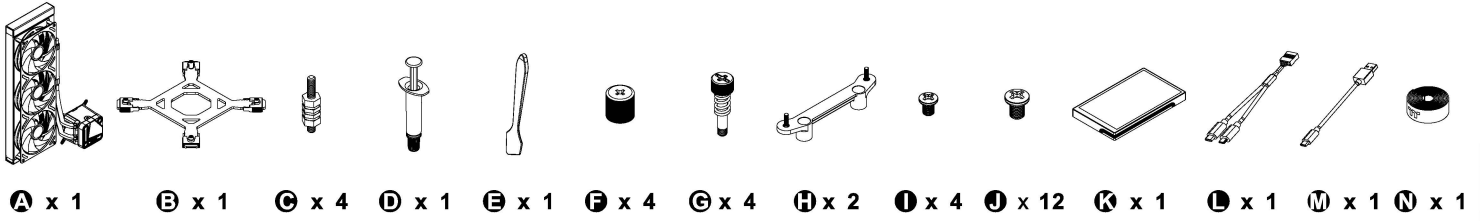


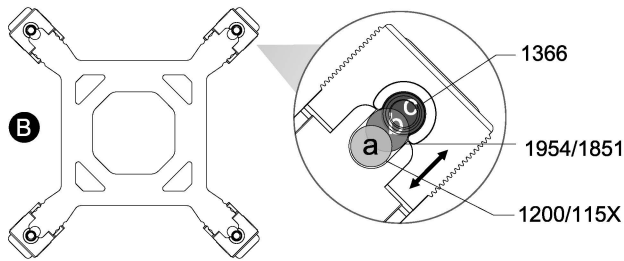


Parts List

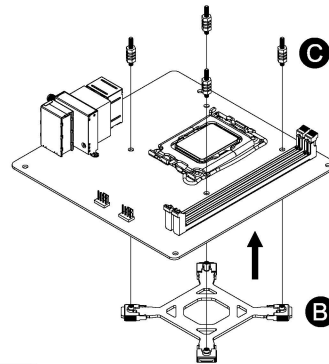


Intel Installation Guide

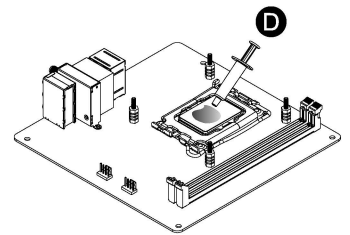
**1**    a 1200/115X    b 1954/1851    c 1366



**2**    1954/1851/1700/1366/1200/115X



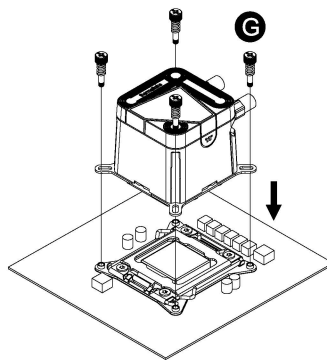
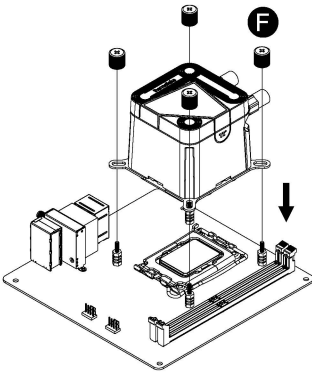
**3**



**NOTE** : Apply the thermal paste evenly with a spatula **E** for better cooling performance.

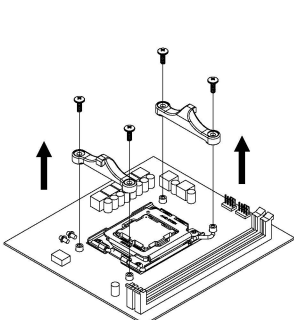
**4**    1954/1851/1700/1366/1200/115X

2066/2011-3/2011

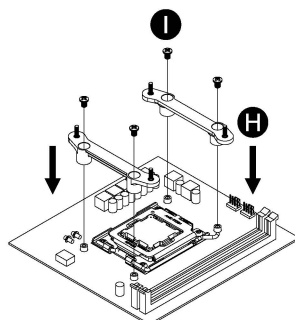


AMD Installation Guide

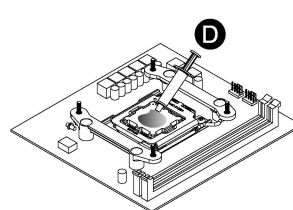
**1**



**2**

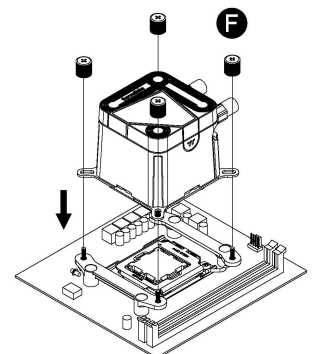


**3**

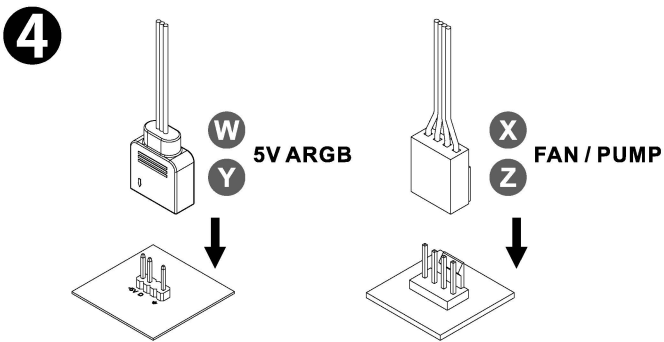
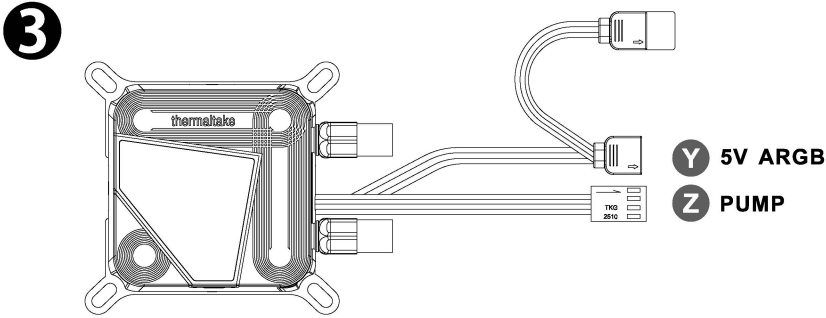
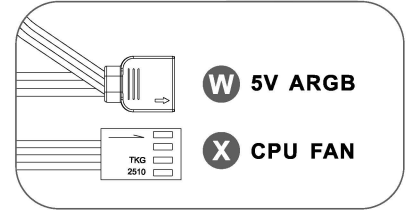
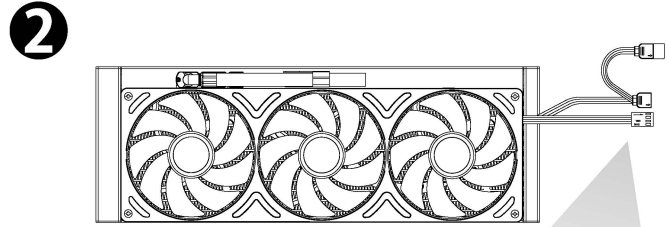
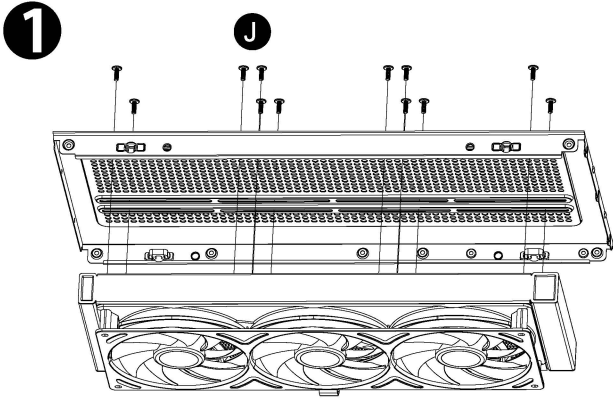


**NOTE** : Apply the thermal paste evenly with a spatula **E** for better cooling performance.

**4**

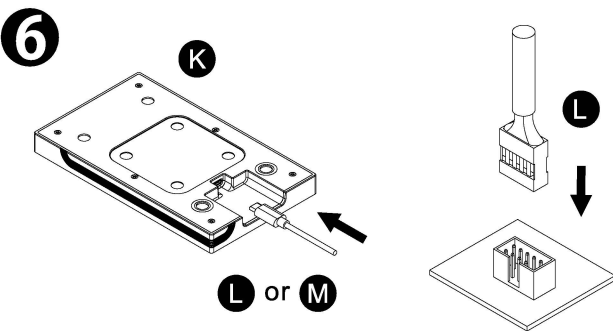
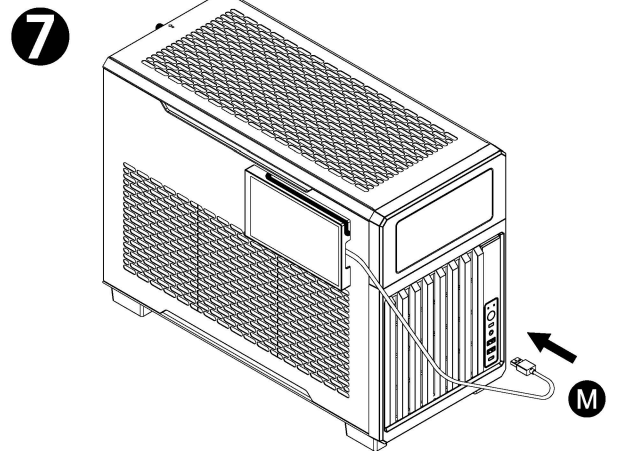
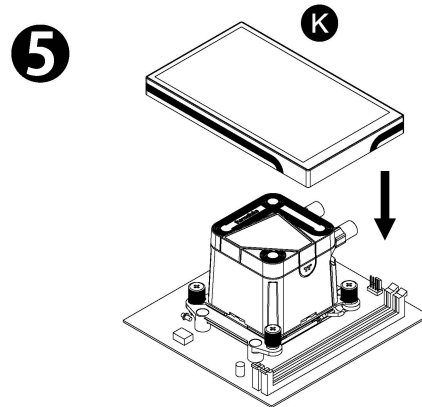


# Installation Guide



**⚠ CAUTION**

Please power off the PC and check the Positive and Negative ends on the connector before connecting the cable to mainboard. Connecting the wrong end can damage the fans.



**⚠ CAUTION**

To control the LCD display by TT RGB PLUS Software, Please connect the water block and motherboard with cable L.

**⚠ Extra information**

Attaching the Monitor to the Chassis via Magnetism. Please connect the I/O Ports USB with cable M.