

S200 TG ARGB

User's Manual
Benutzerhandbuch
Mode d'emploi
Manual del usuario
Manuale dell'utente
Manual do Utilizador

安裝說明書
用戶手冊
ユーザーズマニュアル
Руководство пользователя
kullanıcı elkitabı
(EEE Yönetmeliğine Uygundur)
คู่มือการใช้งาน



© 2023 Thermaltake Technology Co., Ltd. All Rights Reserved. 2023.04
All other registered trademarks belong to their respective companies. www.thermaltake.com



TT Premium



TT Premium

To continue achieving the corporate mission of delivering the perfect user experience, Thermaltake developed "TT Premium" with the essence of combining supreme quality products with a new logo design. TT Premium is far more than just a guarantee of quality. Behind the name, it represents the passion in DIY, Modding and Thermaltake's desire to be the most innovative brand in the PC hardware market. To satisfy the demand of the high-end PC users, TT Premium follows its core values of Excellent Quality, Unique Design, Diverse Combinations and Boundless Creativity to provide a high performance PC product for every enthusiast. <http://tppremium.com>

Tt LCS-Liquid Cooling Support Certification



Tt LCS Certified is a Thermaltake exclusive certification applied to only products that pass the design and hardcore enthusiasts standards that a true LCS chassis should be held to. The Tt LCS certification was created so that we at Thermaltake can designate to all power users which chassis have been tested to be best compatible with extreme liquid cooling configurations to ensure you get the best performance from the best features and fitment.

Join Tt Community To Receive Benefits



Dear Valued Customer,
Thank you for choosing Thermaltake.
As a new user we value your thoughts and opinions and your feedback is important to us. We at Thermaltake would like to use this opportunity to invite you to join our Community Forums. Register today to start enjoying the full benefits of our community.



Benefits of being a member:

- Quick and responsive user support
- Receive help and advice with new builds
- Keep up to date with new product releases
- Share your thoughts and builds with the community
- Enter monthly contests and giveaways

Brand official website
<http://www.thermaltake.com/>

Global Facebook
<https://www.facebook.com/ThermaltakeInc>

Taiwan Facebook
<http://www.facebook.com/ThermaltakeTW>

Global community forums
<http://community.thermaltake.com>

CONTENTS








Chapter 1. Product Introduction

1.0	Specification	01
1.1	Accessory	02
1.2	Warning and Notice	03

Chapter 2. Installation Guide

2.0	Remove Components	06
2.1	Power Supply Unit (PSU) Installation	07
2.2	Motherboard Installation	08
2.3	3.5" & 2.5" HDD Installation	09
2.4	PCI Card Installation	11
2.5	Air Cooling Installation	12
2.6	AIO Liquid Cooling Installation	13
2.7	I/O Connection	14
2.8	ARGB Control Instruction	15
2.9	Remove Filters	16

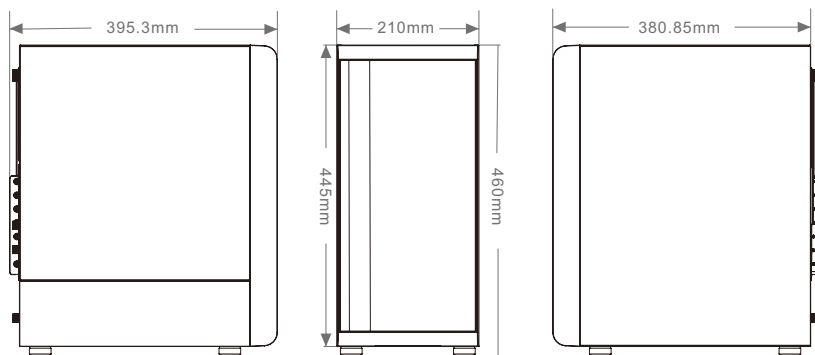
Case Type	Mid Tower		
Dimension (H*W*D)	460 x 210 x 395.3 mm (18.11 x 8.27 x 15.56 inch)		
Side Panel	Tempered Glass x 1		
Material	SPCC		
Cooling System	Front (intake): 120 x 120 x 25 mm ARGB Lite fan (1000 rpm, 22.3 dBA) x 3 Rear (exhaust): 120 x 120 x 25 mm ARGB Lite fan (1000 rpm, 22.3 dBA) x 1		
Drive Bays	2 x 3.5", 2 x 2.5" or 1 x 3.5", 3 x 2.5"		
Expansion Slots	7		
Motherboards	6.7" x 6.7" (Mini ITX), 9.6" x 9.6" (Micro ATX), 12" x 9.6" (ATX)		
I/O Port	USB 3.0 x 2, HD Audio x 1		
PSU	Standard PSU 80+Bronze		
Fan Support	Front	3 x 120 mm, 2 x 120 mm, 1 x 120 mm	2 x 140 mm, 1 x 140 mm
	Top	2 x 120 mm, 1 x 120 mm	2 x 140 mm, 1 x 140 mm
	Rear	1 x 120 mm	
Radiator Support	Front	1 x 360 mm, 1 x 240 mm, 1 x 120 mm	1 x 280 mm, 1 x 140 mm
	Top	1 x 240 mm, 1 x 120 mm	
	Rear	1 x 120 mm	
Clearances	CPU cooler height limitation	166 mm	
	VGA length limitation	300 mm (With radiator) 330 mm (Without radiator)	
	PSU length limitation	190 mm (With HDD Cage)	

Figure	Parts Name	Q'ty	Used for
	Stand-off #6-32 x 6mm	3	Motherboard
	Screw #6-32 x 6mm	6	Power
	Screw M3 x 5mm	17	SSD / 2.5" HDD / Motherboard
	Screw #6-32 x 5mm	8	3.5" HDD
	Net Setter	1	Motherboard Stand-off
	Buzzer	1	Motherboard Alarm
	Cable Tie	5	Cable Management

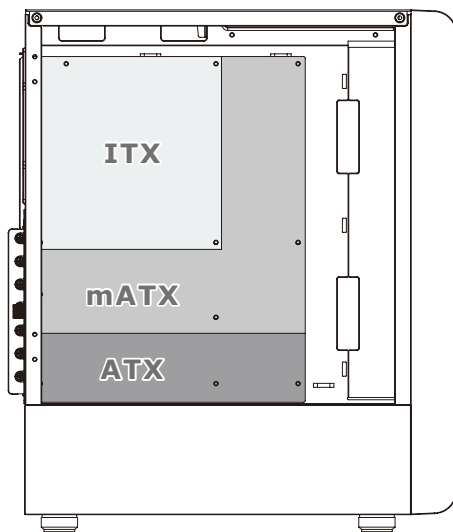
For ARGB Lite Version Only

Figure	Parts Name	Q'ty	Used For
	Fan Splitter	1	Case Fan

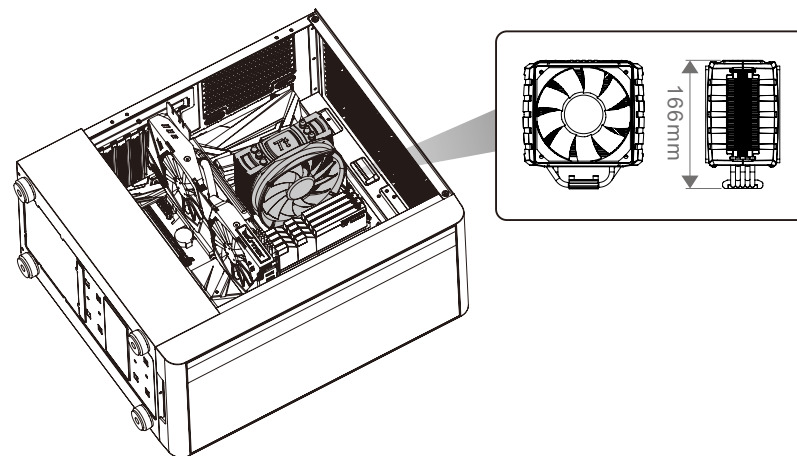
Chassis dimension



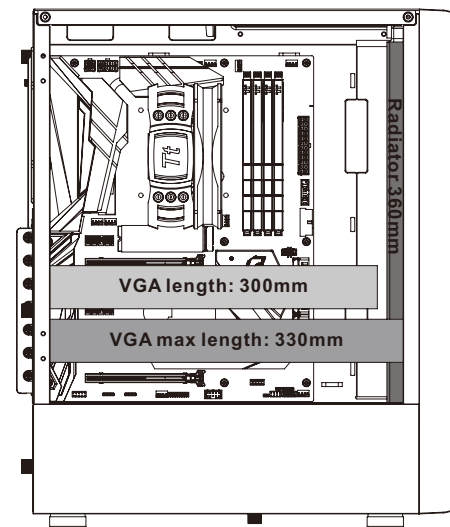
Motherboard Compatibility: ITX / mATX / ATX
(Up to 244mm wide)



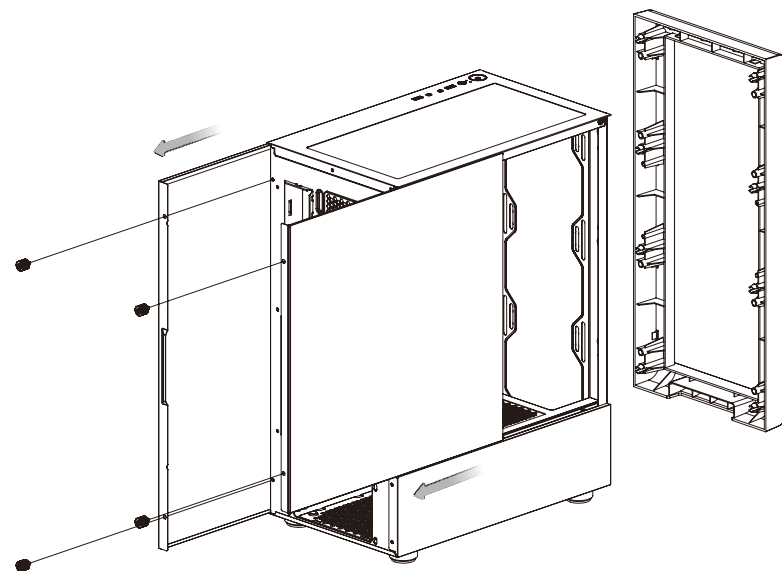
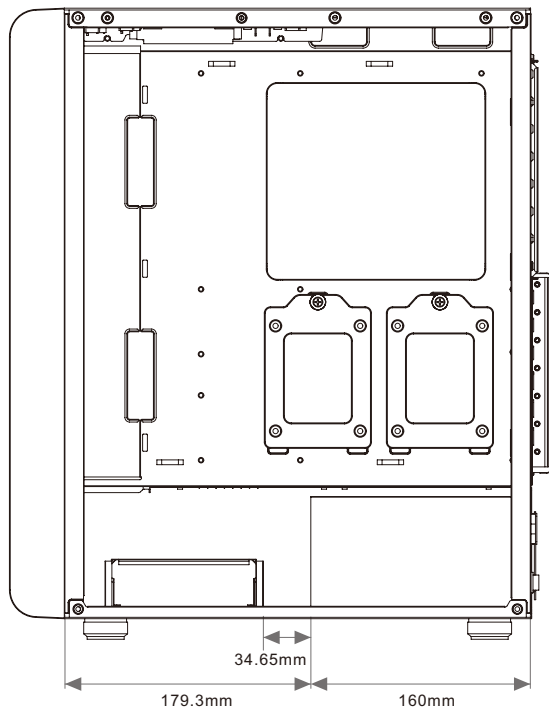
CPU cooler max height: 166mm



VGA max length: 330mm

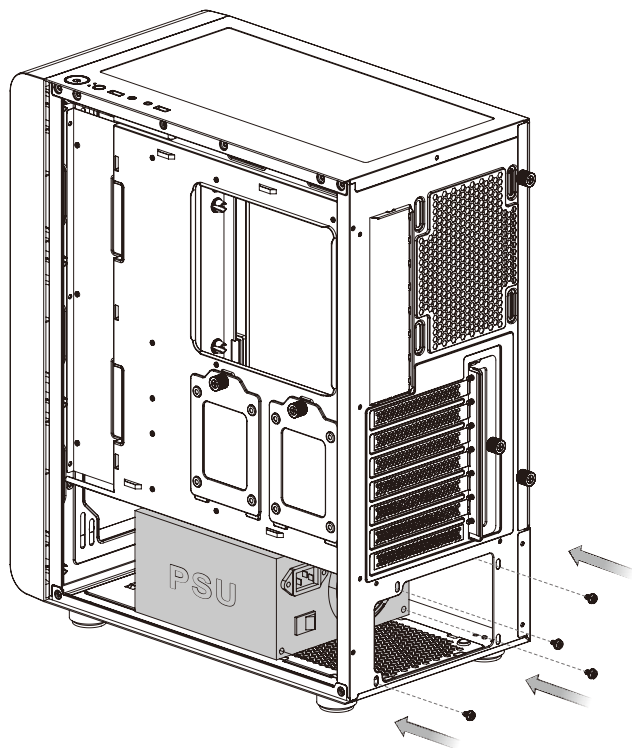


PSU max length: 190mm

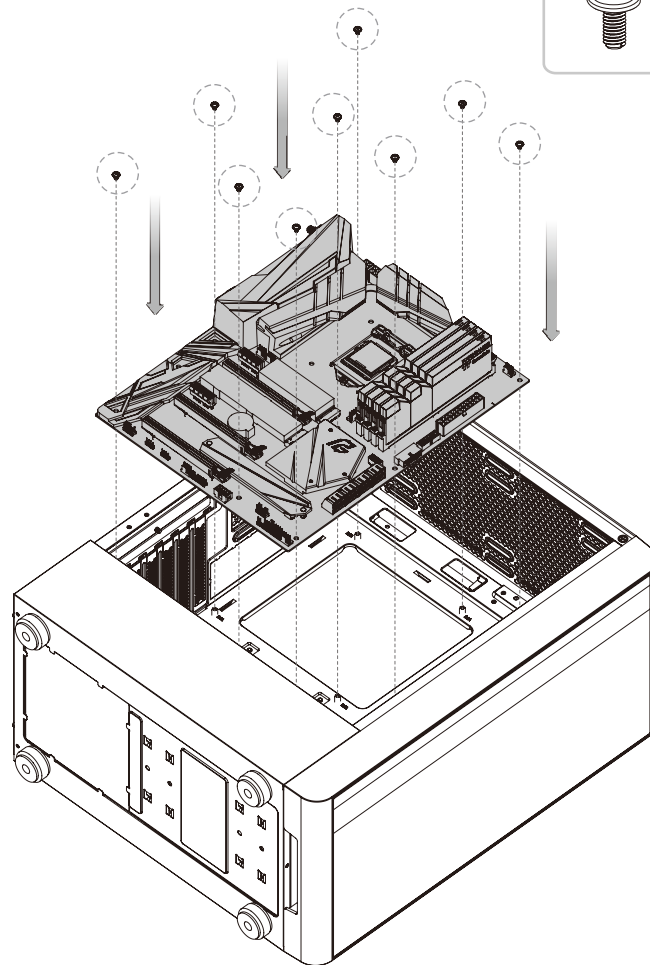


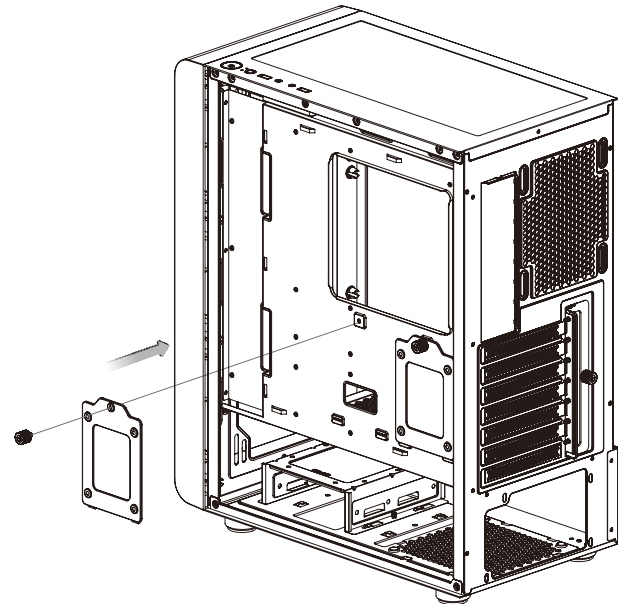
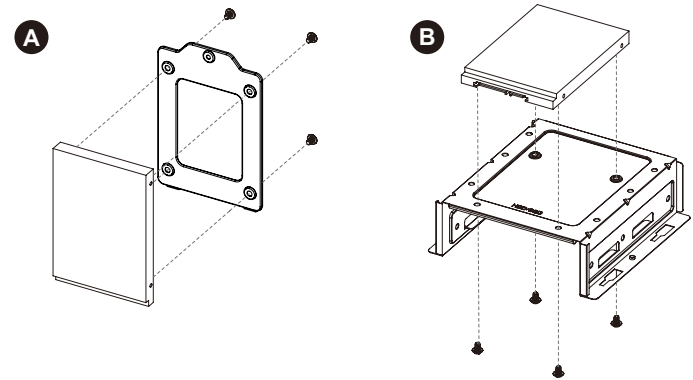
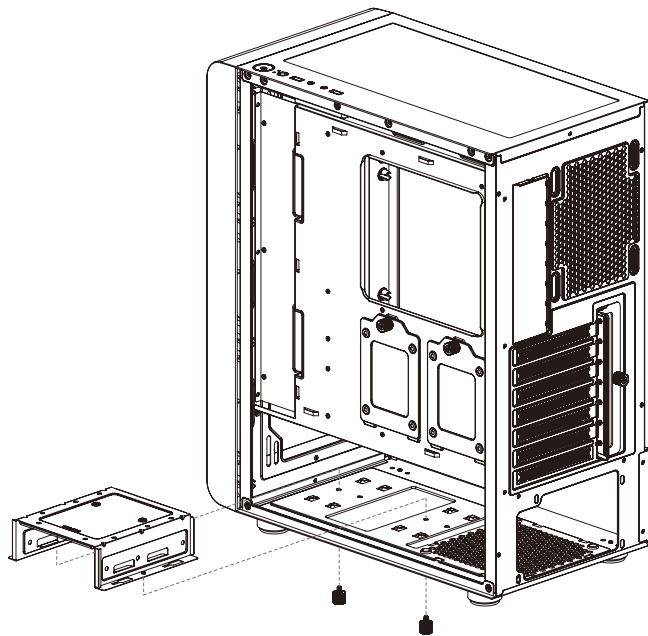
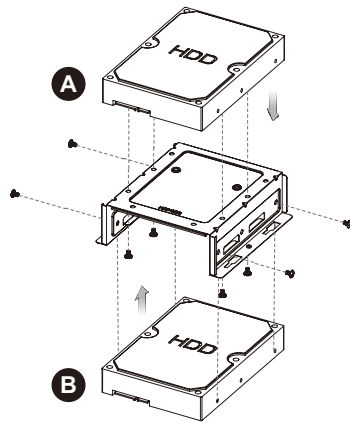


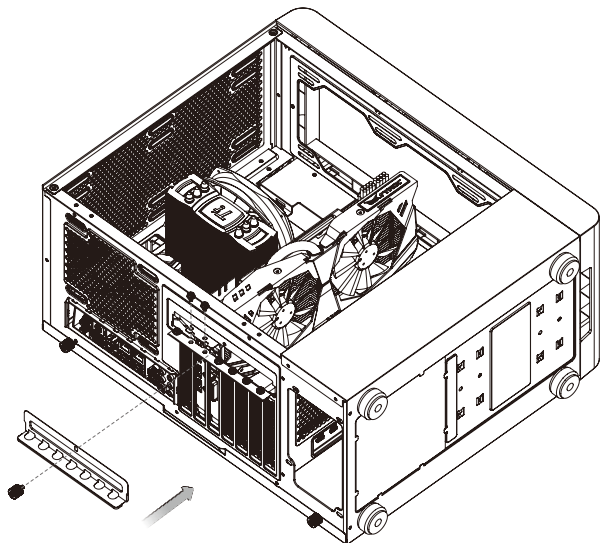
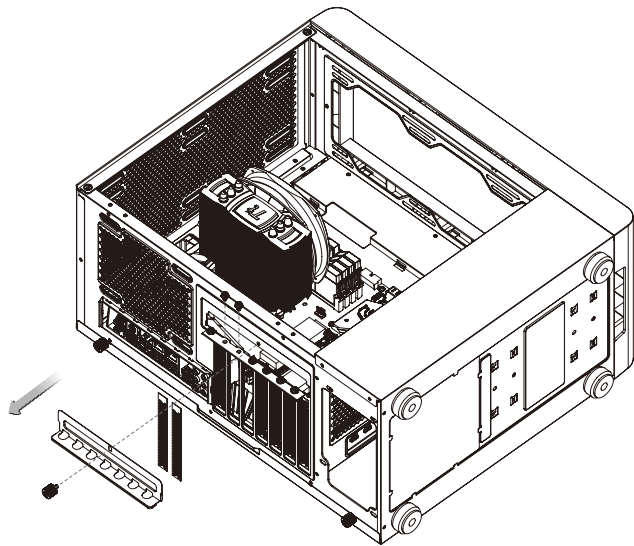
x 4



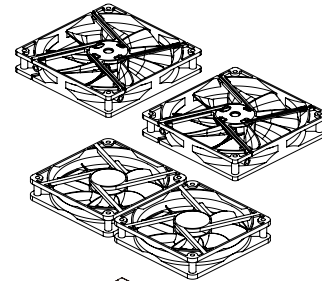
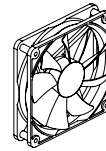
x 9





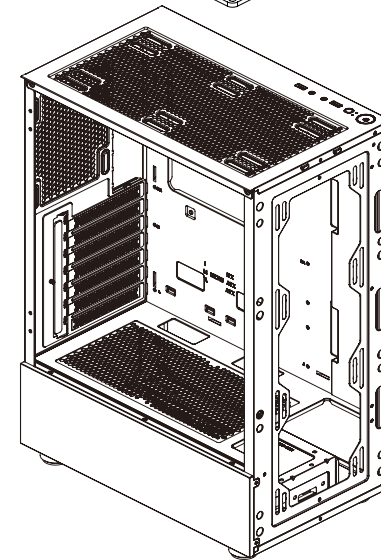


Rear
120mm x 1



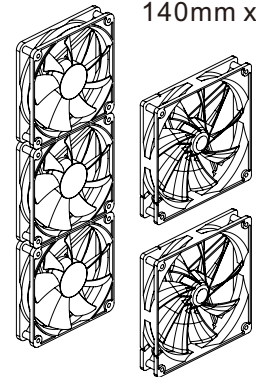
Top

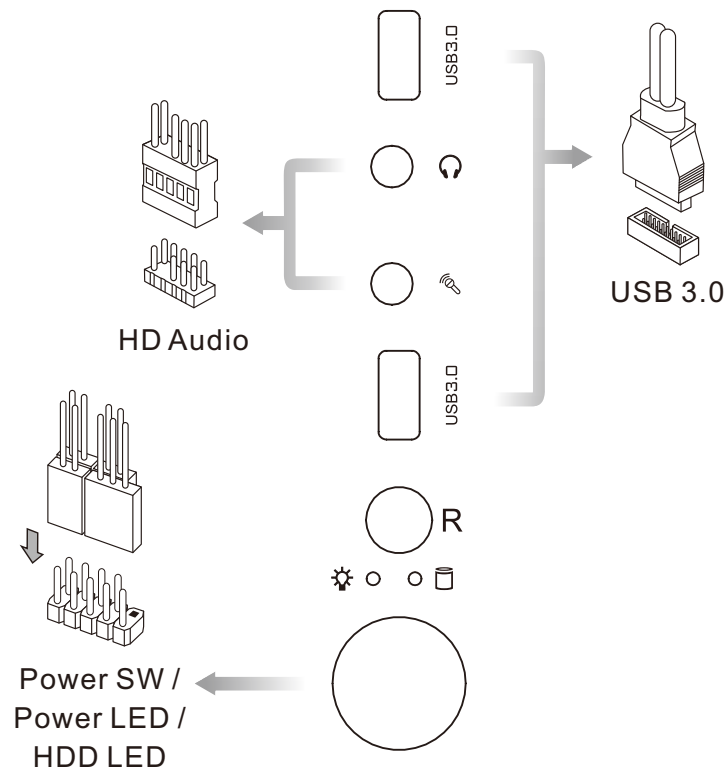
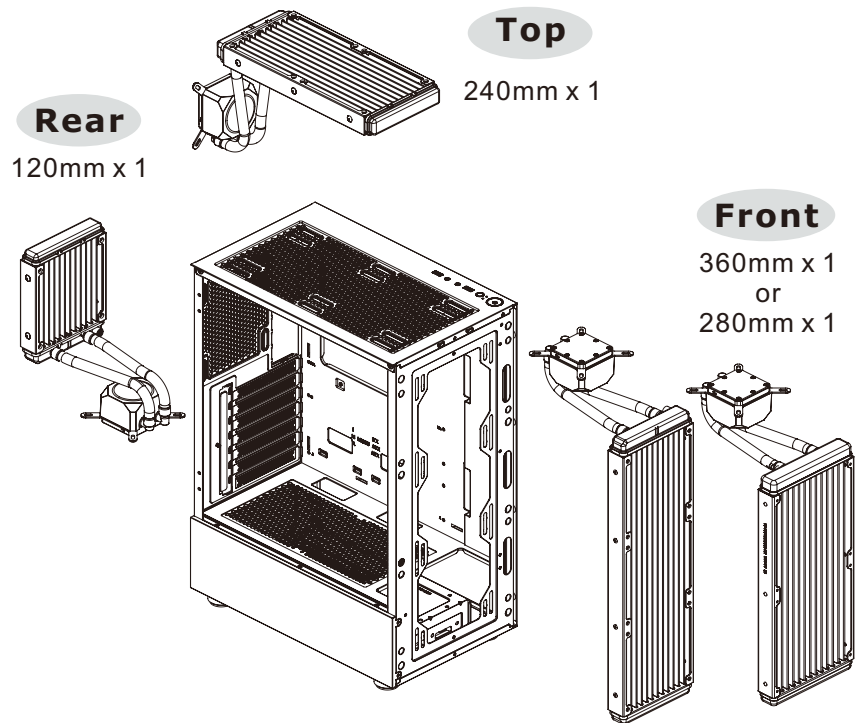
140mm x 2
or
120mm x 2



Front

120mm x 3
or
140mm x 2







- Wave Mode** Mode 1
- Flow Mode** Mode 2
- Tide Mode** Mode 3
- Breath Mode** Mode 4
- Recoil Mode** Mode 5
- Flash Mode** Mode 6
- Radar Mode** Mode 7
- Single Color** Mode 8 ~ 15
(Red, Green, Blue, Yellow, Cyan, Purple, Orange, White)

※ Note:

1. Long press 3 seconds → M/B SYNC (blink once)
2. Long press 5 seconds → LED off (blink twice)
3. Short press once while M/B SYNC or LED off → Return to the last LED mode.

ARGB Control Instruction – How to connect MB

ASUS/ASRock/BIOSTAR

MSI

GIGABYTE

Aura Addressable Strip Header(s)

JRGB-strip Header(S)

AOURS RGB Fusion with Digital LEDs

