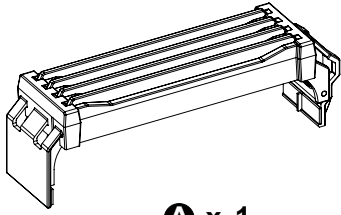
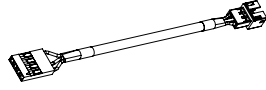


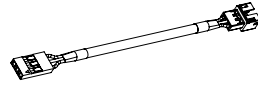
## Parts List



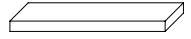
**A** x 1



**G** x 1



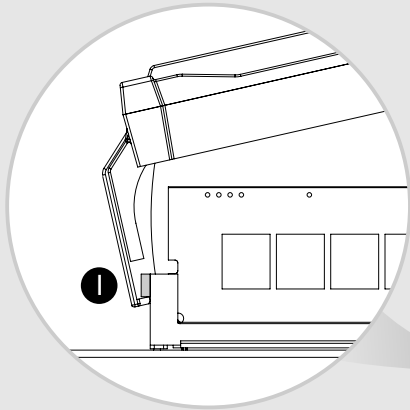
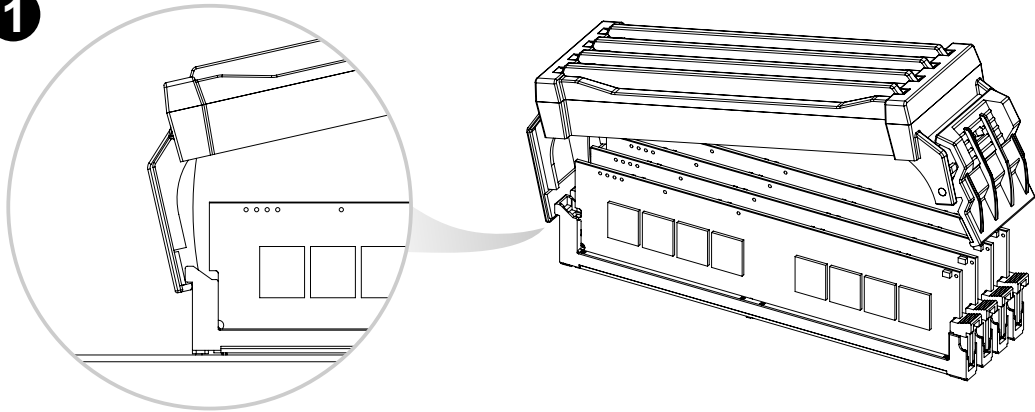
**H** x 1



**I** x 1

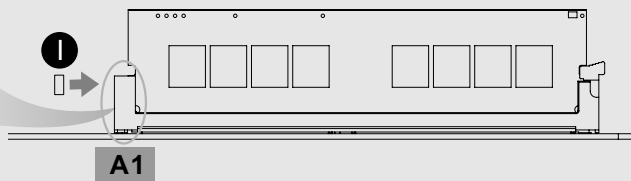
## Installation Guide

**1**

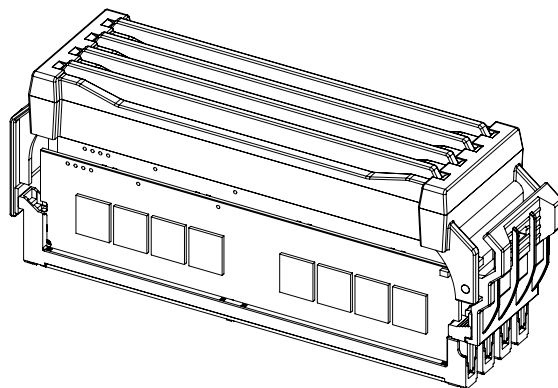


### **CAUTION**

If your **A1** is flat, please paste rubber **I** onto the slot.



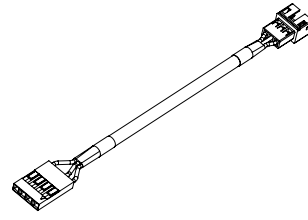
**2**



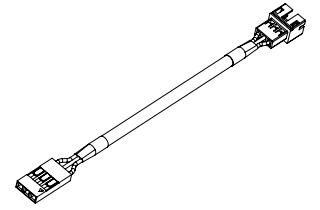
## Mainboard SYNC installation Guide

### **CAUTION**

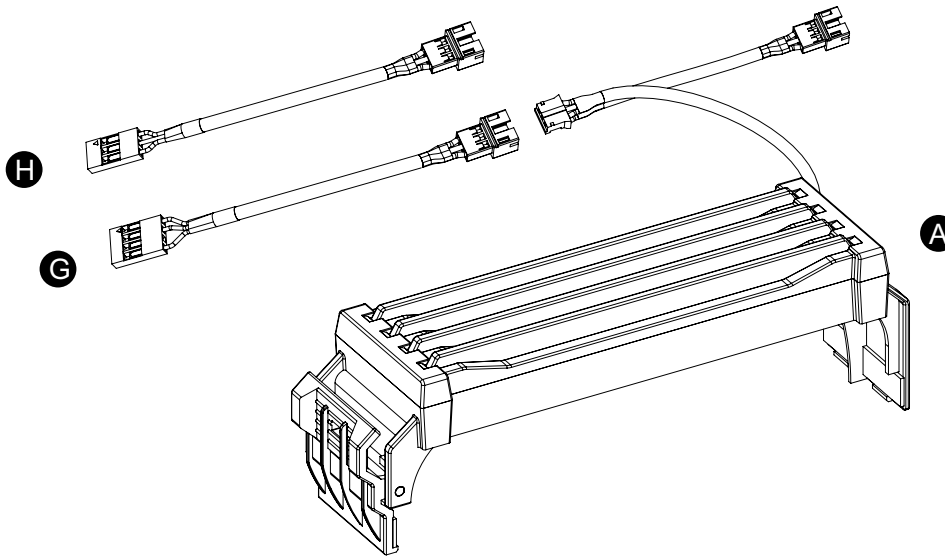
Please power off the PC and check the Positive and Negative ends on the connector before connecting the cable to mainboard. Connecting the wrong end can damage the LEDs.



**G** X 1

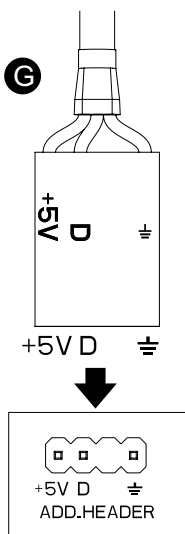


**H** X 1



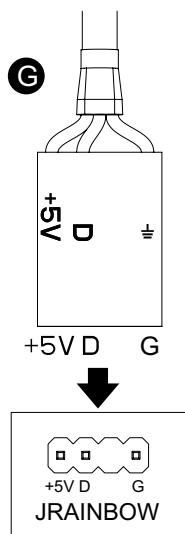
### ASUS

Aura Addressable Strip Header(s)



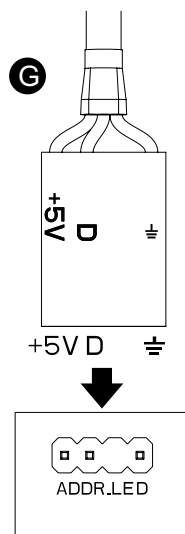
### MSI

JRGB-strip Header(S)



### ASROCK

Addressable RGB LED Header(s)



### GIGABYTE

AORUS RGB Fusion with Digital LEDs

