

Retro 360 TG

User's Manual
Benutzerhandbuch
Mode d'emploi
Manual del usuario
Manuale dell'utente
Manual do Utilizador

安裝說明書
用戶手冊
ユーザーズマニュアル
Руководство пользователя
kullanıcı elkitabı
(EEE Yönetmeliğine Uygundur)
คู่มือการใช้งาน



© 2026 Thermaltake Technology Co., Ltd. All Rights Reserved. 2026.01
All other registered trademarks belong to their respective companies. www.thermaltake.com



TT Premium



TT Premium

To continue achieving the corporate mission of delivering the perfect user experience, Thermaltake developed "TT Premium" with the essence of combining supreme quality products with a new logo design. TT Premium is far more than just a guarantee of quality. Behind the name, it represents the passion in DIY, Modding and Thermaltake's desire to be the most innovative brand in the PC hardware market. To satisfy the demand of the high-end PC users, TT Premium follows its core values of Excellent Quality, Unique Design, Diverse Combinations and Boundless Creativity to provide a high performance PC product for every enthusiast. <http://tppremium.com>

Tt LCS-Liquid Cooling Support Certification



Tt LCS Certified is a Thermaltake exclusive certification applied to only products that pass the design and hardcore enthusiasts standards that a true LCS chassis should be held to. The Tt LCS certification was created so that we at Thermaltake can designate to all power users which chassis have been tested to be best compatible with extreme liquid cooling configurations to ensure you get the best performance from the best features and fitment.

Join Tt Community To Receive Benefits



Dear Valued Customer,
Thank you for choosing Thermaltake.
As a new user we value your thoughts and opinions and your feedback is important to us. We at Thermaltake would like to use this opportunity to invite you to join our Community Forums. Register today to start enjoying the full benefits of our community.



Benefits of being a member:

- Quick and responsive user support
- Receive help and advice with new builds
- Keep up to date with new product releases
- Share your thoughts and builds with the community
- Enter monthly contests and giveaways

Brand official website
<http://www.thermaltake.com/>

Global Facebook
<https://www.facebook.com/ThermaltakeInc>

Taiwan Facebook
<http://www.facebook.com/ThermaltakeTW>

Global community forums
<http://community.thermaltake.com>

CONTENTS


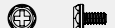

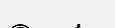
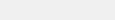





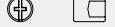
Chapter 1. Product Introduction

1.0	Specification	01
1.1	Accessory	02
1.2	Dimension & Clearance	03

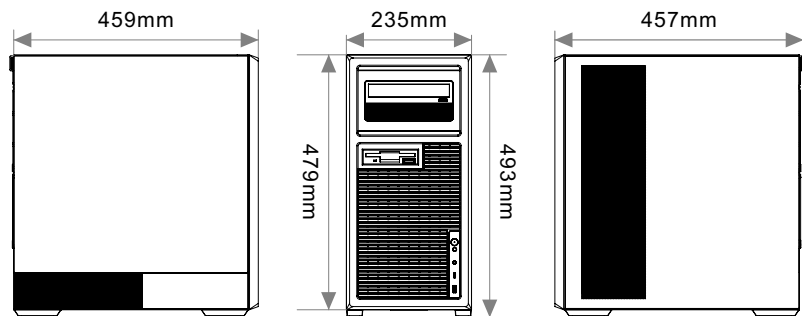
Chapter 2. Installation Guide

2.0	Remove Panels	06
2.1	Power Supply Unit (PSU) Installation	07
2.2	Motherboard Installation	08
2.3	HDD Installation	09
2.4	VGA Installation	11
2.5	6" LCD Installation	14
2.6	Air Cooling Installation	15
2.7	AIO Liquid Cooling Installation	16
2.8	I/O Connection	17
2.9	Remove Filters	18

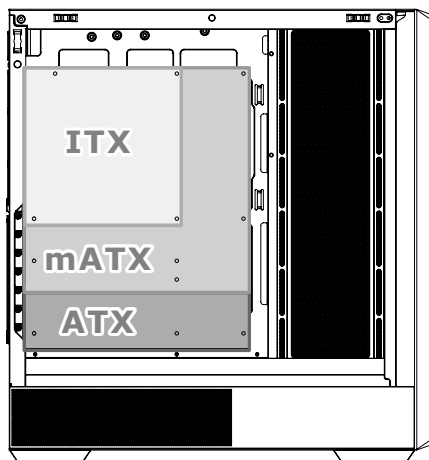
Case Type	Mid Tower		
Dimension (H*W*D)	493 x 235 x 467 mm (19.4 x 9.25 x 18.4 inch)		
Panel	4 mm Tempered Glass x 1		
Material	SPCC		
Cooling System	Front(intake): 120 x 120 x 25 mm Standard Fan (1400 rpm, 23.2 dBA) x 1 Rear(exhaust): 120 x 120 x 25 mm Standard Fan (1400 rpm, 23.2 dBA) x 1		
Drive Bays	1 x 3.5" + 1 x 2.5" or 2 x 2.5"		
Expansion Slots	7 (Rotatable Patented Design)		
Motherboards	6.7" x 6.7" (Mini ITX), 9.6" x 9.6" (Micro ATX), 12" x 9.6" (ATX)		
Hidden-Connector Motherboard	9.6" x 9.6" (Micro ATX), 12" x 9.6" (ATX)		
I/O Port	USB 3.2 (Gen 2) Type-C x 1, USB 3.0 x 1, HD Audio x 1		
PSU	Standard PS2 PSU (optional)		
Fan Support	Front	2 x 120 mm, 1 x 120 mm	2 x 140 mm, 1 x 140 mm
	Top	3 x 120 mm, 2 x 120 mm, 1 x 120 mm	2 x 140 mm, 1 x 140 mm
	MB Side	3 x 120 mm, 2 x 120 mm, 1 x 120 mm	
	Rear	1 x 120 mm	
	Power Cover	3 x 120 mm, 2 x 120 mm, 1 x 120 mm	
Radiator Support	Top	1 x 360 mm, 1 x 240 mm, 1 x 120 mm	1 x 280 mm, 1 x 140 mm
	MB Side	1 x 360 mm, 1 x 240 mm, 1 x 120 mm	
	Rear	1 x 120 mm	
Clearances	CPU cooler height limitation	170 mm	
	VGA length limitation	400 mm	
	PSU length limitation	275 mm	

Figure	Part Name	Q'ty	Use For
	Stand-off #6-32 x 6.5 mm	4	Motherboard
	Screw #6-32 x 6 mm	4	Power Supply
	Screw #6-32 x 5 mm	8	3.5" HDD
	Screw M3 x 5 mm	25	Motherboard / 2.5" SSD / Riser Cable
	Screw #6-32 x 28 mm	12	Case Fan
	Stand-off 26 mm	2	Riser Cable
	Panel Clip	2	Stand-off Installation
	Zip Ties	10	Cable Management
	Buzzer	1	Motherboard Alarm
	Nut Setter	1	Stand-off Installation
	Velcro-1 meter	1	Cable Management

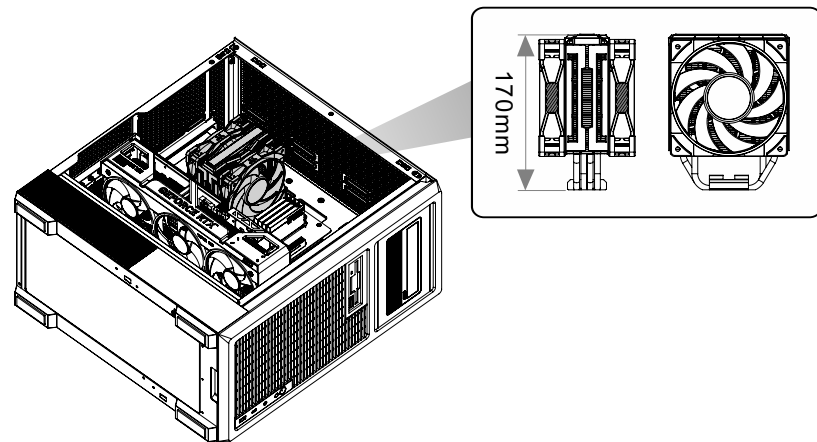
Chassis dimension



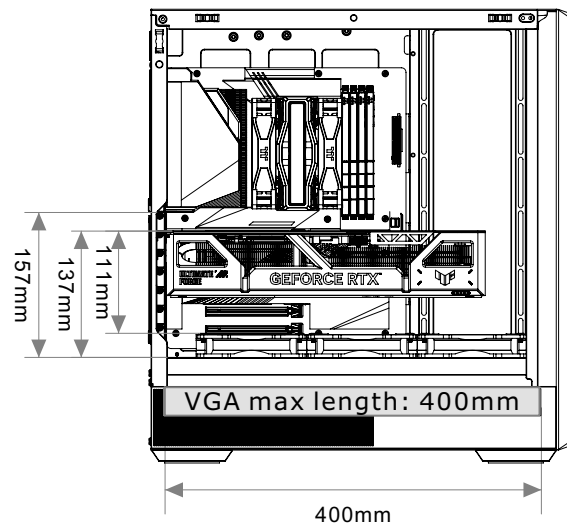
Motherboard compatibility: ITX / mATX / ATX



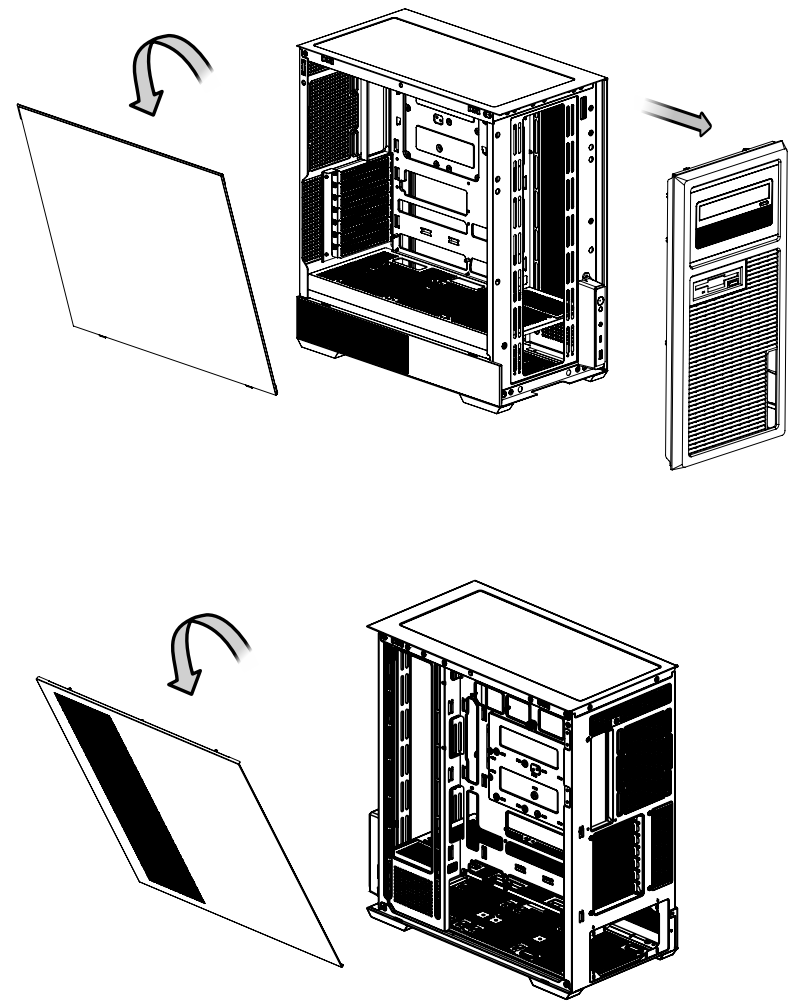
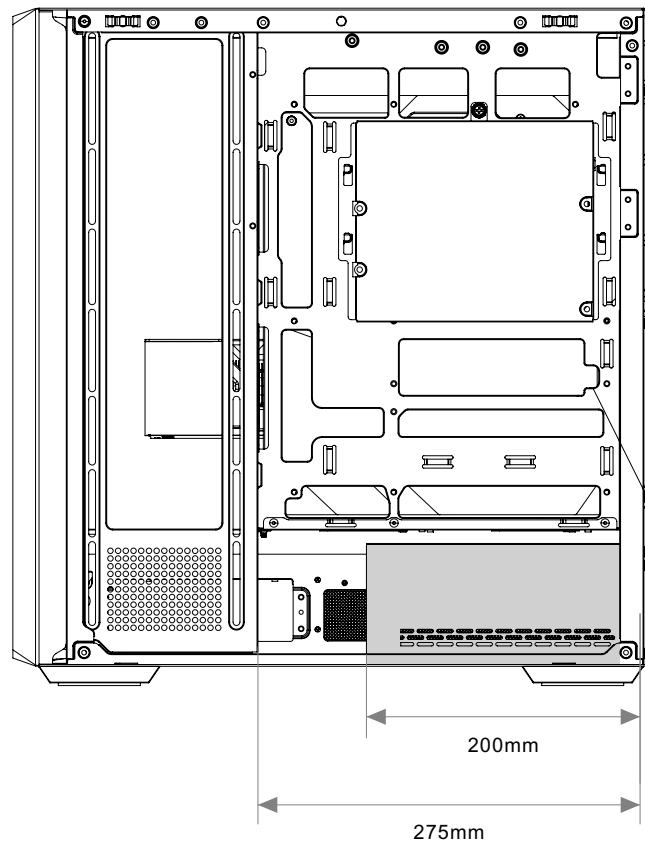
CPU cooler max height: 170mm

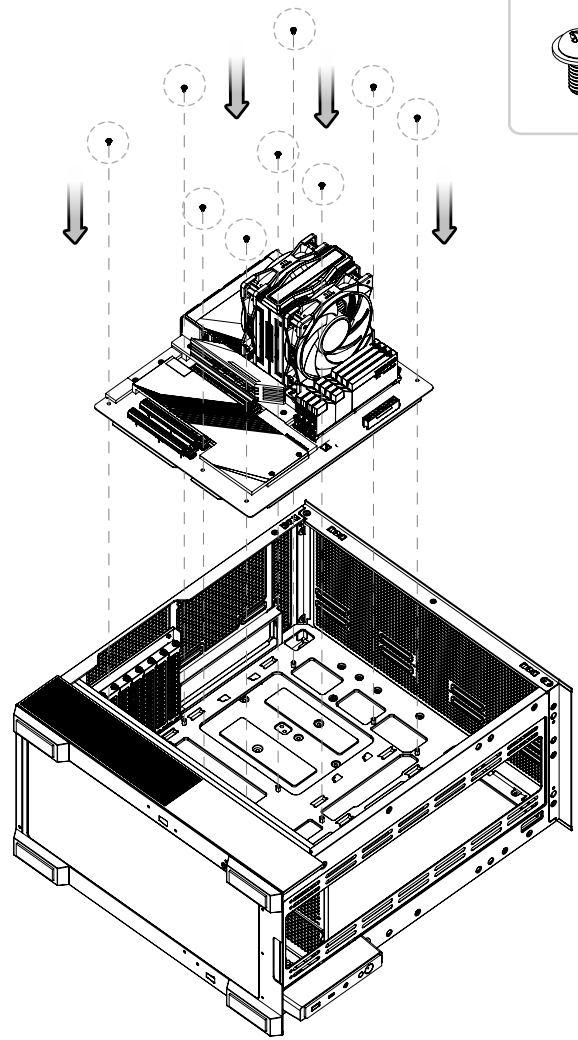
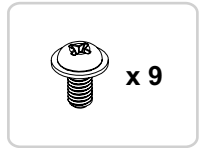
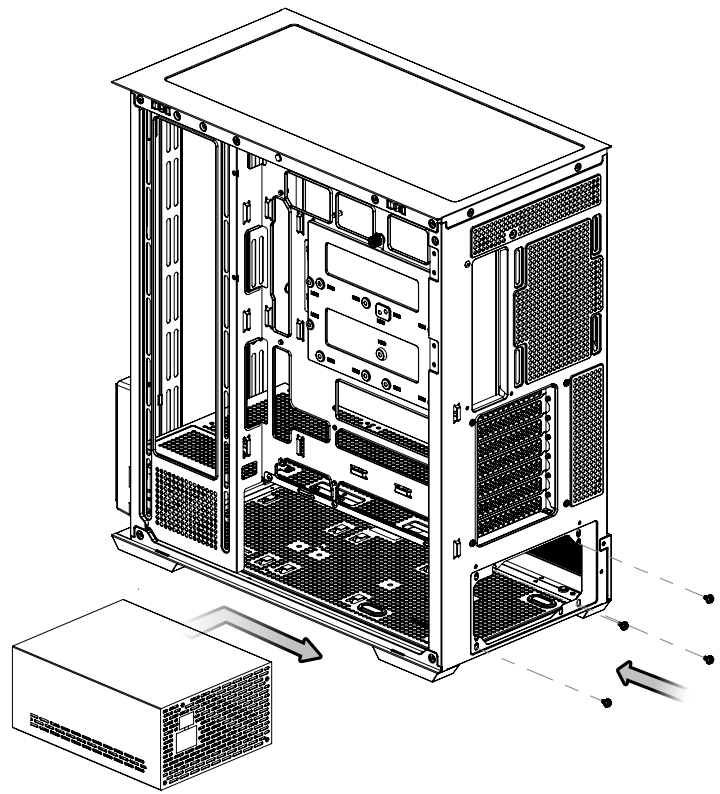
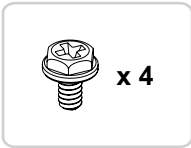


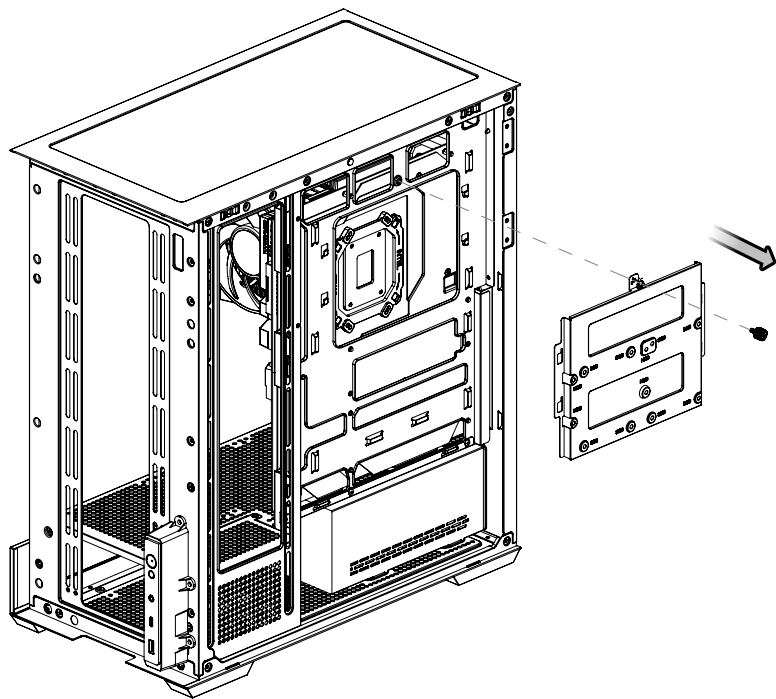
VGA max length: 400mm
VGA max width: 157mm



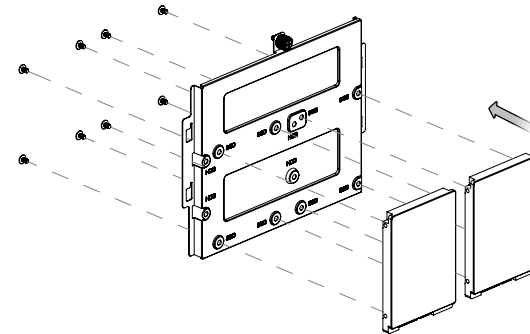
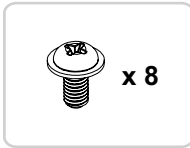
PSU max length: 275 mm
PSU suggested length: 200 mm



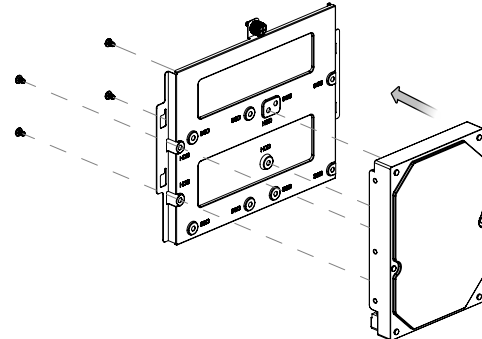
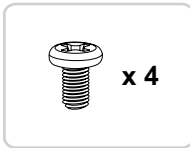


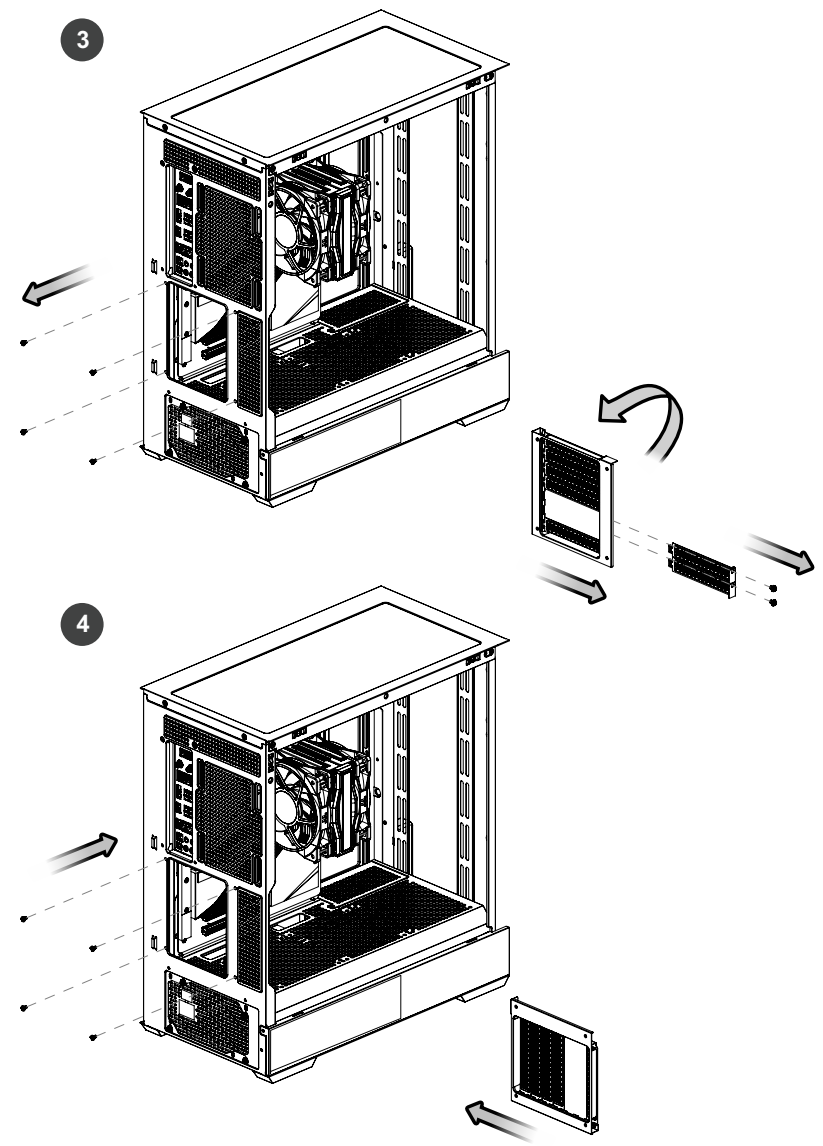
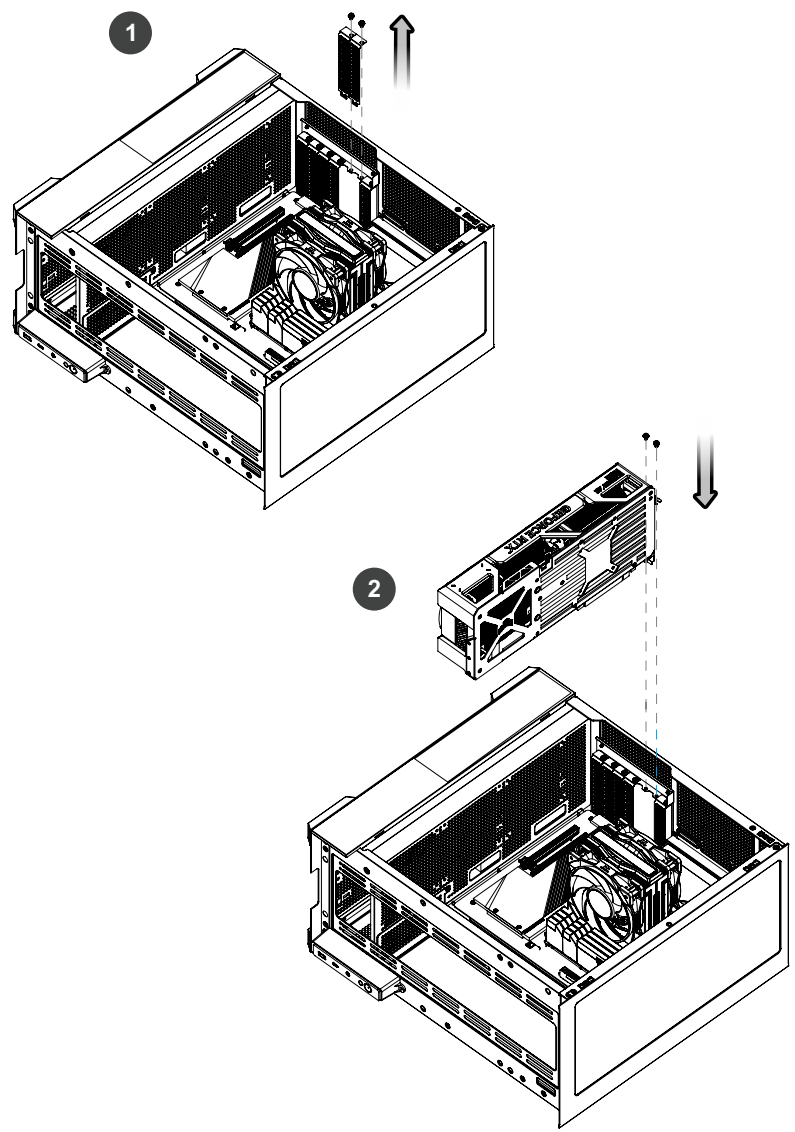


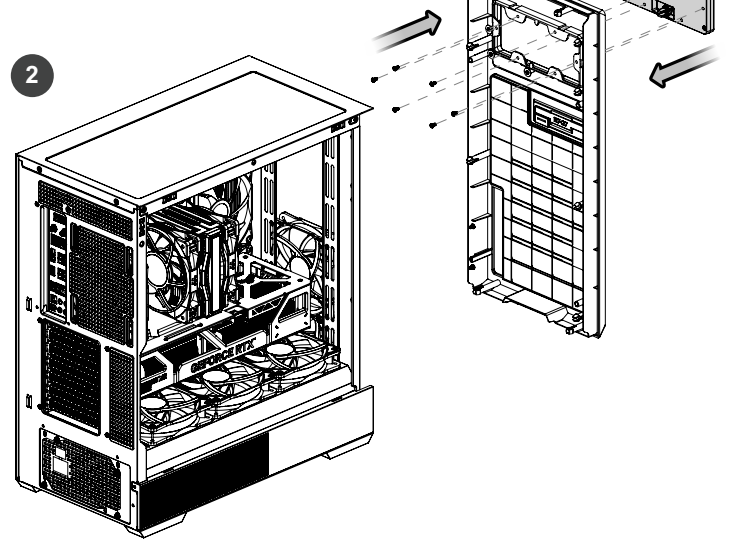
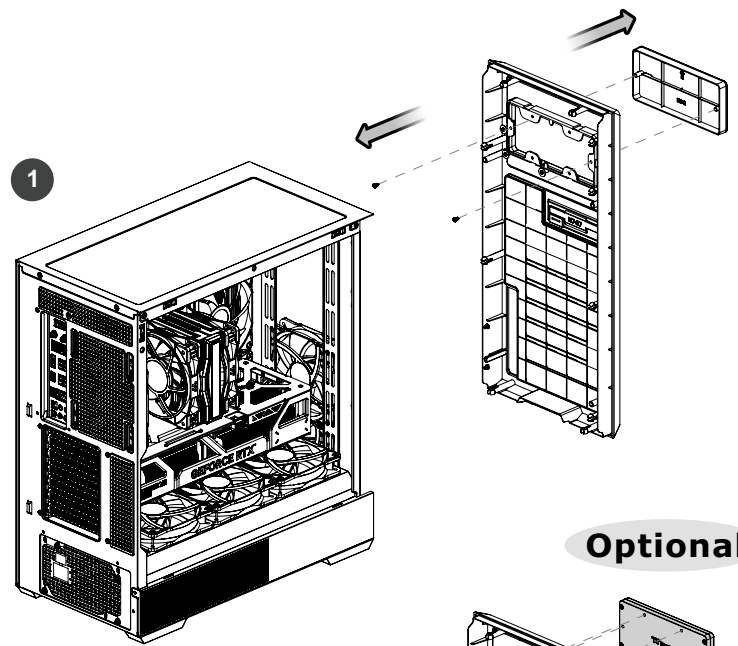
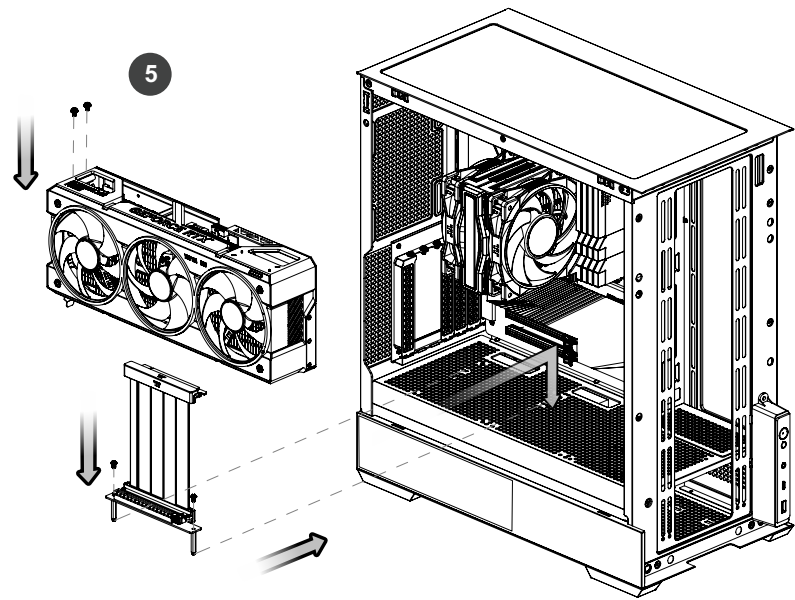
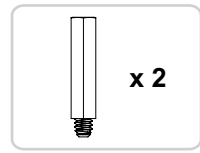
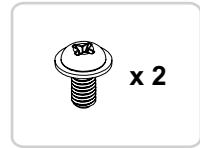
2.5" SSD / HDD

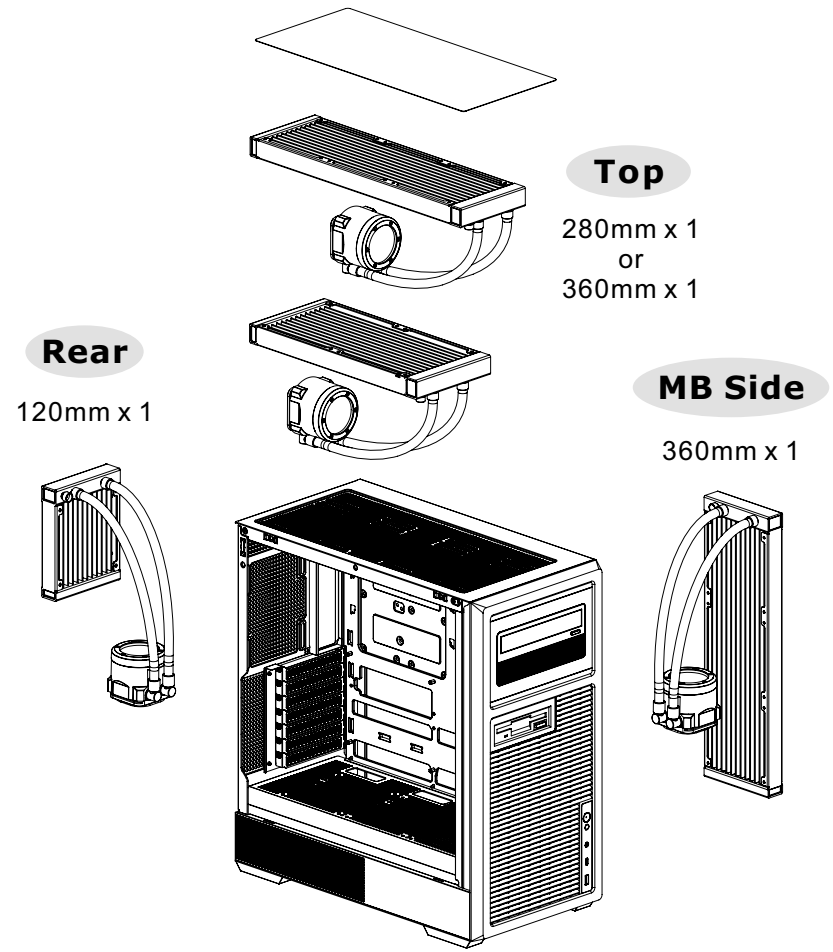
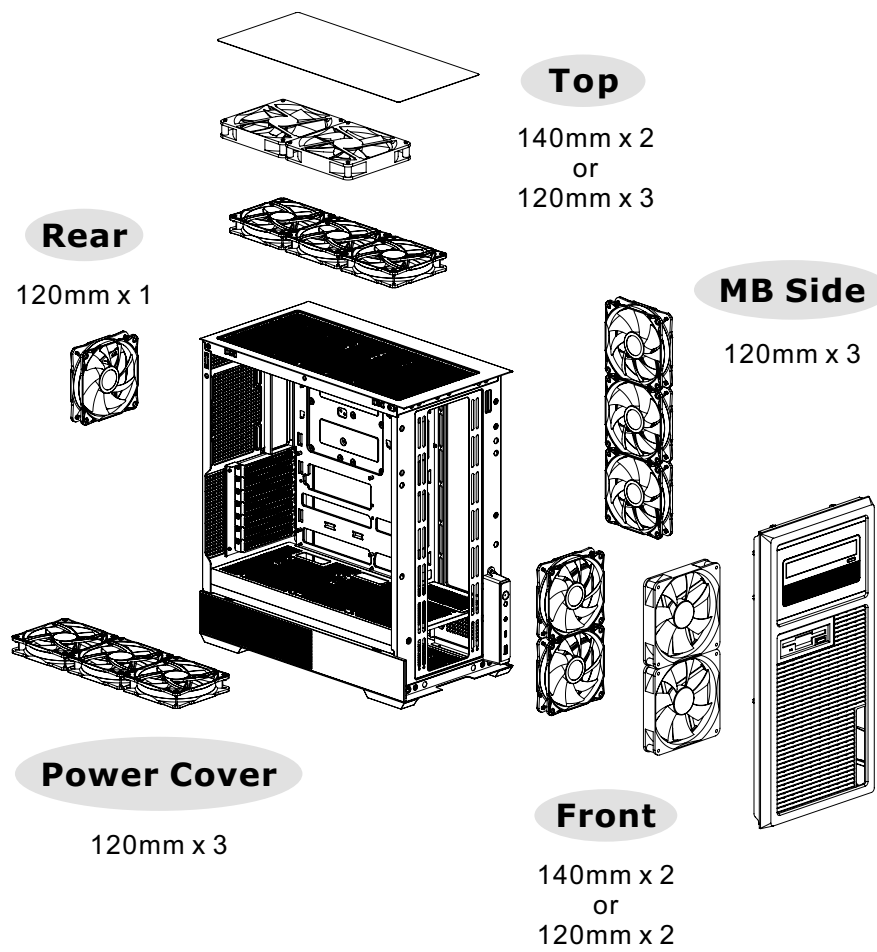


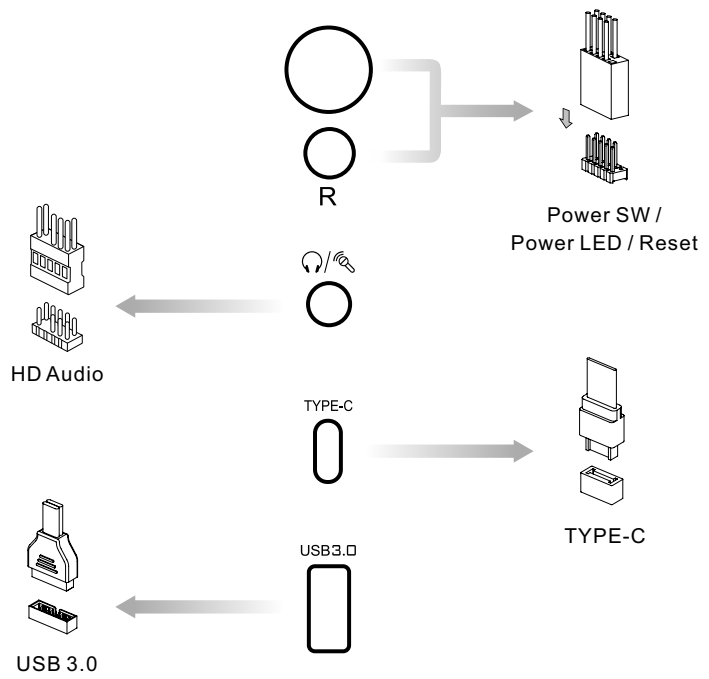
3.5" HDD











Motherboard Header Diagram

