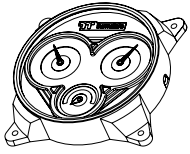
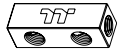




## Parts List



D x 1



E x 1



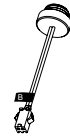
F x 4



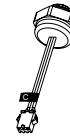
G x 4



A x 1



B x 1



C x 1



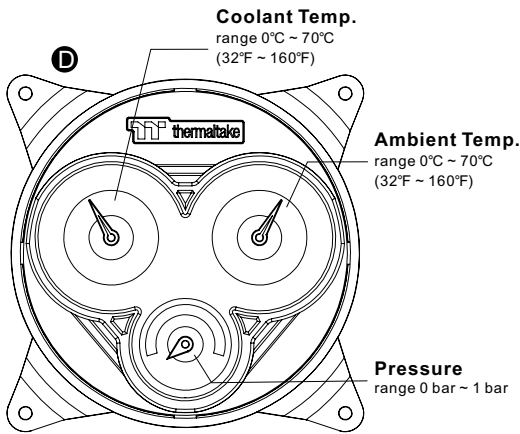
L x 1



N x 1

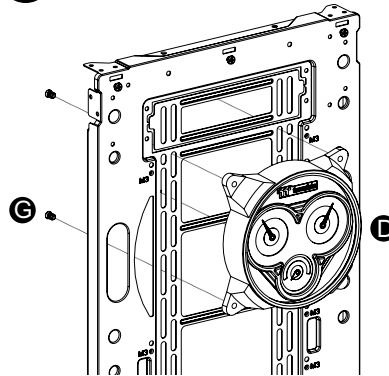
## Installation Guide

1



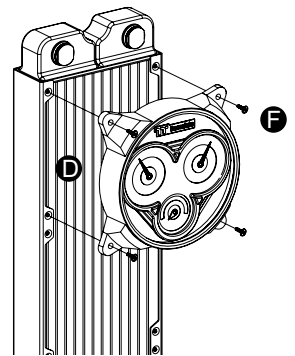
2

### Case



Install Pacific TF3 at any 120mm fan spots

### Radiator



Install Pacific TF3 at the radiator

### Pressure Range

<0.25 bar : The liquid pressure value is within the normal range.

0.25 ~ 0.5 bar : The liquid pressure value is rising; there is a slight pressure accumulation, it is recommended to release the pressure in time.

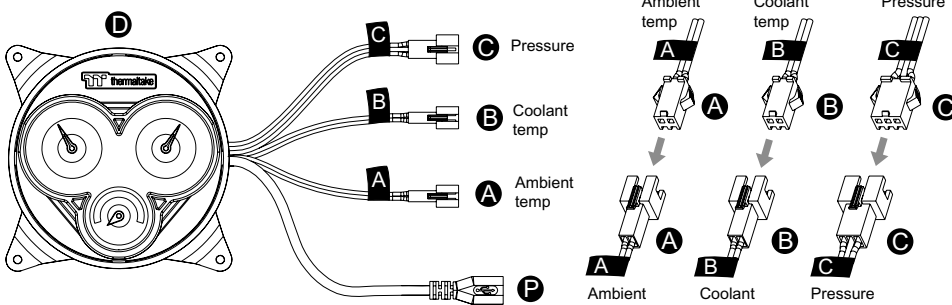
>0.5 bar : The liquid pressure value is a little high; the liquid cooling system has the risk of water leakage, therefore the pressure should be released immediately.

≥0.75 bar : The liquid pressure value is too high; The pressure should be released immediately and check whether there is any leakage in the entire cooling system to ensure that the system's products are not damaged.

### CAUTION

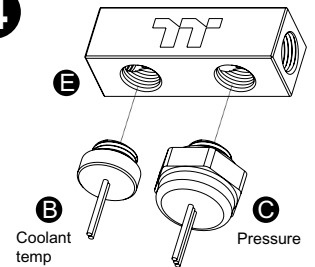
It is recommended to release the pressure of the liquid cooling system when the liquid pressure value approaches 0.5 bar. If any leakage is found, the system should be shut down and cut off the power supply immediately.

3



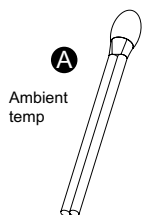
Connect the cables and connectors according to the corresponding labels

4



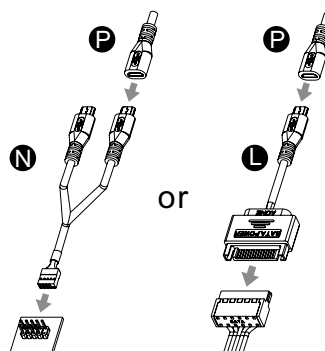
Install the liquid temperature sensor (B) and liquid pressure sensor (C) on the 4-way connector block (E)

5



Place the chassis ambient temperature sensor (A) at the appropriate spot

6



You could select one of the following ways of connections:  
9pin USB 2.0(N): For power supply and TT RGB Plus 2.0 software control  
SATA(L): Only for power supply

# TT RGB Plus Software control interface

Please download TT RGB PLUS from Thermaltake's Official website.

<https://www.thermaltake.com/downloads>

OS compatibility: Windows 10, Windows 11

## Pacific TF3 Liquid Cooling System Dashboard Software User Interface

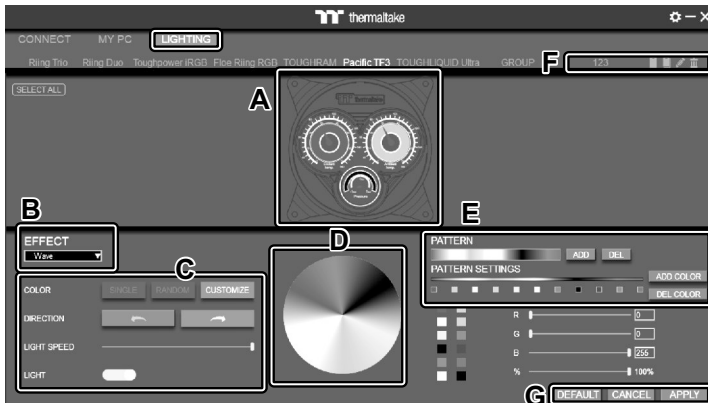
### MY PC - PC INFORMATION



Show PC Information

- CPU Information: Temperature, Load, Fan Speed, Wattages, Frequency.
- GPU Information: Temperature, Load, Fan Speed, Wattages, Frequency (Supports SLI).
- Memory Information: Channel, tRCD, CL, Frequency, Type, Temperature, Size
- SENSORS: Show the Pacific TF3 Coolant Temperature, Chassis Ambient Temperature, and Coolant Pressure.

### LIGHTING



A. Preview and edit the lighting effect.

B. Select 23 Lighting Effects.

C. Lighting effect settings.

D. Color palette: select lighting color

E. PATTERN: Set up the color pattern ring.

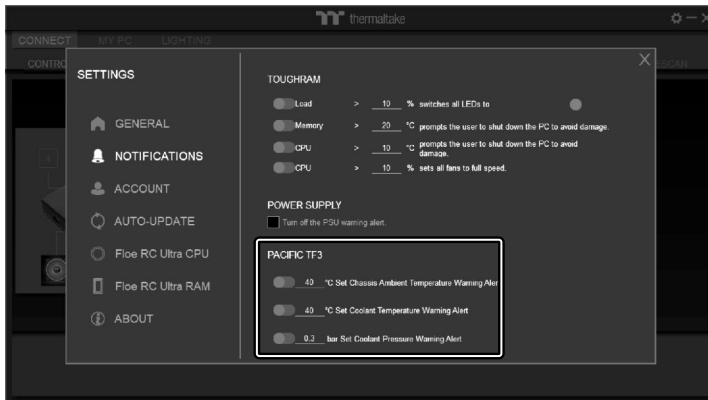
F. Profile Settings: New, Copy, Edit, Delete

G. DEFAULT: Reset the lighting effects.

CANCEL: Deselect the LEDs for the preview screen.

APPLY: Execute and store lighting effects.

### SETTINGS



Pacific TF3 Liquid Cooling System Dashboard Notification Settings

- **40°C** Set Chassis Ambient Temperature Warning Alert. (Default 40°C)
- **40°C** Set Coolant Temperature Warning Alert. (Default 40°C)
- **0.3 bar** Set Coolant Pressure Warning Alert. (Default 0.3 bar)



The software interface may vary with feature updates, please download the latest software version from [www.thermaltake.com](http://www.thermaltake.com)