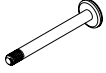
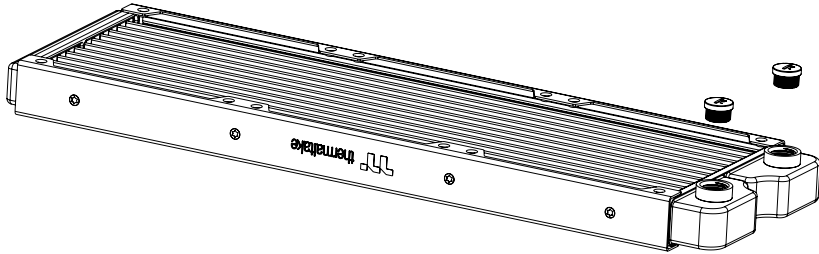
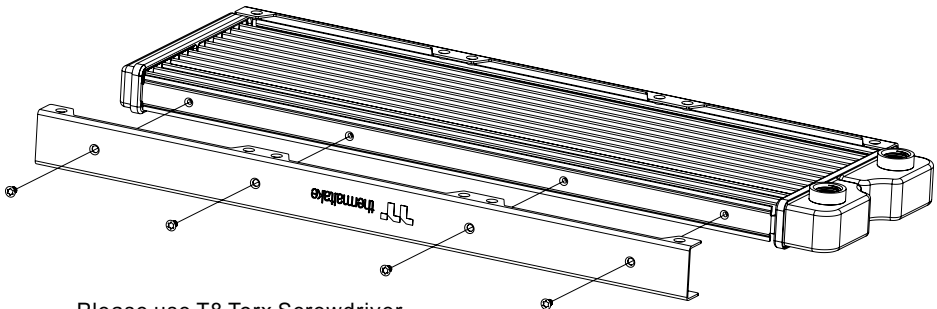


**Parts List**
**A** x 12

**B** x 12

**C** x 12

**Scan Here**  
 Installation Guide

**Side Panels Detachment Guide**


Please use T8 Torx Screwdriver

 **CAUTION**
**Thermaltake recommends the following steps to be taken before using the Pacific series radiators and water blocks**

1. To ensure a clean loop, flush and rinse your radiators and water blocks with distilled water prior to use.
2. Do not use tap water or distilled water as your coolant, it may harm your loop and reduce performance.
3. It is strongly recommended to use market proven pre-mix coolant, such as Thermaltake Coolant 1000. It offers great performance while protecting the entire liquid loop from corrosion.
4. Before storing your water cooling components, please clean, rinse and dry. This will ensure a longer lifespan for your components.