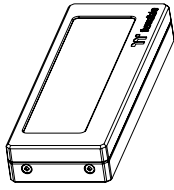
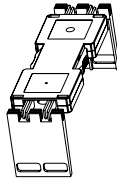
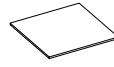
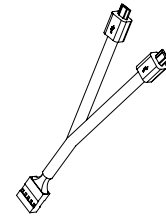


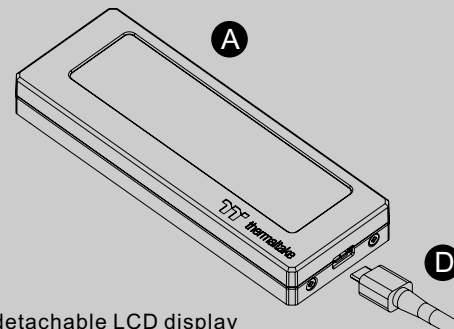
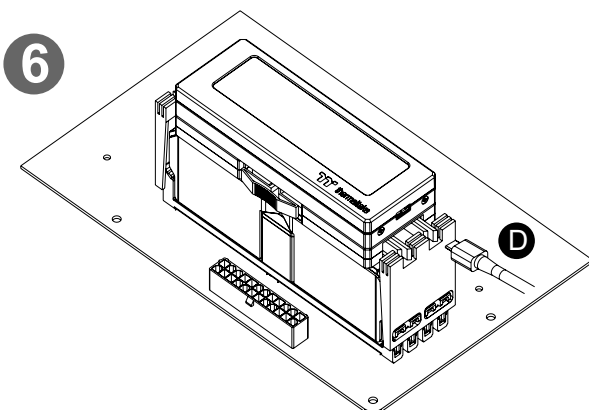
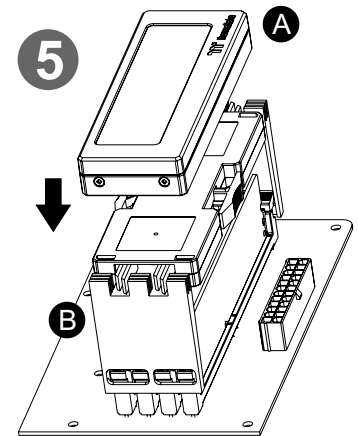
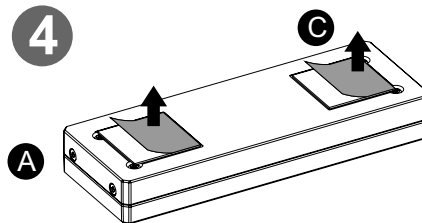
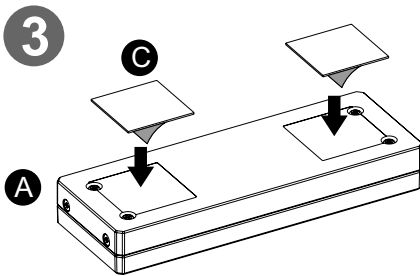
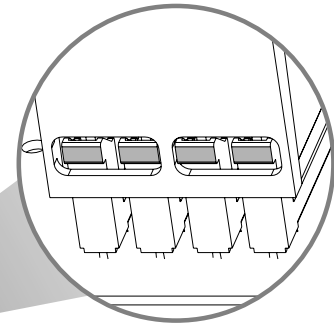
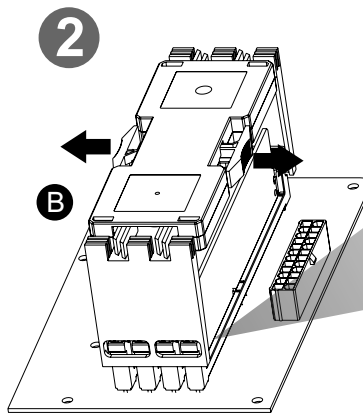
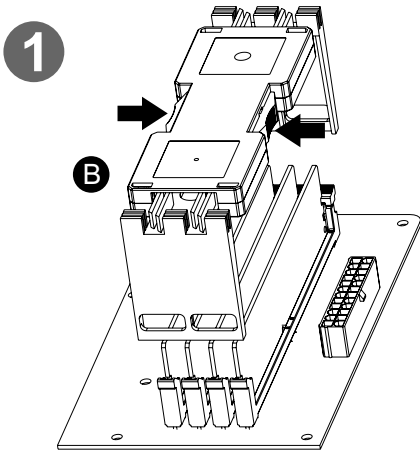
Parts List


A x 1

B x 1


restickable tabs

C x 2

D x 1

Installation Guide



The detachable LCD display provides convenient ease of use and can be attached to various places outside the chassis

TT RGB PLUS Software control interface

Please download TT RGB PLUS from Thermaltake's Official website.

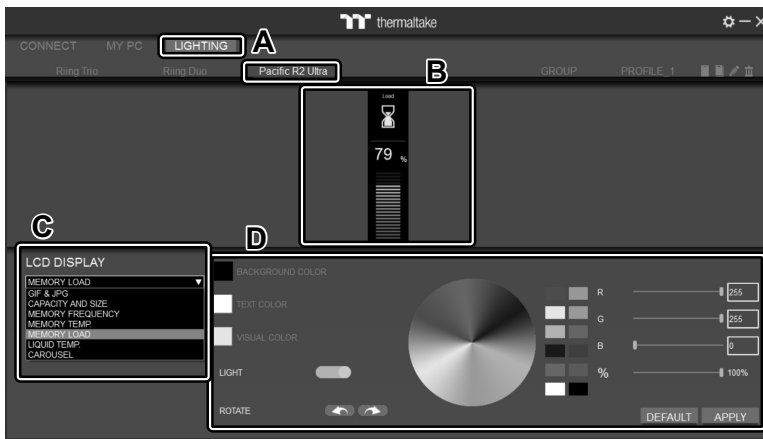
<https://www.thermaltake.com/downloads>

OS compatibility: Windows 10

TT RGB PLUS Software User Interface

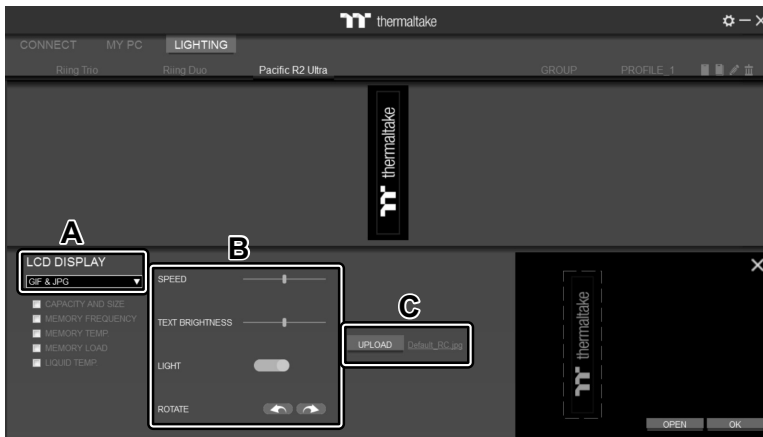
Memory LCD Monitor Kit

LIGHTING



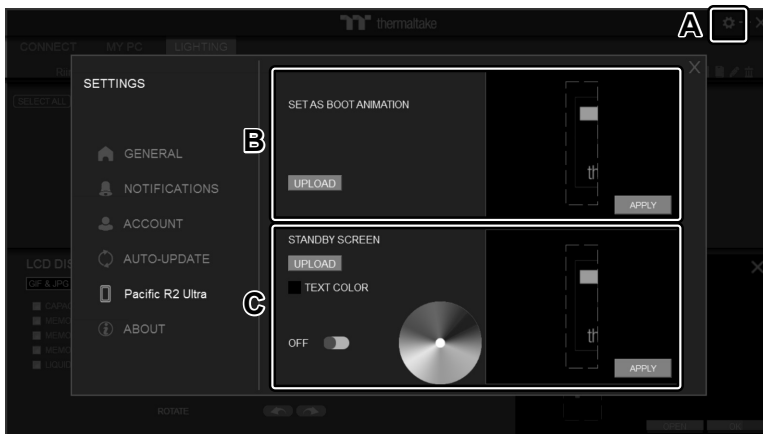
- A. After installation of TT RGB PLUS, you can select "Pacific R2 Ultra" on the "LIGHTING" page.
- B. Preset the memory LCD monitor kit.
- C. LCD DISPLAY function list.
- GIF & JPG (Upload picture to LCD display)
 - CAPACITY AND SIZE
 - MEMORY FREQUENCY
 - MEMORY TEMP.
 - MEMORY LOAD
 - LIQUID TEMP.
 - CAROUSEL (Switches between Memory/Liquid information)
- D. LCD visual effect settings.
- Set LCD display background, text and visual color, rotate the LCD screen or turn off LCD.

GIF & JPG



- A. Select "GIF & JPG" form "LCD DISPLAY".
- You can upload a GIF or JPG file to show the picture on the LCD screen.
- B. Set the LCD display text information, speed and brightness, rotate the LCD screen or turn off LCD.
- C. Click "UPLOAD" to upload the picture. (GIF and JPG files only)

SETTINGS



- A. Click the gear icon on the upper right corner to enter the "SETTINGS" menu.
- B. Upload the picture to set as LCD boot animation. (GIF only)
- C. Upload the picture to set as LCD standby screen. (JPG only)



software interface may vary with feature update, please download the latest user manual from our www.thermaltake.com