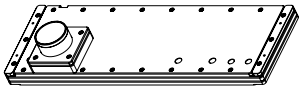




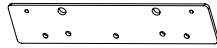
This product is intended for installation only by expert users. Please consult with a qualified technician for installation. Improper installation may result in damage to your equipment.

1. Please carefully read the manual before beginning the installation process !
2. It is strongly recommended to use market proven pre-mix coolant, such as Thermaltake Coolant 1000.
3. DO NOT USE any kind of alcohol or alcohol derivatives with this reservoir or the acrylic tube may crack and fail ! Do not clean it using alcohol either

Parts List



A x 1
Distro Plate



B x 2
Bracket



C x 4
Screw



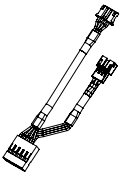
D x 3
G1/4 Stop Plug



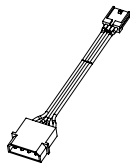
E x 1
Wrench



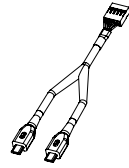
F x 1
Controller



G x 1
LED Y-Cable



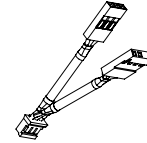
H x 1
Power Cable



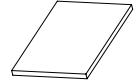
I x 1
Controller Cable



J x 1
Bridge Cable



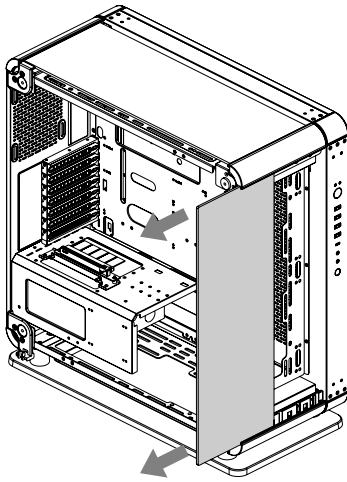
K x 1
MB SYNC Cable



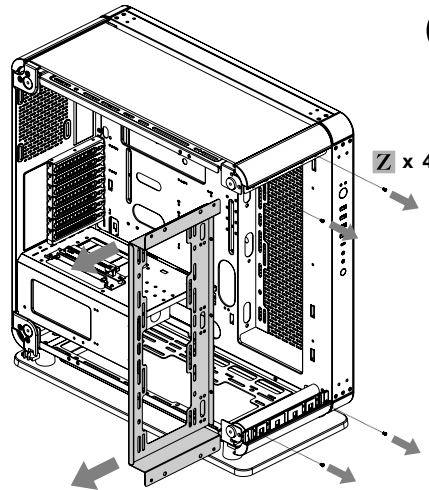
L x 1
Velcro

Installation Guide

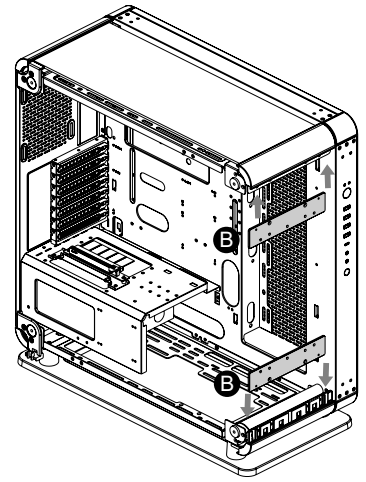
1



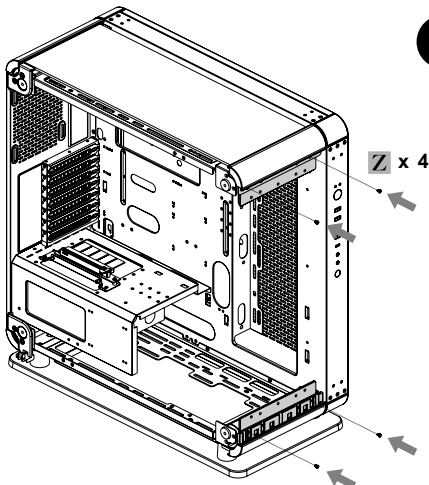
2



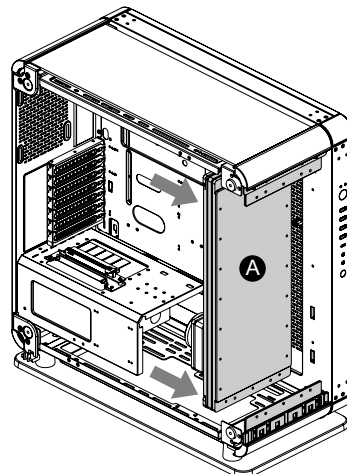
3



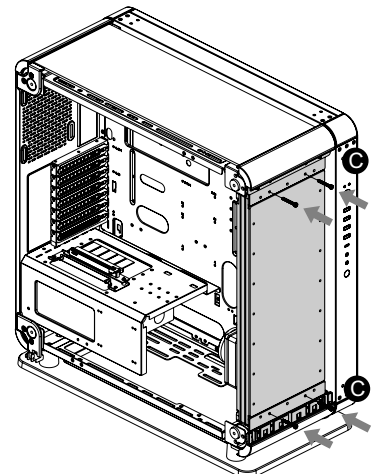
4



5

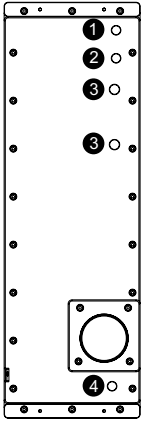


6



Installation Guide

7



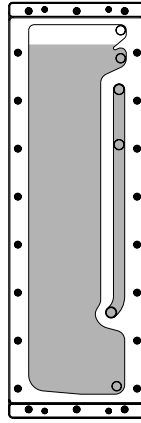
Circle 1
Designed for liquid fill, you may choose one of the ports to use.

Circle 2
Designed for liquid inlet, you may choose one of the ports to use.

Circle 3
Designed for liquid outlet, you may choose one of the ports to use.

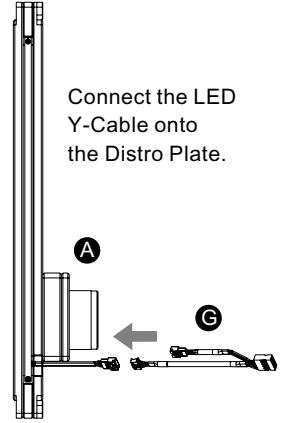
Circle 4
The drain port.

8



To avoid air bubble during liquid cooling system working, please fill the reservoir with coolant to the line (Normal coolant level)

9

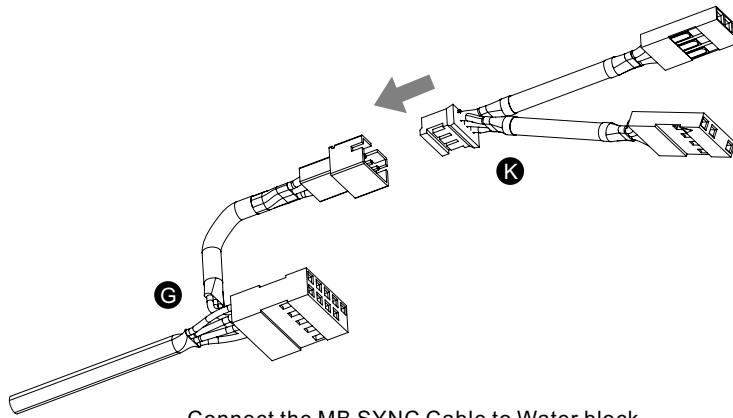


Connect the LED Y-Cable onto the Distro Plate.

Mainboard SYNC installation Guide

CAUTION

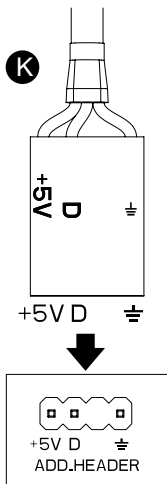
Please power off the PC and check the Positive and Negative ends on the connector before connecting the cable to mainboard. Connecting the wrong end can damage the LEDs.



Connect the MB SYNC Cable to Water block

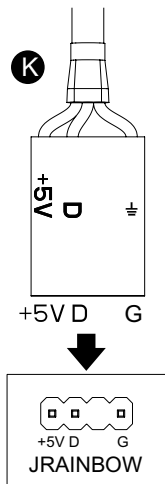
ASUS

Aura Addressable Strip Header(s)



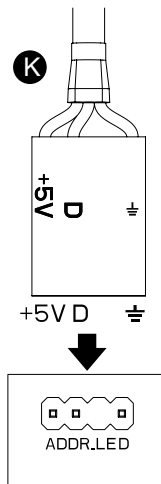
MSI

JRGB-strip Header(S)



ASROCK

Addressable RGB LED Header(s)



GIGABYTE

AOURS RGB Fusion with Digital LEDs

