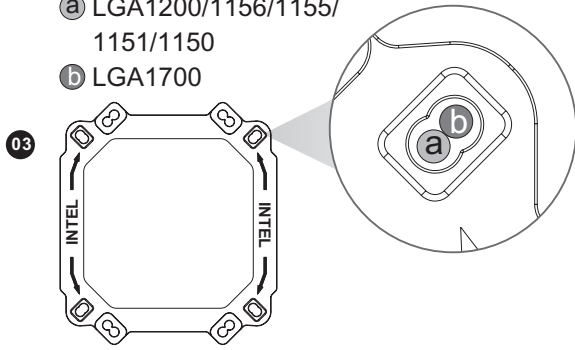


# CPU Water Block Installation Guide

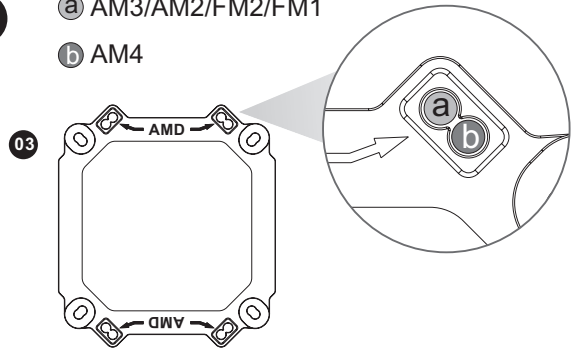
## Intel

- a LGA1200/1156/1155/1151/1150
- b LGA1700

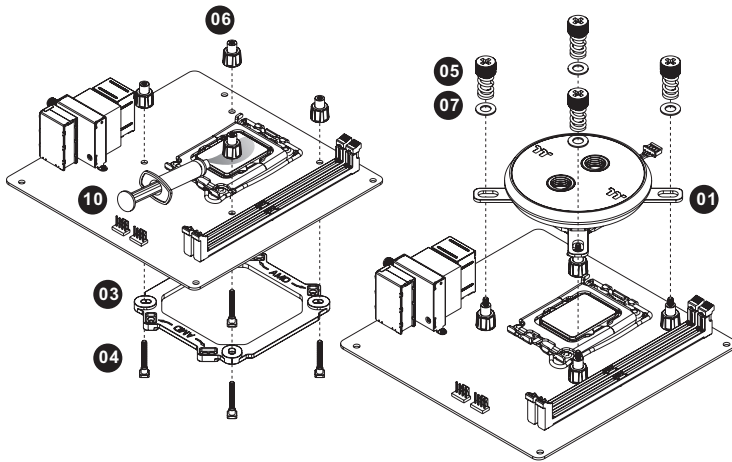


## AMD

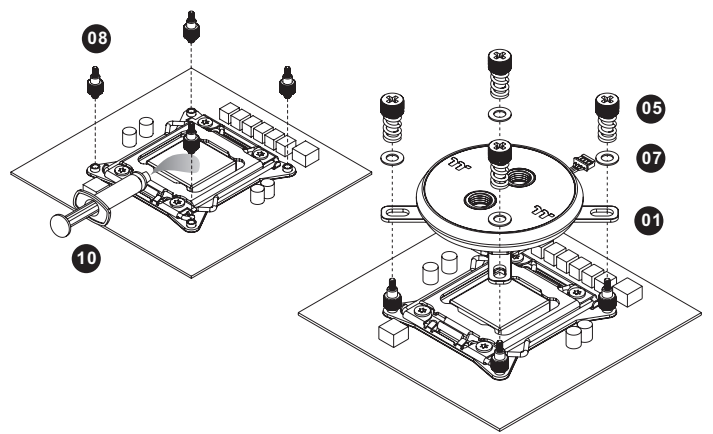
- a AM3/AM2/FM2/FM1
- b AM4



## Intel LGA 1700/1200/115X

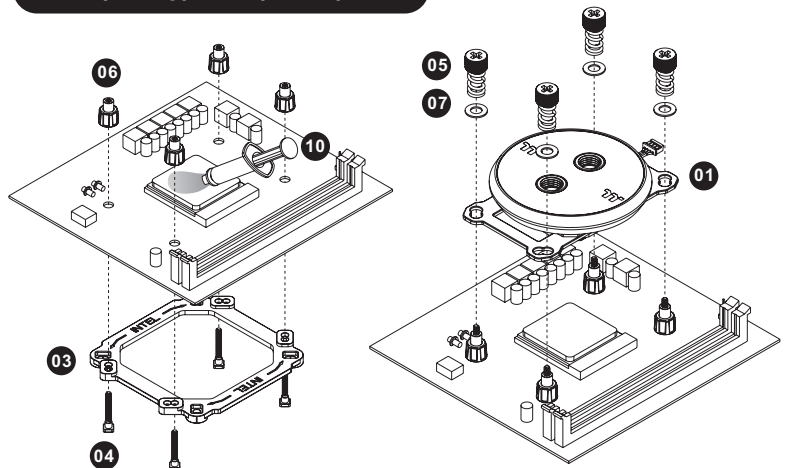
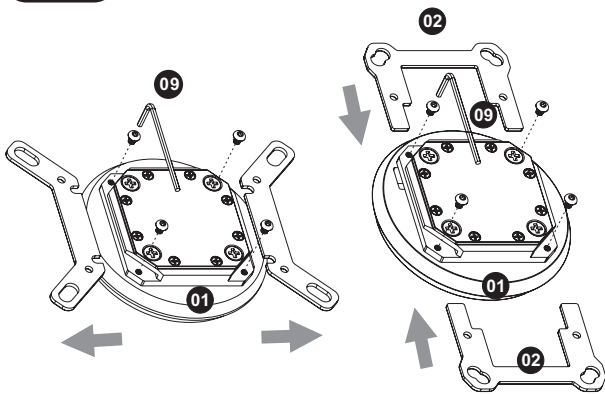


## Intel LGA2066,2011-3,2011

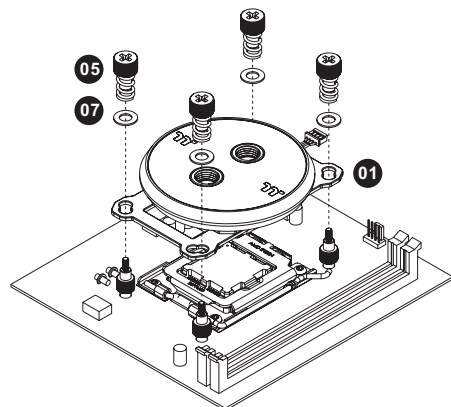
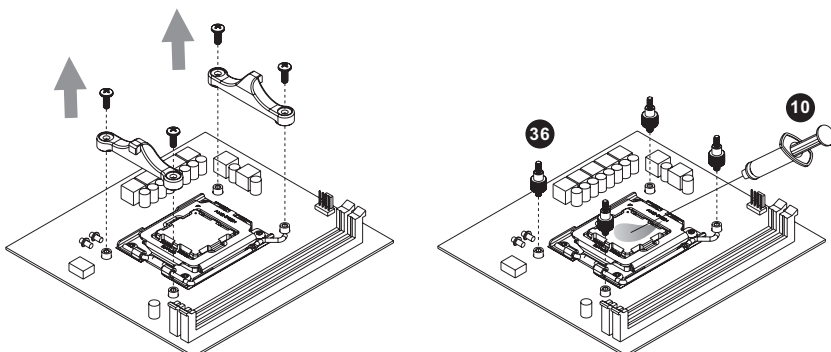


## AMD

## AM4/AM3/AM2/FM2/FM1



## AM5



Please remove the stock AMD mounting bracket, use AMD backplate.

## Installation Guide



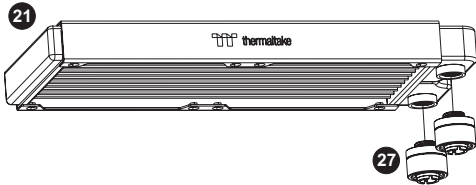
### CAUTIONS:

**Make sure there is enough space when you start to set up the LCS product**

#### Radiator

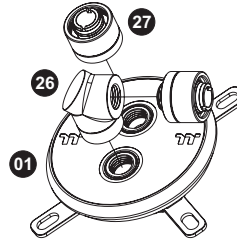
To ensure a clean loop, flush and rinse your radiators and water blocks with distilled water before using.

Make sure the fittings are screwed securely when placing them onto the radiator.



#### Water Block

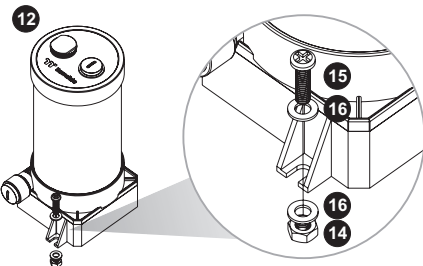
Attach the fittings to the inlet and outlet of the water block.



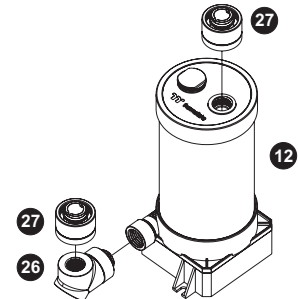
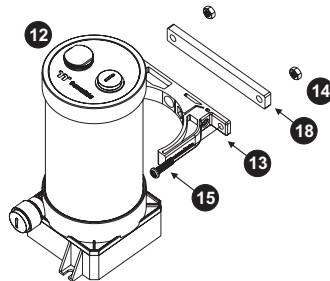
#### Pump / Reservoir

Choose the proper way to mount the pump and reservoir by referring to the manual (suggest vertical placement)

Attach fittings onto the pump and reservoir

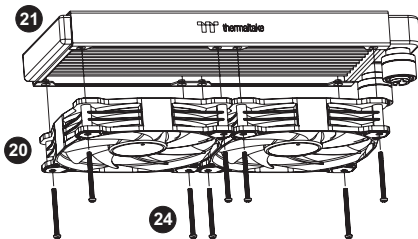


OR



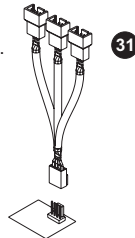
#### Case Fan

Attach the fans to the radiator

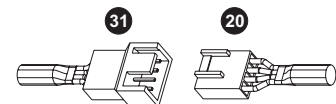


#### Connect the fan power cable when the liquid cooling system is completely finished

Connect the PWM cable to motherboard.

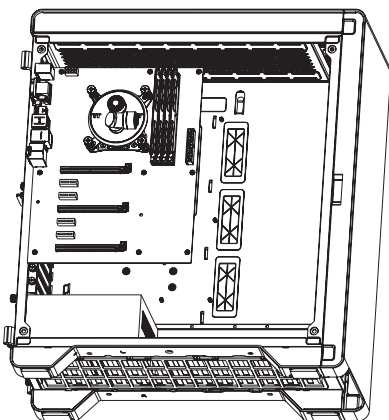


Connect the fan power cable to PWM cable

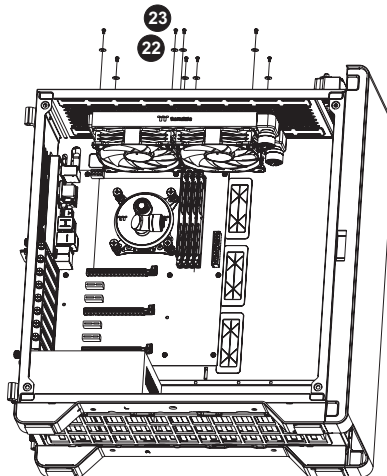


## Installation Walkthrough (Example: A500 TG)

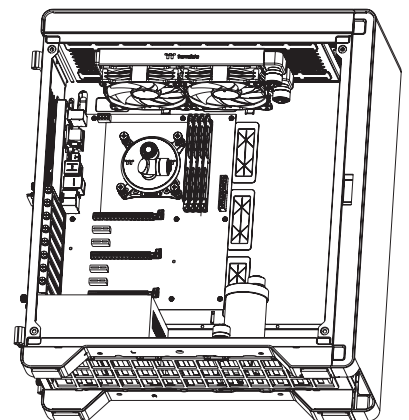
**1** Place the motherboard into the case.



**2** Position the radiator.

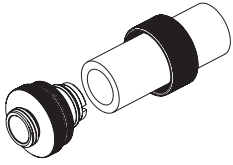


**3** Attach the pump and reservoir into the chosen locations.

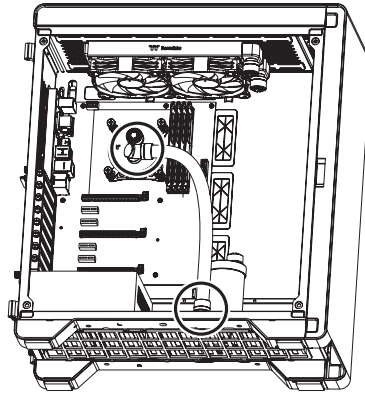


## Cutting and Attaching the Tubing

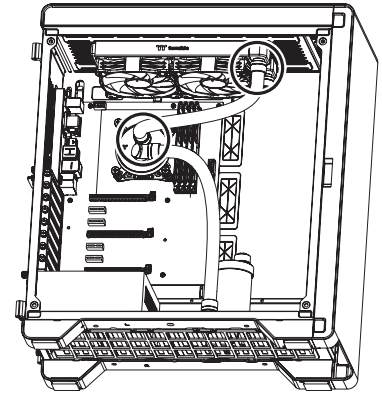
- 1** Take out the cap from the fittings and place the cap of the compression fitting over the tubing. Push the end of the tubing over the barb; make sure the tubing is a tight fit. Slide the cap over the fitting and rotate it clockwise until the tubing is sealed in place.



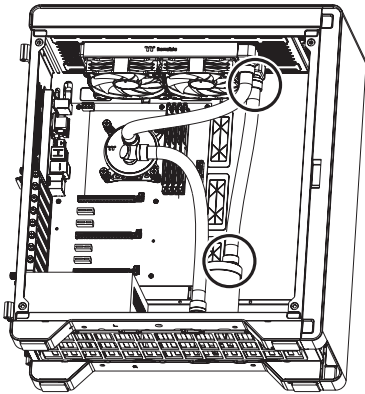
- 2** Measure the tube length based on the fitting, and make (cut) the tubes. The loop order : Pump Outlet > Water Block



- 3** Measure the tube length based on fitting, and make (cut) the tubes. The loop order : Water Block > Radiator



- 4** Measure the tube length based on the fitting, and make (cut) the tubes. The loop order : Radiator > Reservoir inlet

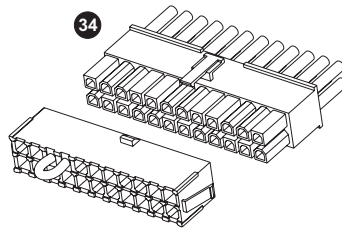


## Filling the System

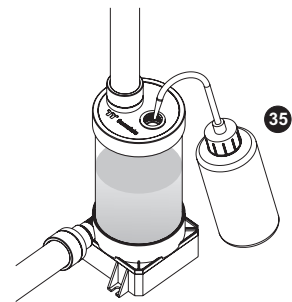
### CAUTIONS:

- Before filling the system, please make sure that each fitting as well as unused ports are completely sealed.
- If there is any case of leaking, immediately turn off the power and clean the leak
- If there is any related electronic parts stained on liquid coolant, make sure to completely clean and dry the components. And then make sure they all work well.

- 1** After switching off the power supply, connect the PSU power cord and product cables.



- 2** Use the refill bottle to fill coolant into the reservoir



- 3** Place your PSU outside of the case and attach it to the pumps 4pin molex connector, turn on the power of PSU and make the rest of the system fills up.

### Thermaltake recommends the following steps to be taken after completing your water loop setup

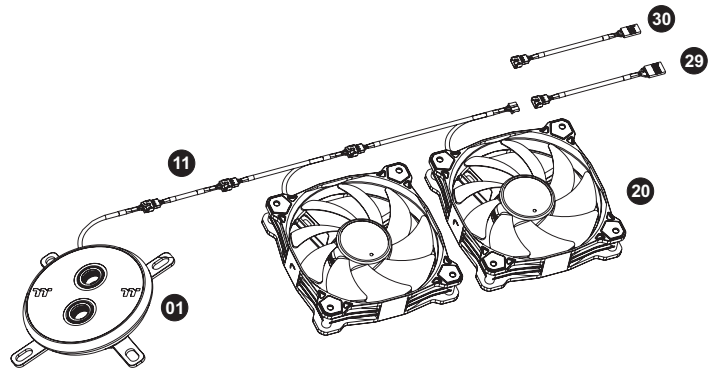
- It is strongly recommended to use market proven pre-mix coolant, such as Thermaltake Coolant 1000. It offers great performance while preventing the entire cooling system – copper, brass, nickel, aluminum, and steel – from corrosion.
- Fill the reservoir with coolant and cycle the power on and off several times while the pump pushing the coolant into the loop.
- DO NOT let the pump run dry, when there is no liquid entering the pump turn off your power immediately
- Fill the reservoir to the top as it will prevent air from going into the pump
- If necessary tilt the system slightly from side to side to bleed the air out of the loop.
- Place some paper towels under fittings and joining points to test for leaks.
- Run the loop with the fill port open for about 24 hours to completely bleed the air out of the loop.

## Motherboard SYNC installation Guide

### CAUTION

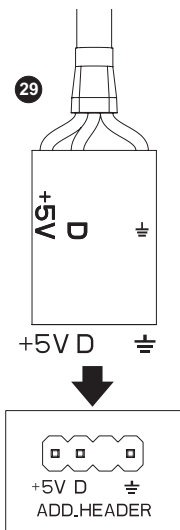
Please power off the PC and check the Positive and Negative ends on the connector before connecting the cable to motherboard. Connecting the wrong end can damage the LEDs.

Connect the Motherboard Signal Bridge Cable to fan led cable



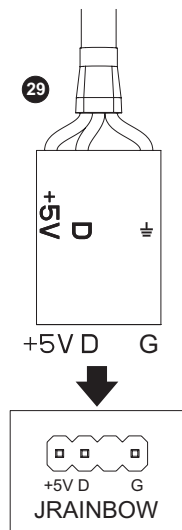
#### ASUS

Aura Addressable Strip Header(s)



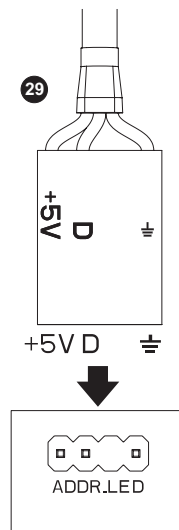
#### MSI

JRGB-strip Header(S)



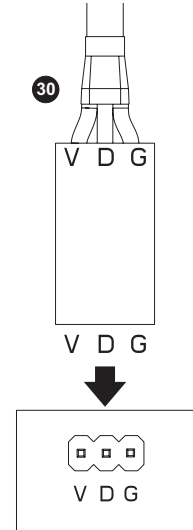
#### ASROCK

Addressable RGB LED Header(s)



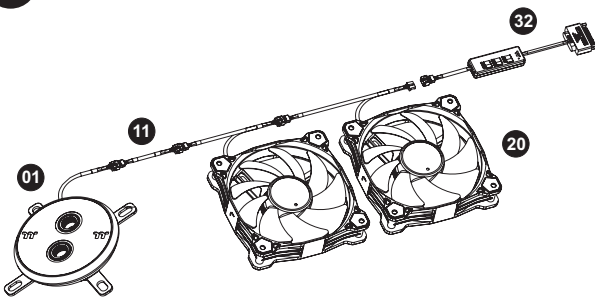
#### GIGABYTE

AORUS RGB Fusion with Digital LEDs



## ARGB Controller Installation Guide

**1** Connect the ARGB controller to the Fans.



**2** Connect the ARGB controller to the SATA connector.



### 1. Light Mode:

Switch over between 7 LED modes.

Wave → Full light → RGB Spectrum → Off → Flow → Radar → Pulse → Blink

### 2. Color Mode:

**When light mode is in Full Lighted, Pulse and Blink :**

Switch over 8 LED colors .

Red → Yellow → Green → Teal → Blue → White → Purple → Rainbow

**When light mode is in Ripple :**

Switch over 7 LED colors .

Red → Yellow → Green → Teal → Blue → White → Purple

**When light mode is in RGB Spectrum:**

Click to memorize and lock the color you want, click again to unlock the 256 colors auto rotation.

**When light mode is in Wave and Flow :**

LED color can not be adjusted.

### 3. Light Speed:

Switch over between 4 light modes.

Slow → Normal → Fast → Extreme