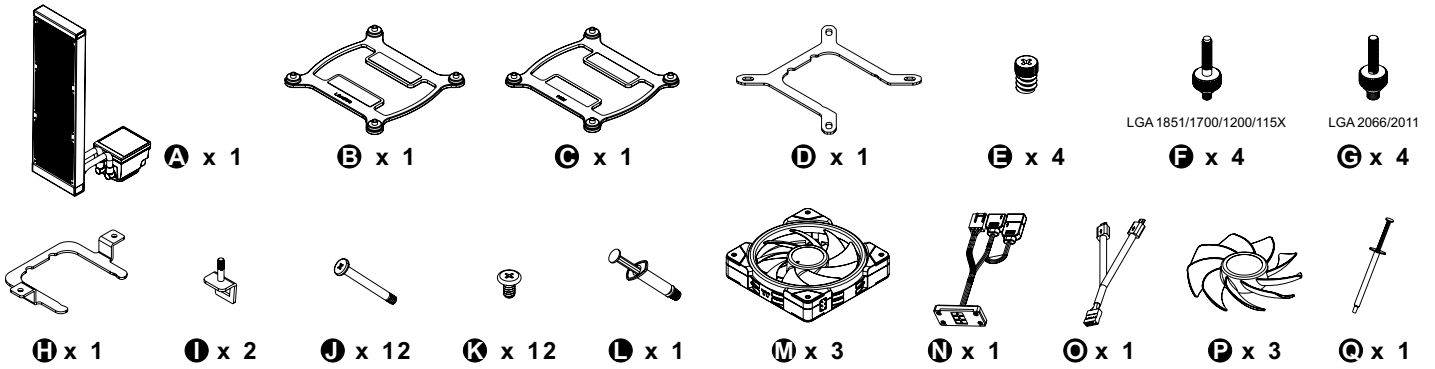
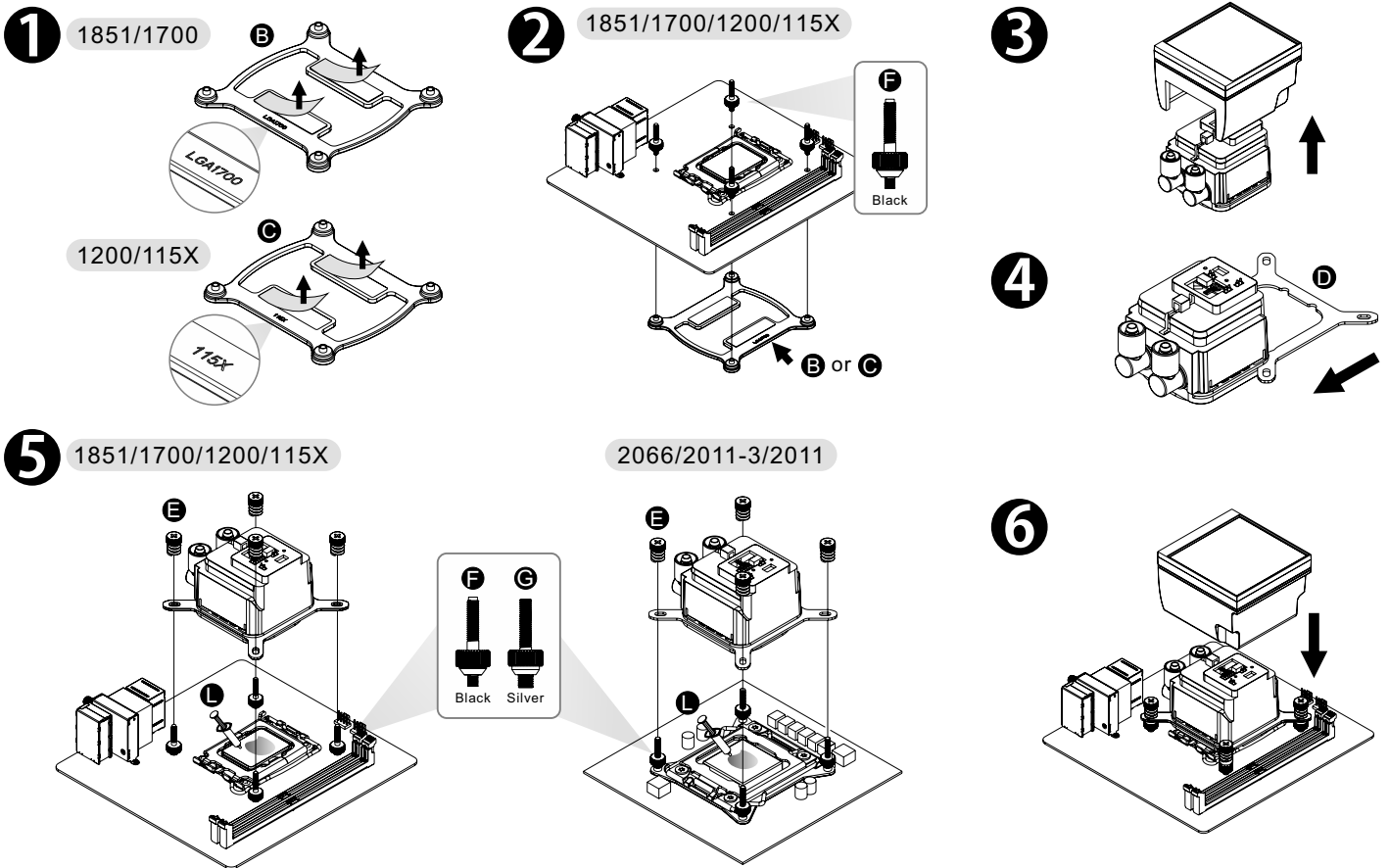




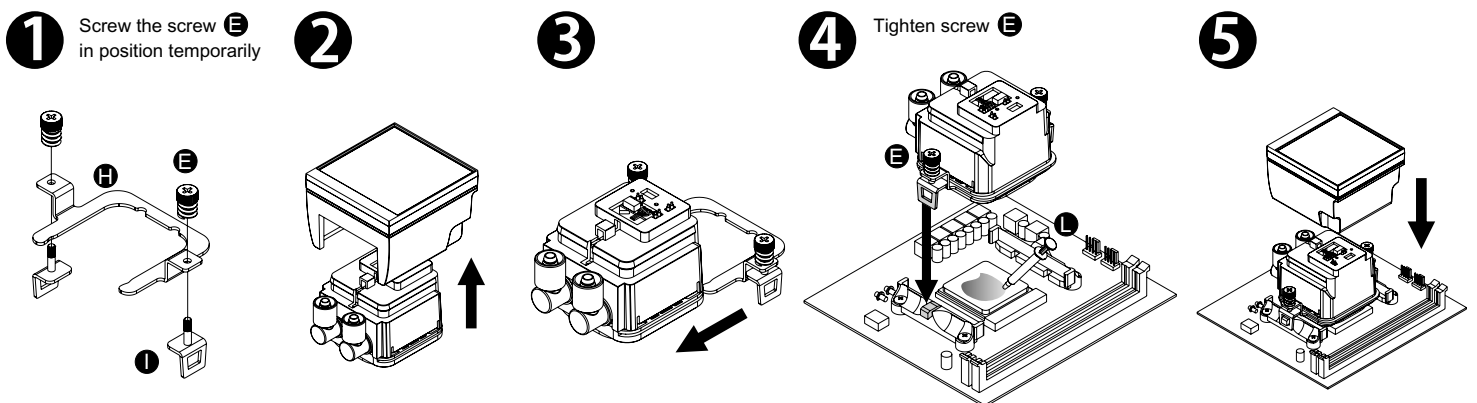
Parts List



Intel Installation Guide



AMD Installation Guide

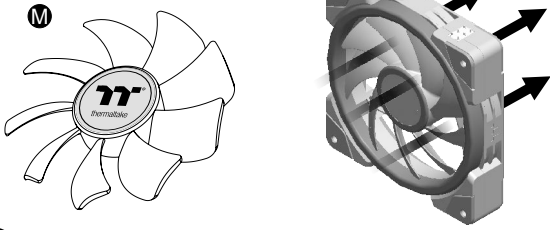


Installation Guide

1 Choose your fan blade type

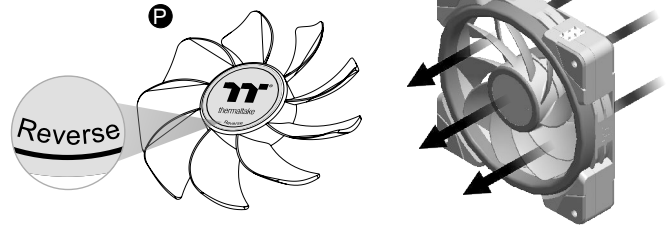
Standard Fan Blade (Pre installed on the fan **M**)

Airflow Direction:
Air Exhaust

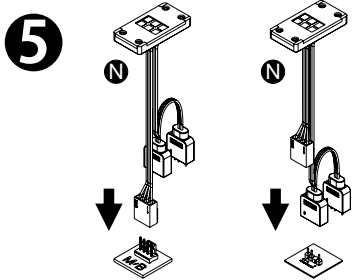
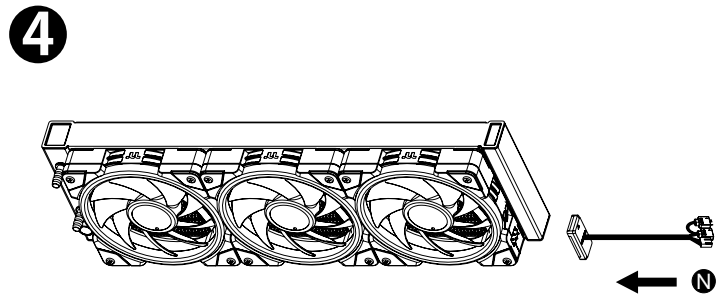
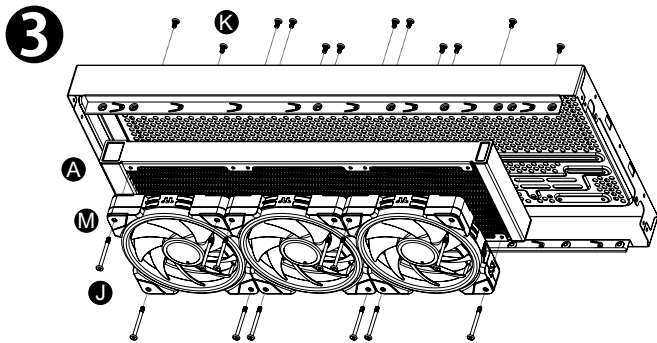
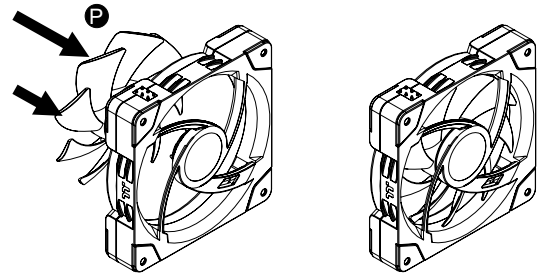
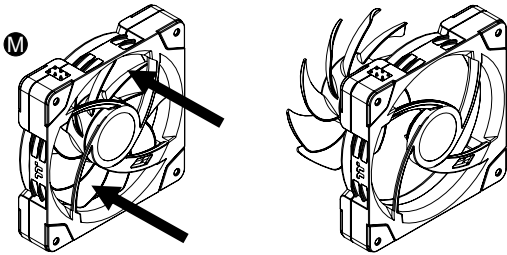


Reverse Fan Blade

Airflow Direction:
Air Intake

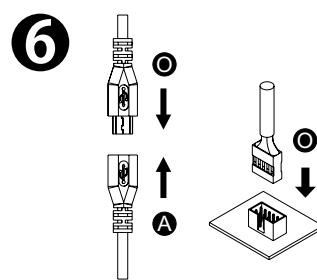


2 Replace fan blades



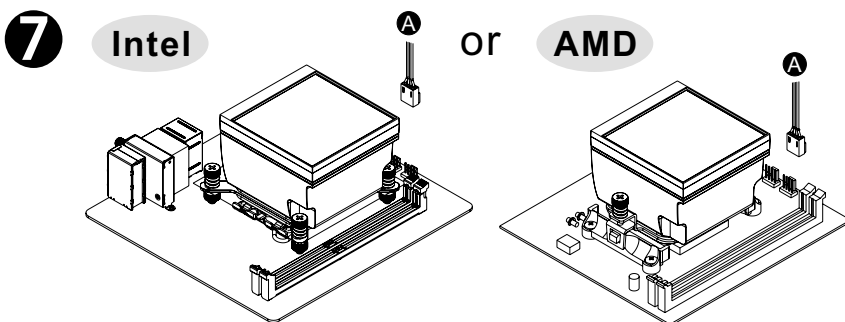
CAUTION

Please power off the PC and check the Positive and Negative ends on the connector before connecting the cable to motherboard. Connecting the wrong end can damage the fans.

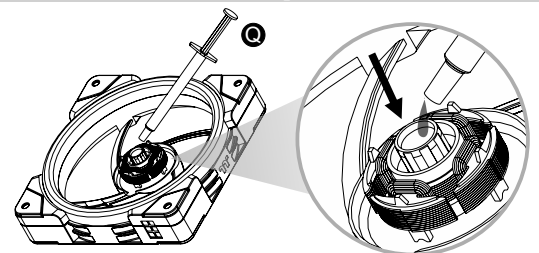


CAUTION

To control the LCD display by TT RGB PLUS Software, Please connect the water block and motherboard with cable O.



Oil Setup Guide



After replacing the fan blades several times, add the oil into the bearing (about 0.1ml)