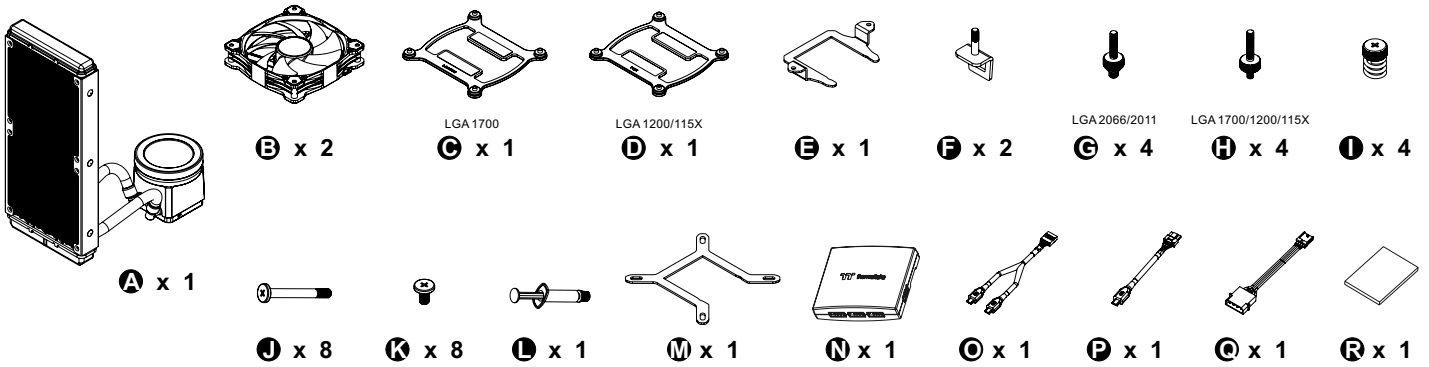
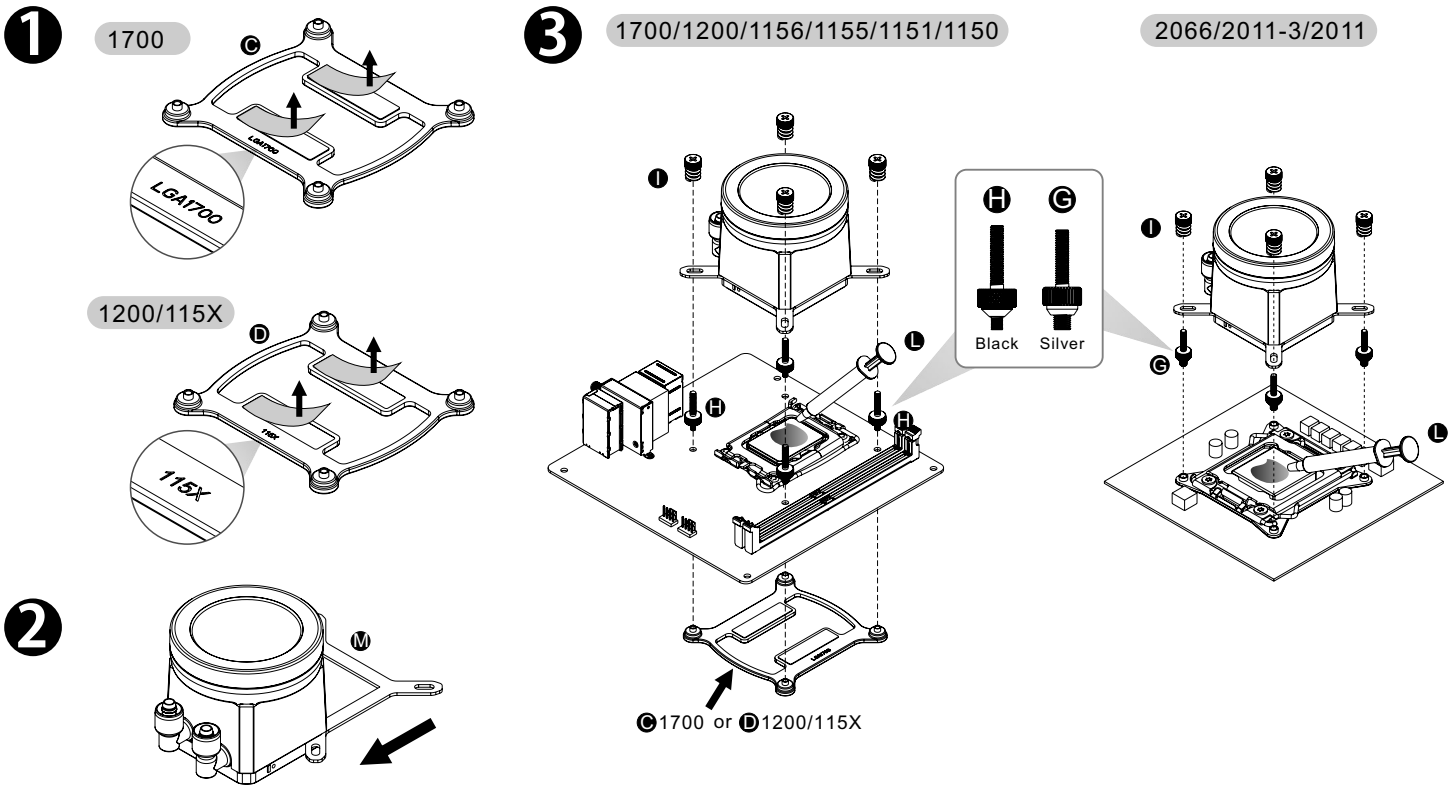




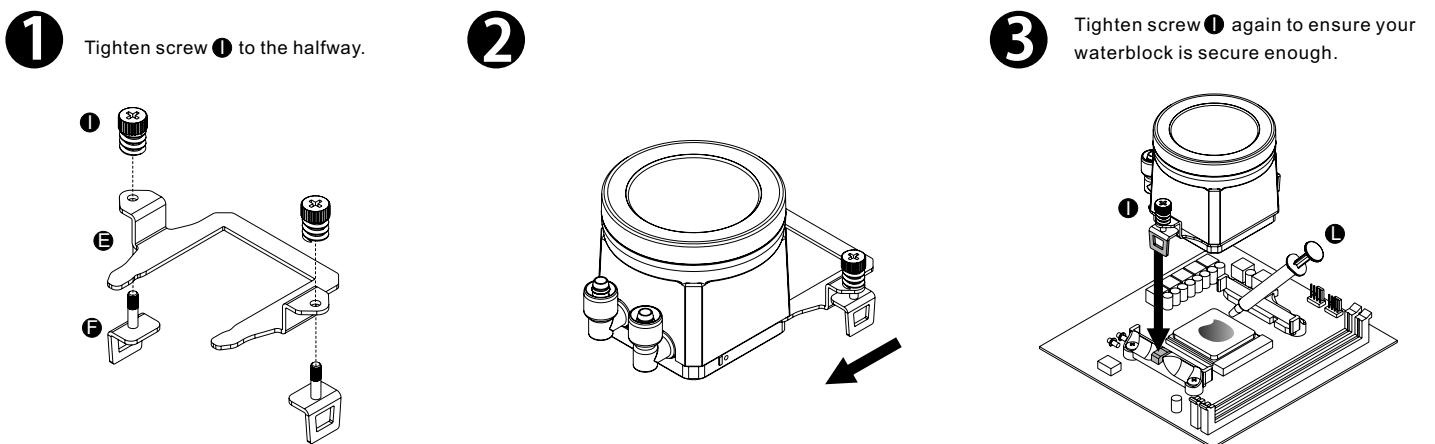
Parts List



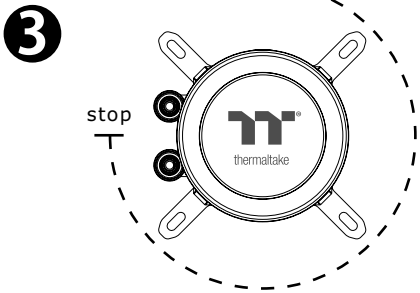
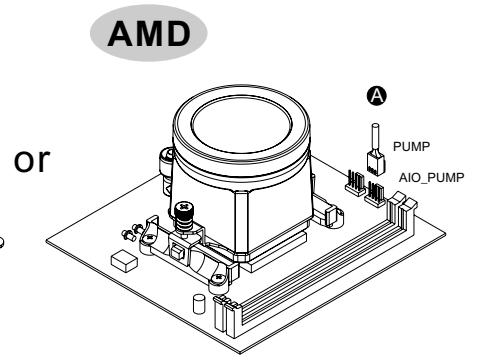
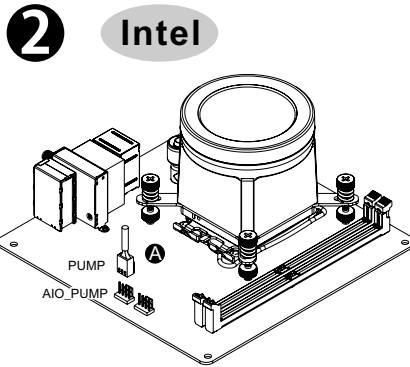
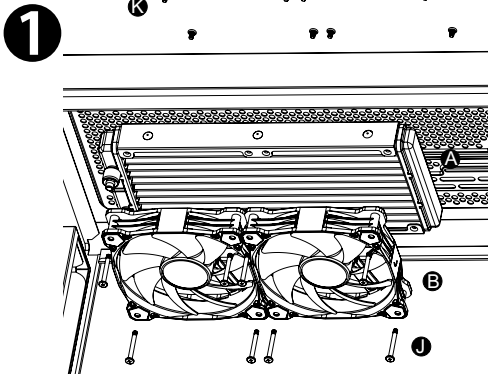
Intel Installation Guide



AMD Installation Guide

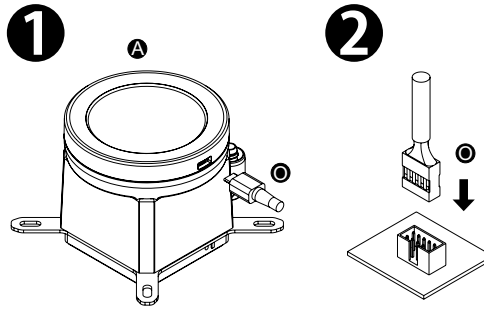


Installation Guide



Adjust the display to fit your PC build in clockwise rotation

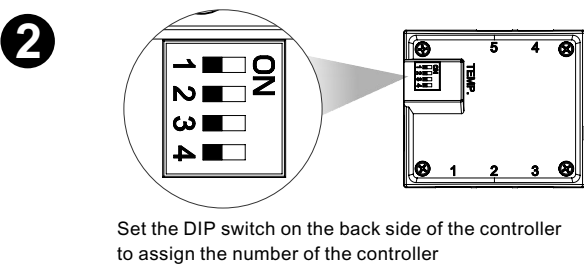
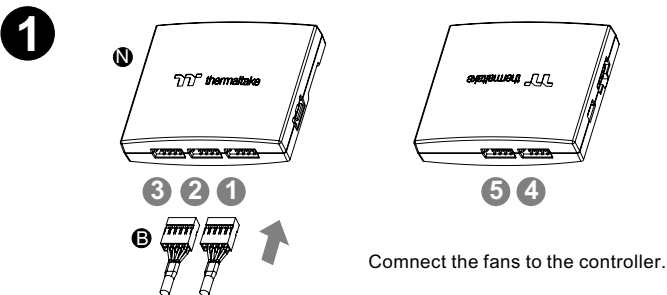
LCD Display Setup Guide



CAUTION

To control the LCD display by TT RGB PLUS Software, please connect the water block and motherboard with cable O.

Controller Installation Guide



NO.1 ON	NO.2 ON	NO.3 ON	NO.4 ON
NO.5 ON	NO.6 ON	NO.7 ON	NO.8 ON
NO.9 ON	NO.10 ON	NO.11 ON	NO.12 ON
NO.13 ON	NO.14 ON	NO.15 ON	NO.16 ON

