

* Picture is for reference only

CTE E660 MX

User's Manual
Benutzerhandbuch
Mode d'emploi
Manual del usuario
Manuale dell'utente
Manual do Utilizador

安裝說明書
用戶手冊
ユーザーズマニュアル
Руководство пользователя
kullanıcı elkitabı
(EEE Yönetmeliğine Uygundur)
คู่มือการใช้งาน



© 2024 Thermaltake Technology Co., Ltd. All Rights Reserved. 2024.04
All other registered trademarks belong to their respective companies. www.thermaltake.com



TT Premium



TT Premium

To continue achieving the corporate mission of delivering the perfect user experience, Thermaltake developed "TT Premium" with the essence of combining supreme quality products with a new logo design. TT Premium is far more than just a guarantee of quality. Behind the name, it represents the passion in DIY, Modding and Thermaltake's desire to be the most innovative brand in the PC hardware market. To satisfy the demand of the high-end PC users, TT Premium follows its core values of Excellent Quality, Unique Design, Diverse Combinations and Boundless Creativity to provide a high performance PC product for every enthusiast. <http://tppremium.com>

Tt LCS-Liquid Cooling Support Certification



Tt LCS Certified is a Thermaltake exclusive certification applied to only products that pass the design and hardcore enthusiasts standards that a true LCS chassis should be held to. The Tt LCS certification was created so that we at Thermaltake can designate to all power users which chassis have been tested to be best compatible with extreme liquid cooling configurations to ensure you get the best performance from the best features and fitment.

Join Tt Community To Receive Benefits



Dear Valued Customer,
Thank you for choosing Thermaltake.
As a new user we value your thoughts and opinions and your feedback is important to us. We at Thermaltake would like to use this opportunity to invite you to join our Community Forums. Register today to start enjoying the full benefits of our community.



Benefits of being a member:

- Quick and responsive user support
- Receive help and advice with new builds
- Keep up to date with new product releases
- Share your thoughts and builds with the community
- Enter monthly contests and giveaways

Brand official website
<http://www.thermaltake.com/>

Global Facebook
<https://www.facebook.com/ThermaltakeInc>

Taiwan Facebook
<http://www.facebook.com/ThermaltakeTW>

Global community forums
<http://community.thermaltake.com>

CONTENTS

Chapter 1. Product Introduction

1.0	Specification	01
1.1	Accessory	02
1.2	Warning and Notice	03

Chapter 2. Installation Guide

2.0	Remove Panels	06
2.1	Power Supply Unit (PSU) Installation	07
2.2	Motherboard Installation	08
2.3	3.5" HDD Installation	09
2.4	2.5" SSD Installation	10
2.5	VGA Card Installation	11
2.6	Air Cooling Installation	15
2.7	AIO Liquid Cooling Installation	16
2.8	Liquid Cooling Installation	17
2.9	I/O Connection	19
2.10	Remove Filters	20

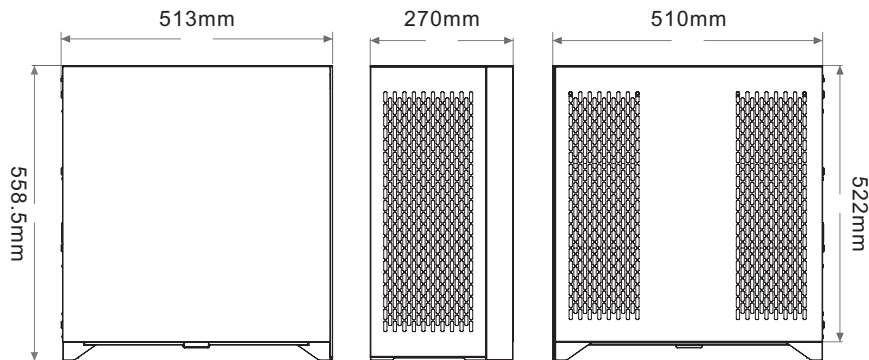
Case Type	Mid Tower
Dimension (H*W*D)	558.5 x 270 x 513 mm (21.99 x 10.63 x 20.2 inch)
Panel	Tempered Glass x 2
Material	SPCC
Drive Bays	3 x 3.5", 1 x 2.5" or 2 x 3.5", 2 x 2.5
Expansion Slots	7
Motherboards	6.7" x 6.7" (Mini ITX), 9.6" x 9.6" (Micro ATX), 12" x 9.6" (ATX), 12" x 10.5" (E-ATX)
I/O Port	USB 3.0 x 2, Type-C x 1, HD Audio x 1
PSU	Standard PS2 PSU (optional)
Fan Support	Front: 3 x 120mm, 2 x 120mm, 1 x 120mm 3 x 140mm, 2 x 140mm, 1 x 140mm
	Top: 2 x 120mm, 1 x 120mm
	Right (M/B Side): 3 x 120mm, 2 x 120mm, 1 x 120mm 3 x 140mm, 2 x 140mm, 1 x 140mm
	Rear: 3 x 120mm, 2 x 120mm, 1 x 120mm 3 x 140mm, 2 x 140mm, 1 x 140mm
	Bottom: 3 x 120mm, 2 x 120mm, 1 x 120mm 3 x 140mm, 2 x 140mm, 1 x 140mm
Radiator Support	Front: 1 x 360mm, 1 x 240mm, 1 x 120mm 1 x 420mm, 1 x 280mm, 1 x 140mm
	Top: 1 x 240mm, 1 x 120mm
	Right (M/B Side): 1 x 360mm, 1 x 240mm, 1 x 120mm 1 x 420mm, 1 x 280mm, 1 x 140mm
	Rear: 1 x 360mm, 1 x 240mm, 1 x 120mm 1 x 420mm, 1 x 280mm, 1 x 140mm
	Bottom (DIY only): 1 x 360mm, 1 x 240mm, 1 x 120mm 1 x 420mm, 1 x 280mm, 1 x 140mm
Clearance	CPU cooler max height: 166mm VGA max length: 415mm (With radiator) 443.8mm (Without radiator) PSU max length: 220mm

Figure	Part Name	Q'ty	Used For
	Stand-off #6-32 x 6.5mm	4	PCI-E Riser Cable Bracket -C / Backup
	Screw #6-32 x 6mm	4	Power Supply
	Screw #6-32 x 5mm	30	Motherboard / 3.5" HDD / Riser Cable Bracket -A-B-C / Riser Cable / VGA
	Screw M3 x 5mm	8	2.5" HDD / SSD
	Nut Setter	1	Motherboard Stand-off
	Screw Ø5 x 10mm	12	Case Fan
	Clip	5	Side Panel
	Zip Ties	10	Cable Management
	Cable Ties	10	Cable Management
	Buzzer	1	Motherboard Alarm
	PCI-E Riser Cable Bracket-A	1	Vertical VGA Mount
	PCI-E Riser Cable Bracket-B	1	Floating VGA Mount
	PCI-E Riser Cable Bracket-C	1	Floating VGA Mount
	PCI-E 4.0 Dual 90° Riser Cable 400mm	1	Floating VGA Mount

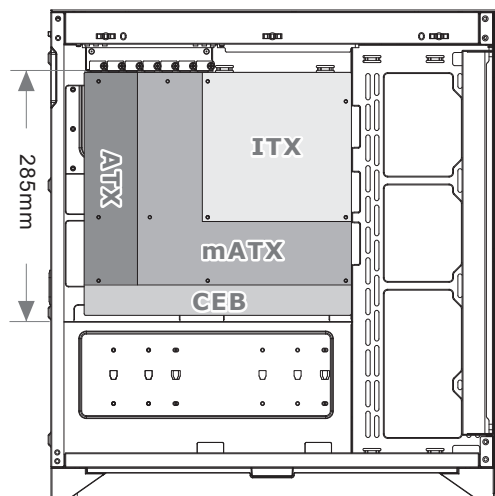
Additional Tempered Glass Panel

Figure	Part Name	Q'ty	Used For
	Tempered Glass Panel	1	Front Panel Option

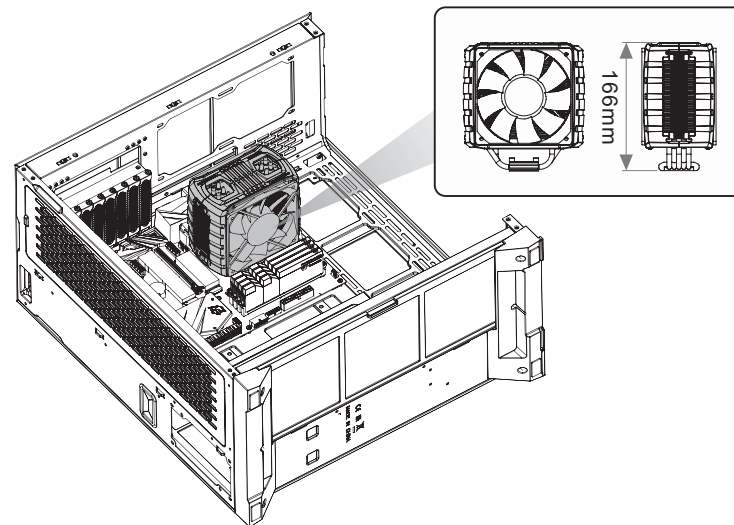
Chassis dimension



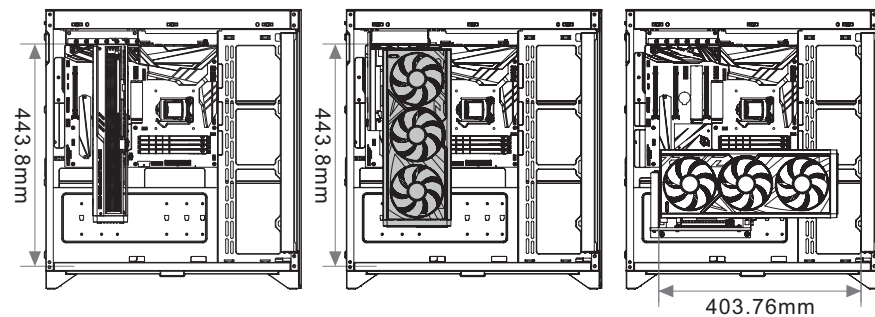
Motherboard compatibility: ITX / mATX / ATX / E-ATX
(Up to 285mm wide)



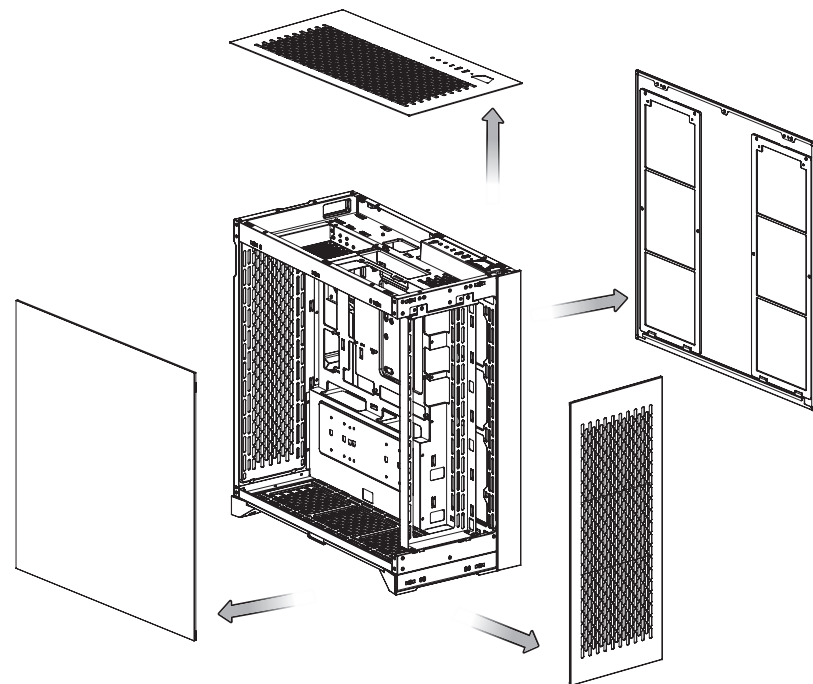
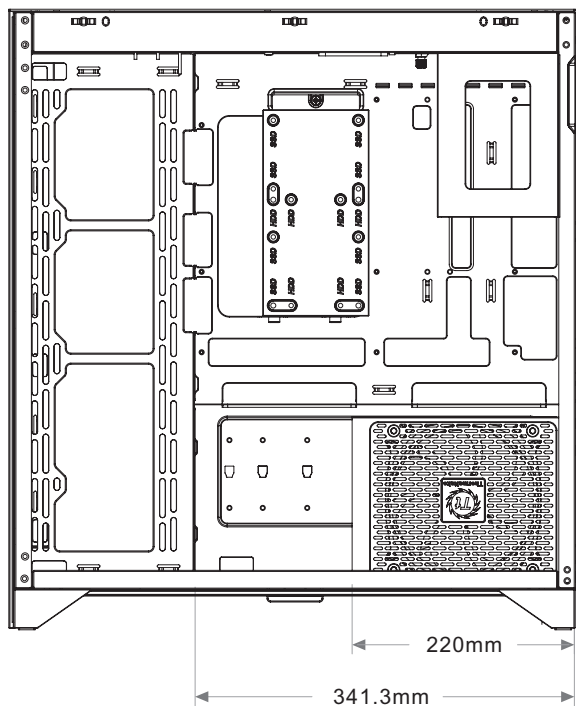
CPU cooler max height: 166mm

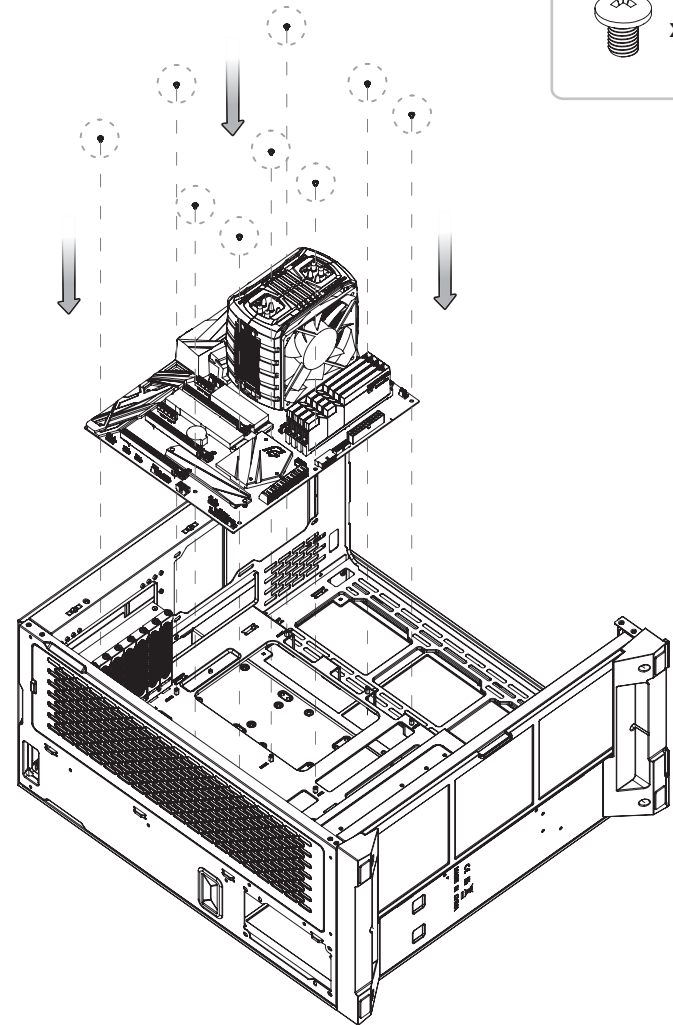
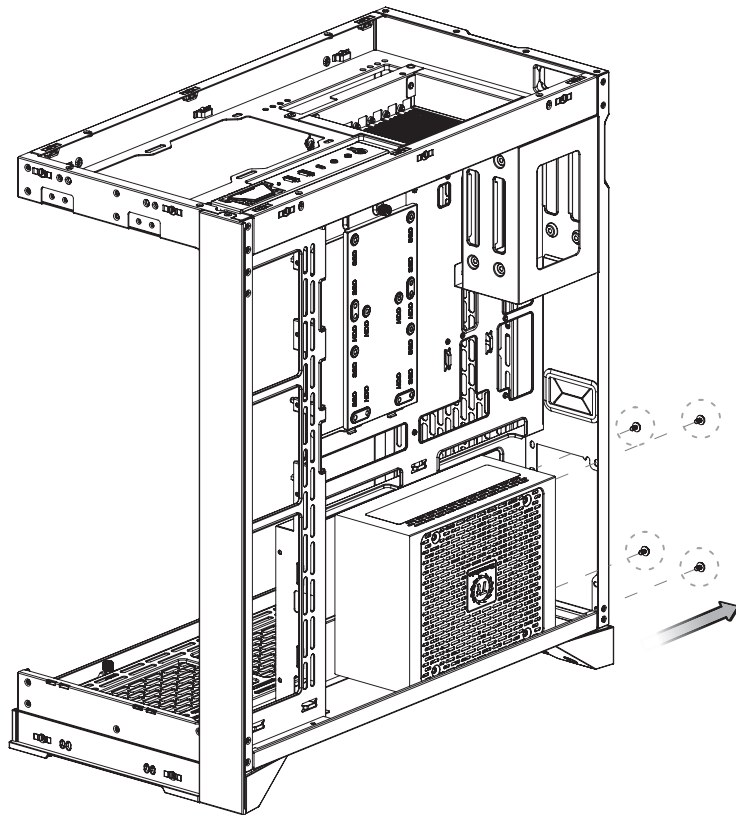


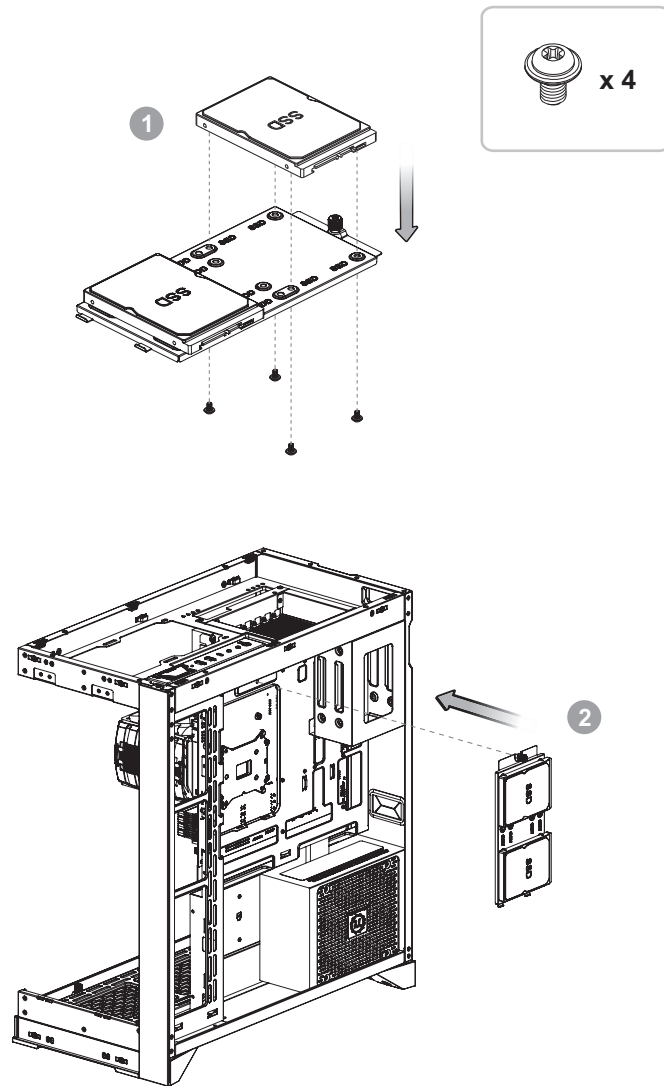
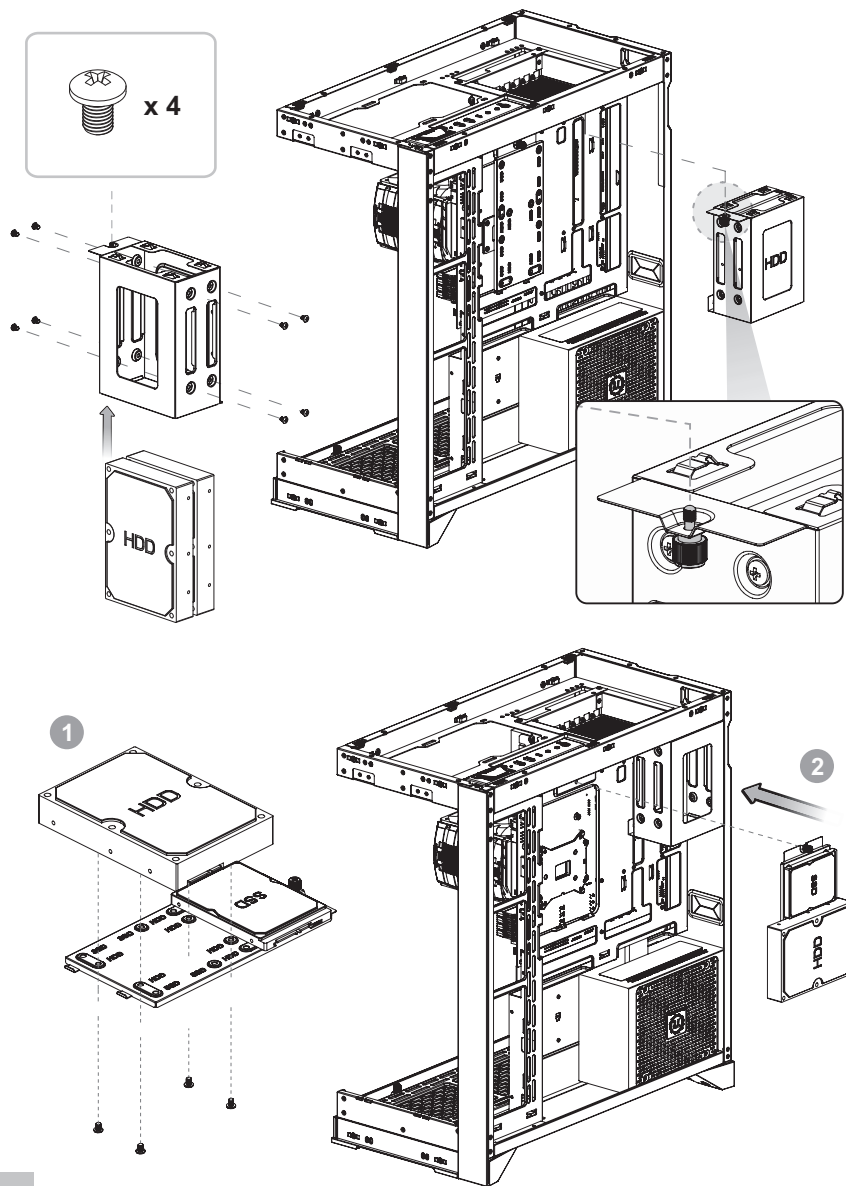
VGA max length: 443.8mm



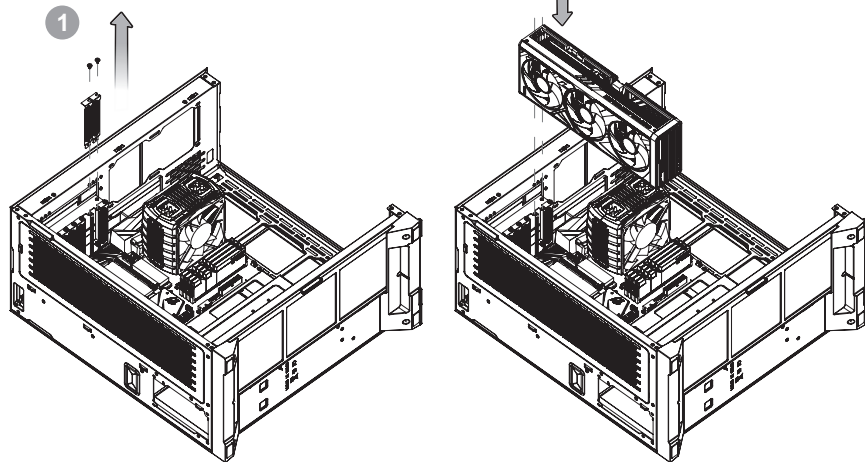
PSU max length: 220 mm



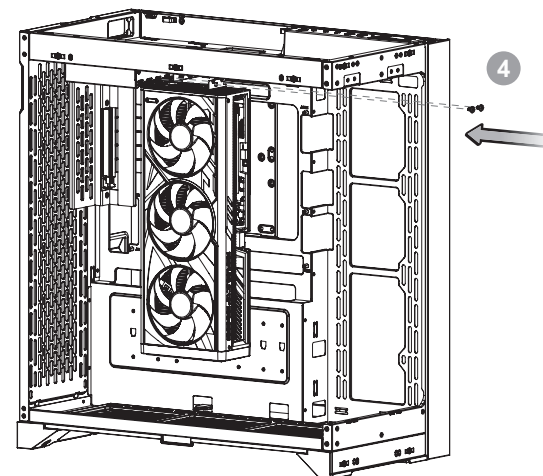
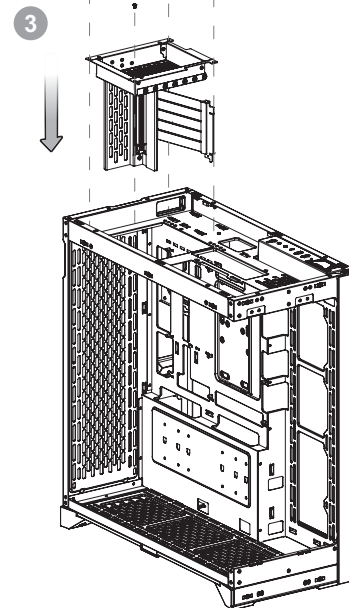
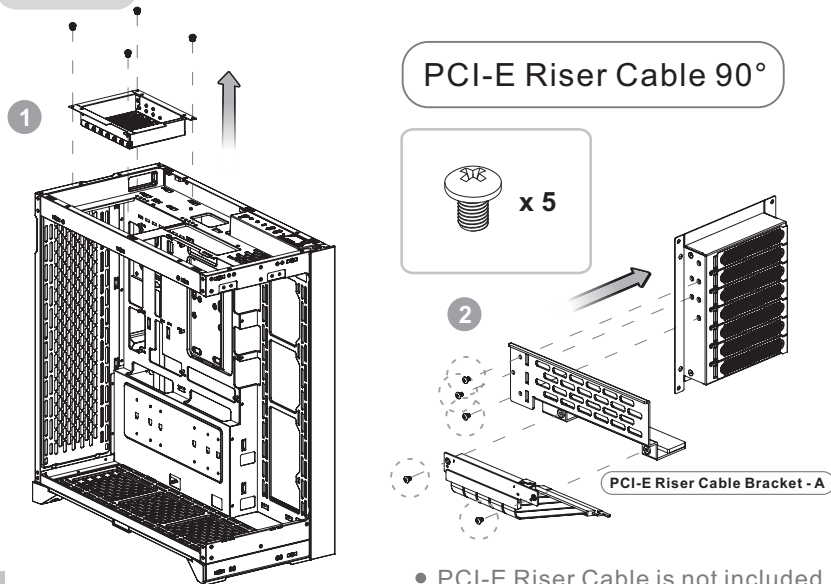




Type A



Type B



Type C

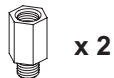
1

PCI-E 4.0 Dual 90° Riser Cable(400mm)

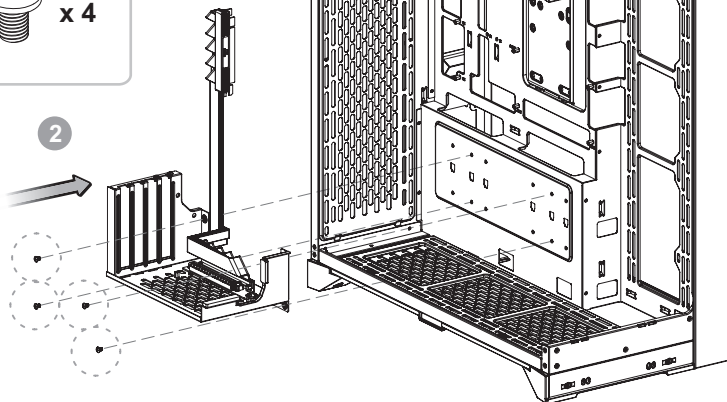


PCI-E Riser Cable Bracket - B

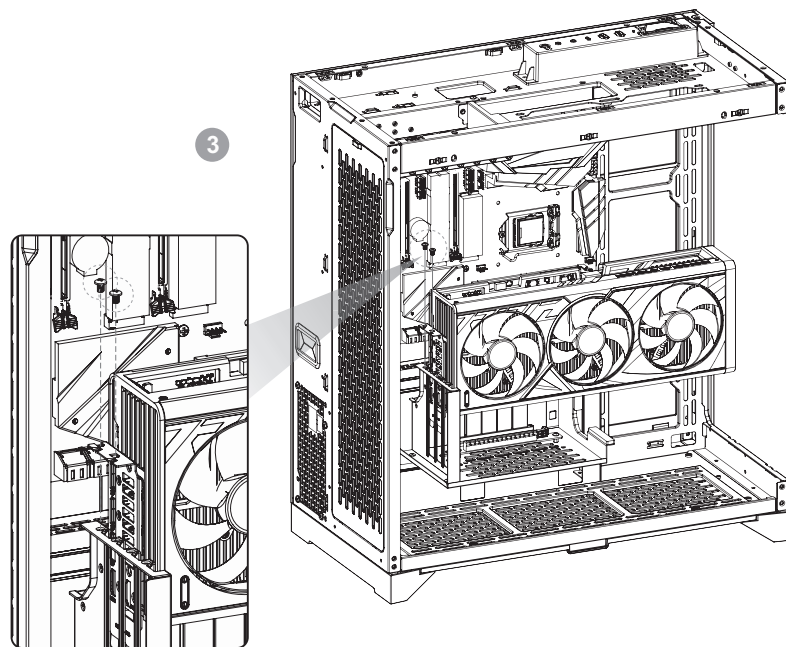
PCI-E Riser Cable Bracket - C

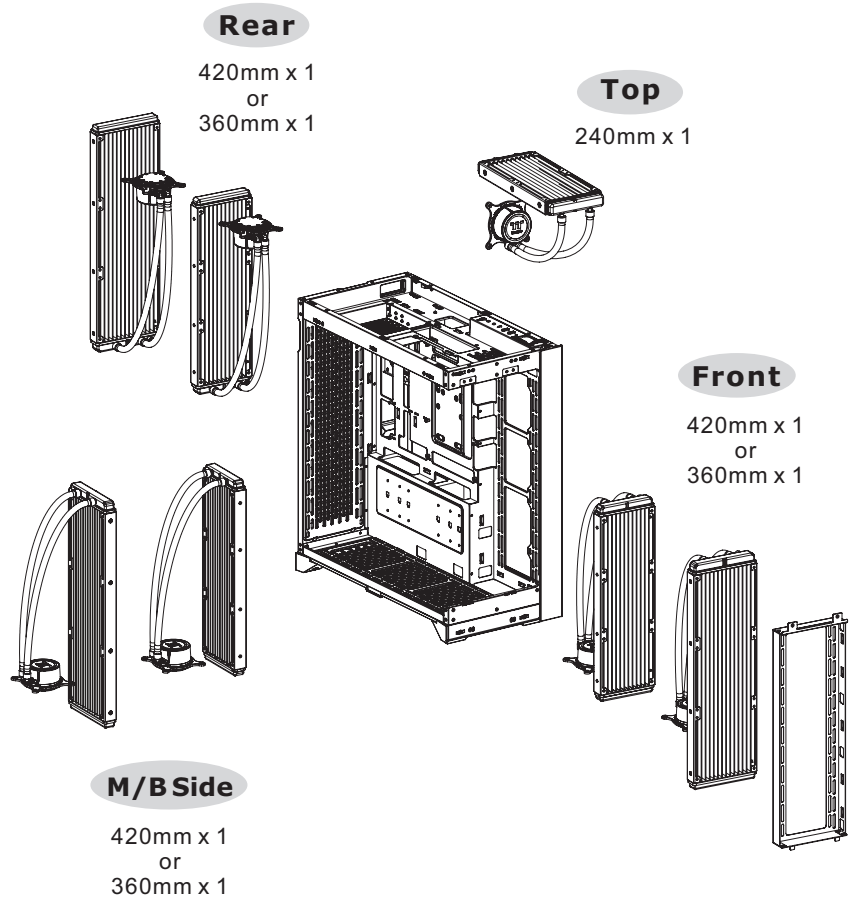
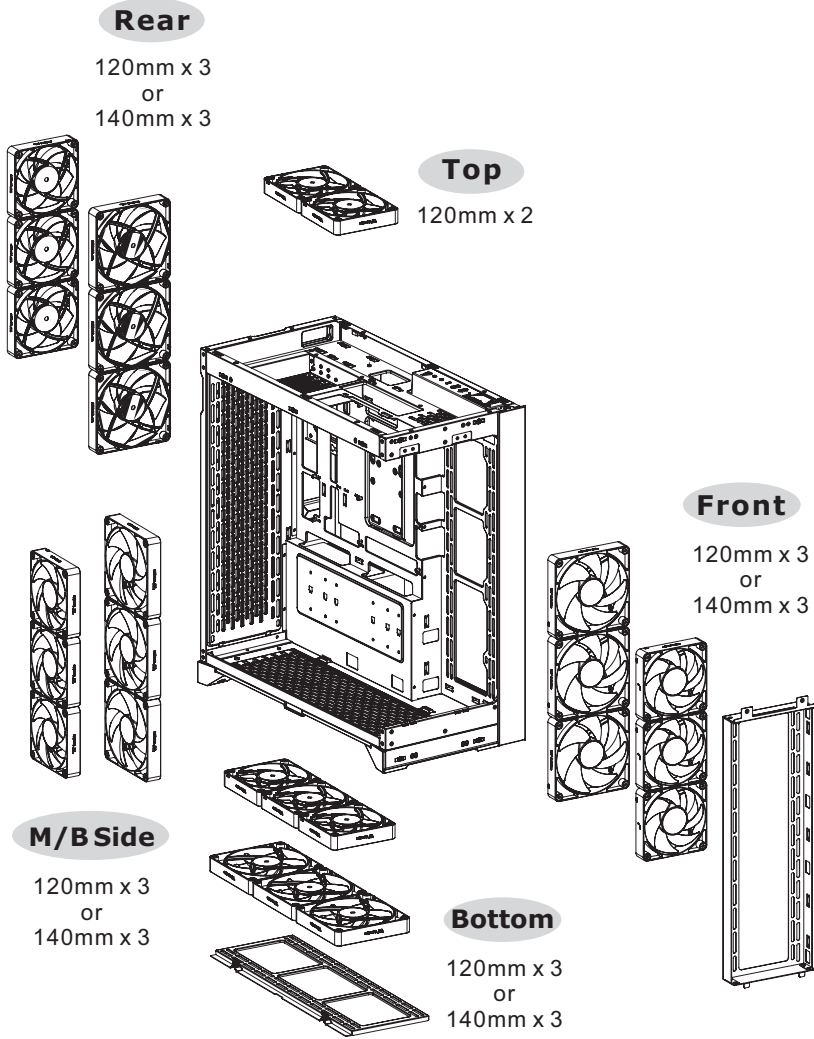


2



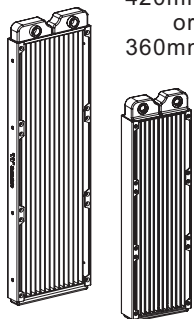
3





Rear

420mm x 1
or
360mm x 1



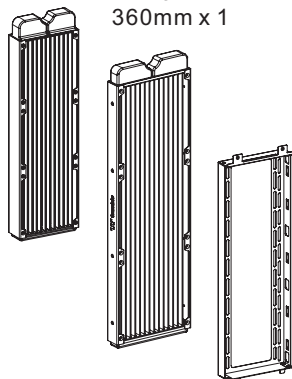
Top

240mm x 1



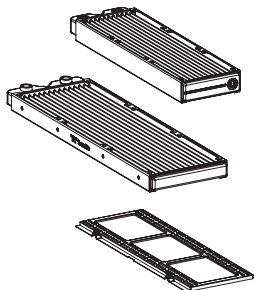
Front

420mm x 1
or
360mm x 1



M/B Side

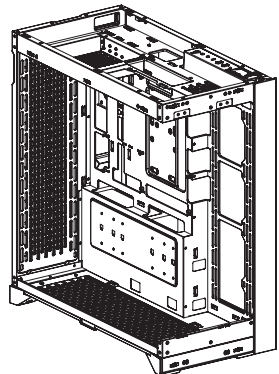
420mm x 1
or
360mm x 1



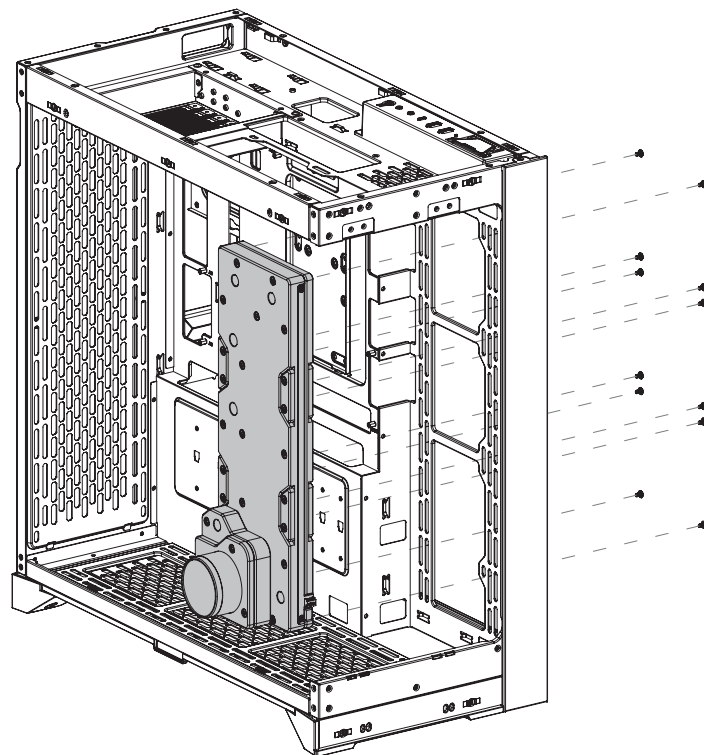
Bottom

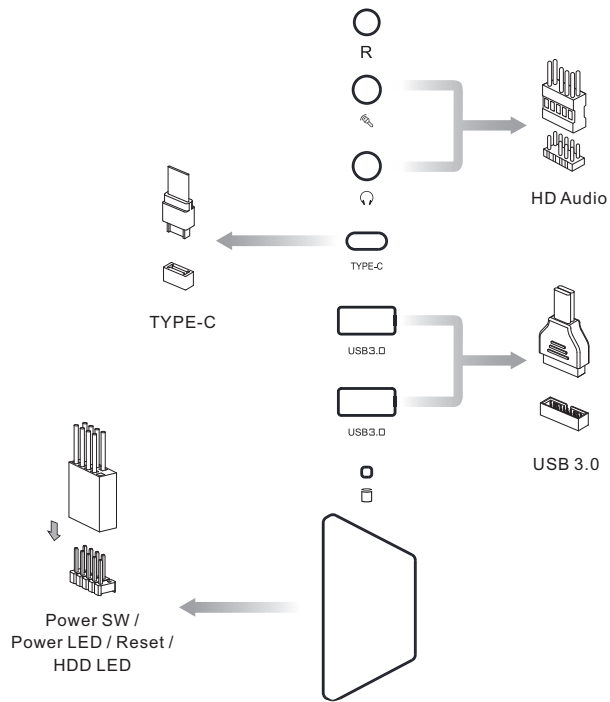
420mm x 1
or
360mm x 1

- Width Limitation: 140mm



Pacific DP100-D5 Plus Distro-Plate





Motherboard Header Diagram

