

CTE C700 TG ARGB

User's Manual	安裝說明書
Benutzerhandbuch	用戶手冊
Mode d'emploi	用戶手冊
Manual del usuario	用戶手冊
Manuale dell'utente	用戶手冊
Manual do Utilizador	用戶手冊

(EEE Yönetmeliğine Uygundur)



Official Website



© 2023 Thermaltake Technology Co., Ltd. All Rights Reserved. 2023.04
All other registered trademarks belong to their respective companies. www.thermaltake.com



TT Premium



TT Premium

To continue achieving the corporate mission of delivering the perfect user experience, Thermaltake developed "TT Premium" with the essence of combining supreme quality products with a new logo design. TT Premium is far more than just a guarantee of quality. Behind the name, it represents the passion in DIY, Modding and Thermaltake's desire to be the most innovative brand in the PC hardware market. To satisfy the demand of the high-end PC users, TT Premium follows its core values of Excellent Quality, Unique Design, Diverse Combinations and Boundless Creativity to provide a high performance PC product for every enthusiast. <http://tppremium.com>

Tt LCS-Liquid Cooling Support Certification



Tt LCS Certified is a Thermaltake exclusive certification applied to only products that pass the design and hardcore enthusiasts standards that a true LCS chassis should be held to. The Tt LCS certification was created so that we at Thermaltake can designate to all power users which chassis have been tested to be best compatible with extreme liquid cooling configurations to ensure you get the best performance from the best features and fitment.

Join Tt Community To Receive Benefits



Dear Valued Customer,
Thank you for choosing Thermaltake.
As a new user we value your thoughts and opinions and your feedback is important to us. We at Thermaltake would like to use this opportunity to invite you to join our Community Forums. Register today to start enjoying the full benefits of our community.



Benefits of being a member:

- Quick and responsive user support
- Receive help and advice with new builds
- Keep up to date with new product releases
- Share your thoughts and builds with the community
- Enter monthly contests and giveaways

Brand official website
<http://www.thermaltake.com/>

Global Facebook
<https://www.facebook.com/ThermaltakeInc>

Taiwan Facebook
<http://www.facebook.com/ThermaltakeTW>

Global community forums
<http://community.thermaltake.com>

CONTENTS

Chapter 1. Product Introduction

1.0	Specification	01
1.1	Accessory	02
1.2	Warning and Notice	03

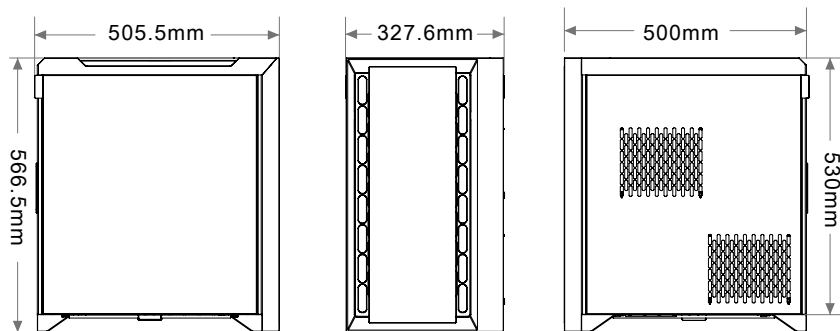
Chapter 2. Installation Guide

2.0	Remove Components	06
2.1	Power Supply Unit (PSU) Installation	07
2.2	Motherboard Installation	08
2.3	VGA Card Installation	09
2.4	3.5" & 2.5" HDD Installation	13
2.5	Air Cooling Installation	13
2.6	Pump Installation	15
2.7	Liquid Cooling Installation	16
2.8	AIO Liquid Cooling Installation	17
2.9	Air Cooling Installation	18
2.10	I/O Connection	19
2.11	ARGB Control Instruction	19
2.12	Remove Filters	20

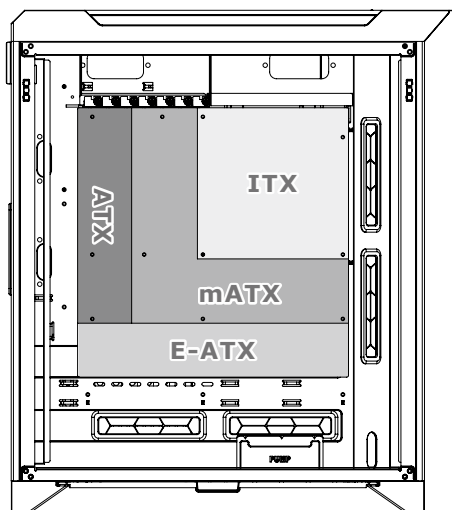
Case Type	Mid Tower
Dimension (H*W*D)	566.5 x 327.6 x 505.5 mm (22.3 x 12.9 x 19.9 inch)
Side Panel	Tempered Glass x 1
Material	SPCC / ABS
Cooling System	<p>Front (intake) : 140 x 140 x 25 mm CT140 ARGB fan (1500rpm, 30.5 dBA) x 1</p> <p>Top (exhaust) : 140 x 140 x 25 mm CT140 ARGB fan (1500rpm, 30.5 dBA) x 1</p> <p>Rear (intake) : 140 x 140 x 25 mm CT140 ARGB fan (1500rpm, 30.5 dBA) x 1</p>
Drive Bays	7 x 3.5" or 6 x 2.5"
Expansion Slots	7
Motherboards	6.7" x 6.7" (Mini ITX), 9.6" x 9.6" (Micro ATX), 12" x 9.6" (ATX), 12" x 13" (E-ATX)
I/O Port	USB 3.2 (Gen 2) Type-C x 1, USB 3.0 x 2, HD Audio x 1
PSU	Standard PS2 PSU (optional)
Fan Support	Front: 3 x 120mm, 2 x 120mm, 1 x 120mm 3 x 140mm, 2 x 140mm, 1 x 140mm 2 x 200mm, 1 x 200mm
	Top: 2 x 120mm, 1 x 120mm 2 x 140mm, 1 x 140mm
	Right: 1 x 120mm, 1 x 140mm
	Rear: 3 x 120mm, 2 x 120mm, 1 x 120mm 3 x 140mm, 2 x 140mm, 1 x 140mm
	Bottom: 3 x 120mm, 2 x 120mm, 1 x 120mm 2 x 140mm, 1 x 140mm
Radiator Support	Front: 1 x 360mm, 1 x 240mm, 1 x 120mm 1 x 420mm (AIO only), 1 x 280mm, 1 x 140mm
	Rear: 1 x 360mm, 1 x 240mm, 1 x 120mm 1 x 420mm (AIO only), 1 x 280mm, 1 x 140mm
	Bottom: 1 x 360mm, 1 x 240mm, 1 x 120mm 1 x 280mm, 1 x 140mm
Clearance	<p>CPU cooler max height: 190mm</p> <p>VGA max length: 327mm (With radiator) 410mm (Without radiator)</p> <p>PSU max length: 220mm</p>

Figure	Part Name	Q'ty	Used For
	Stand-off #6-32 x 6.5mm	5	Motherboard
	Screw #6-32 x 6mm	4	Power Supply
	Screw #6-32 x 5mm	41	3.5" HDD / Riser Cable Bracket / Riser Cable / VGA Stand
	Screw M3 x 5mm	36	Motherboard / SSD / 2.5" HDD
	Nut Setter	1	Motherboard Stand-off Installation
	Screw Ø5 x 12mm	10	Case Fan
	Thumb Screw #6-32 x 5mm	5	VGA Holder / Backup
	Zip Ties	10	Cable Management
	Cable ties	10	Cable Management
	Buzzer	1	Motherboard Alarm
	Screw #6-32-31L	4	Case Fan
	Clip	5	Side Panel
	PCI-E Riser Cable Bracket-A	1	PCI-E Riser Cable
	PCI-E Riser Cable Bracket-B	1	PCI-E Riser Cable
	PCI-E Riser Cable Bracket-C	1	PCI-E Riser Cable
	VGA-Stand	1	VGA
	VGA-Holder-A	1	VGA
	VGA-Holder-B	1	VGA
	Rubber	6	VGA Protection

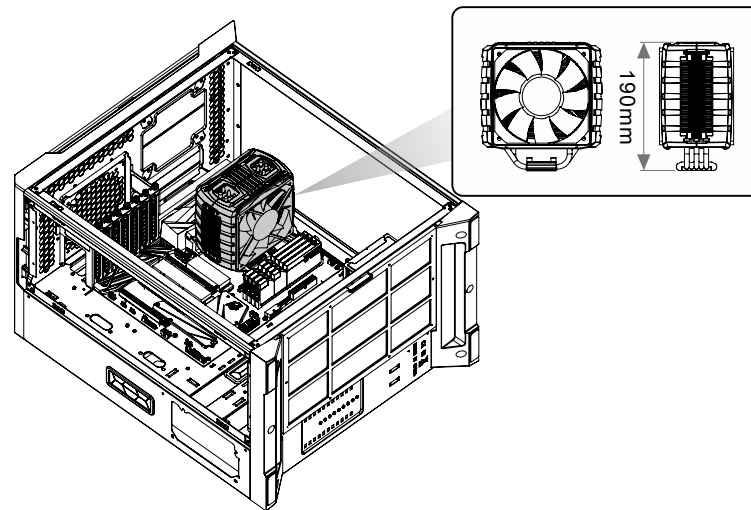
Chassis dimension



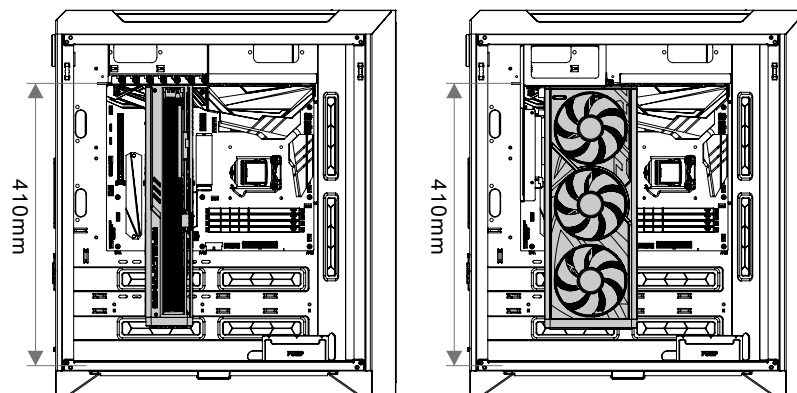
Motherboard compatibility: ITX / mATX / ATX / E-ATX
(Up to 330.2mm wide)



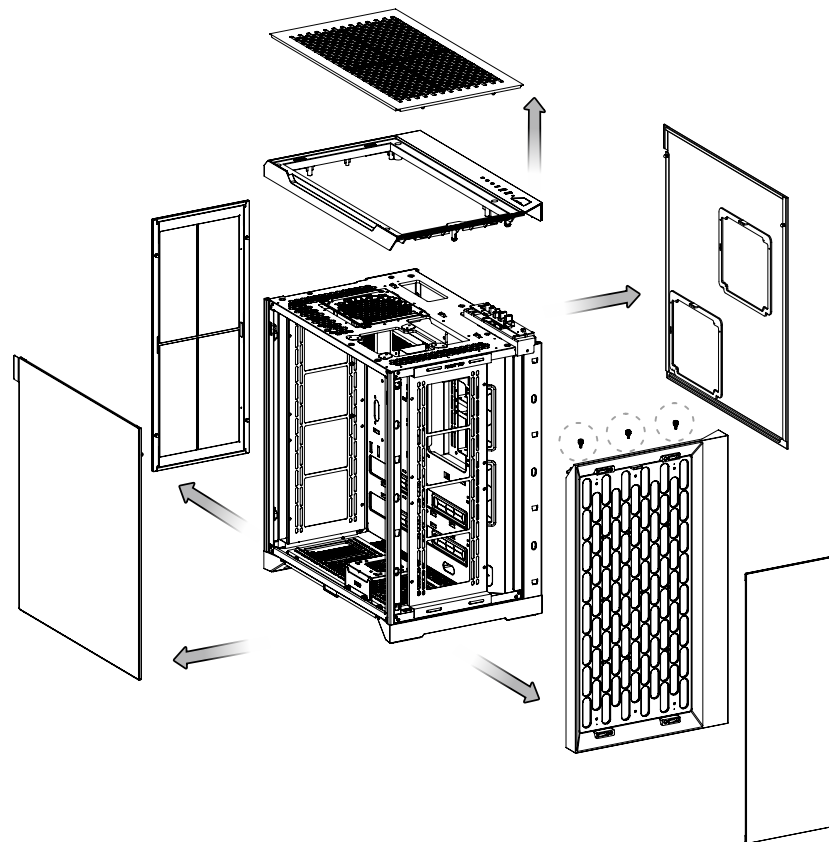
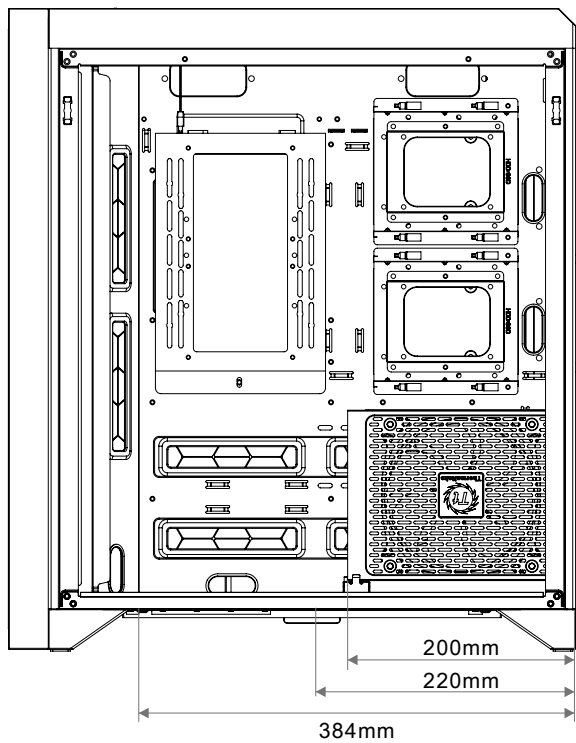
CPU cooler max height: 190mm



VGA max length: 410mm

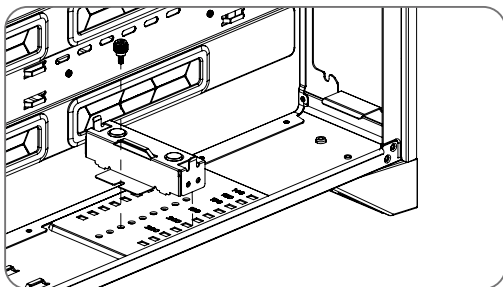


PSU max length: 220 mm

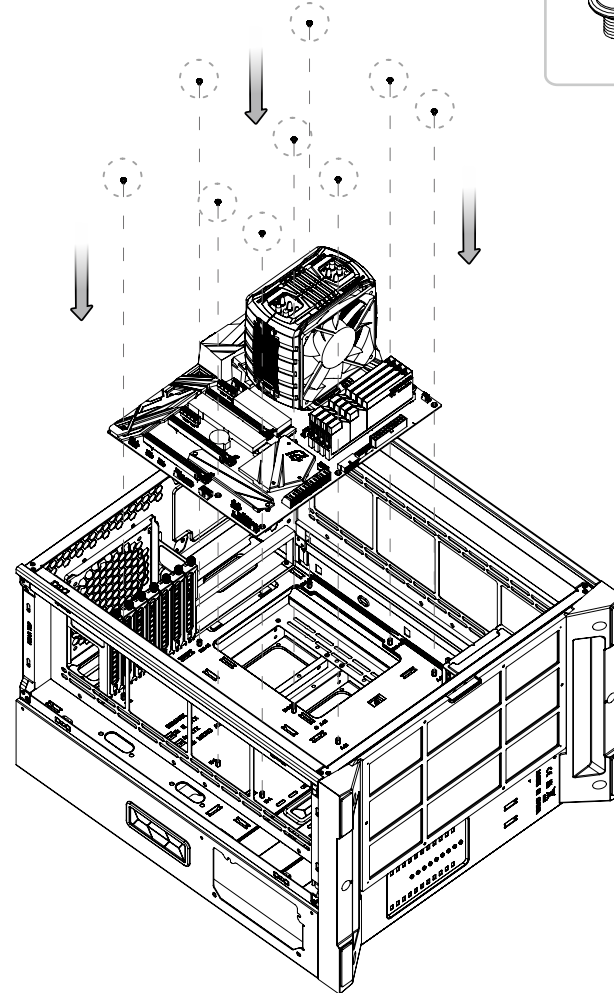
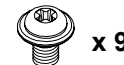
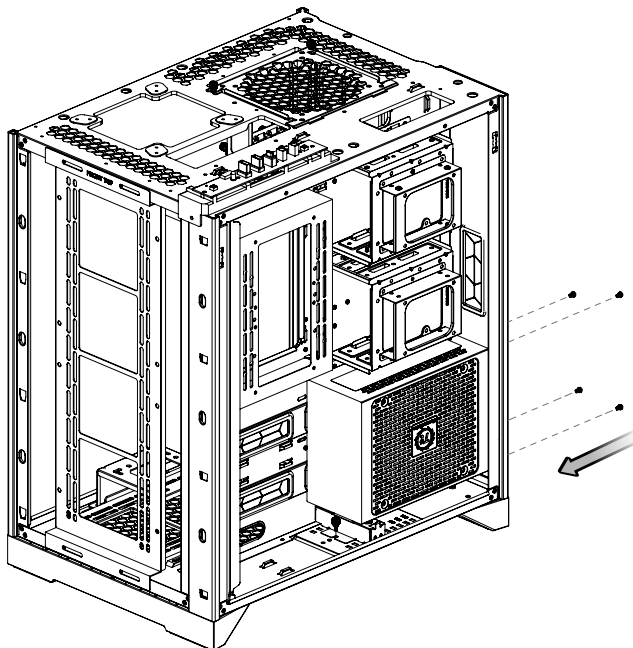




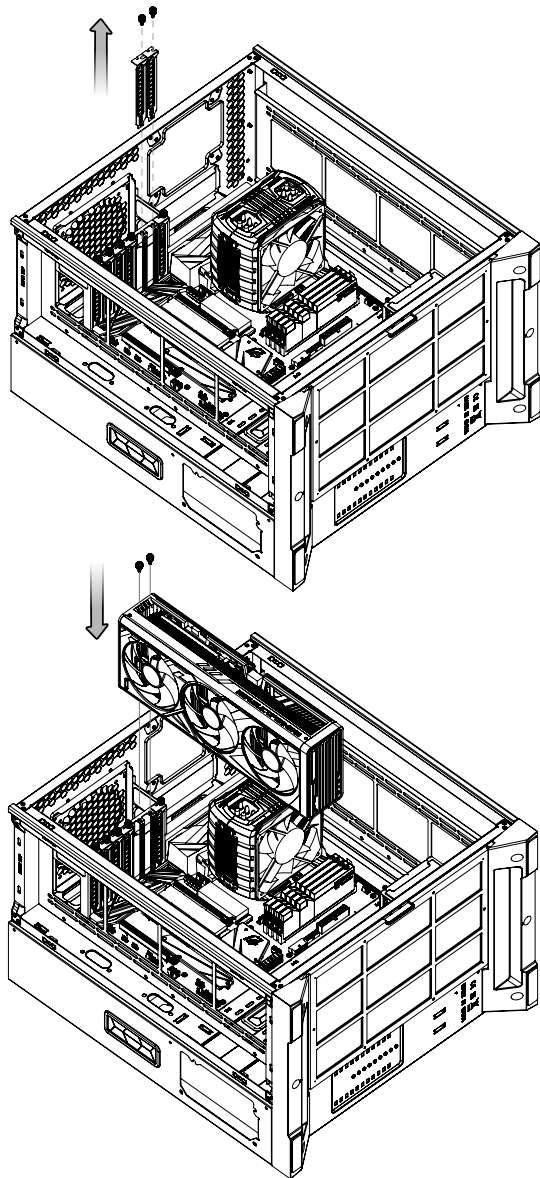
1



2

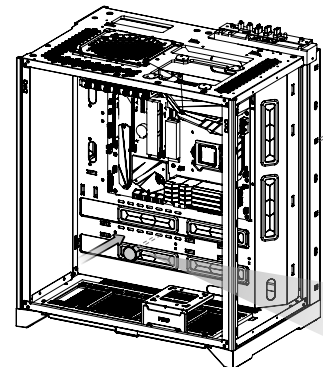


A

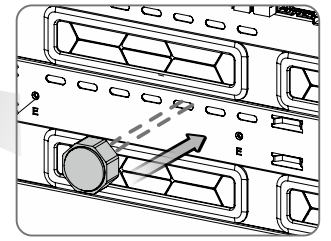


With VGA Stand

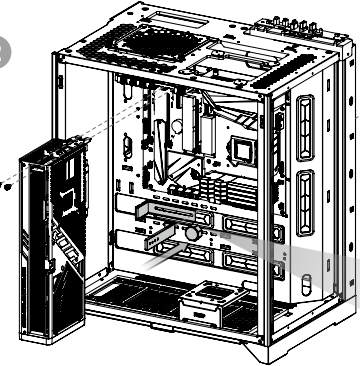
1



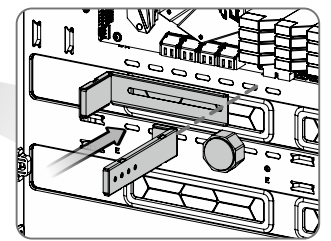
Screw in from the right

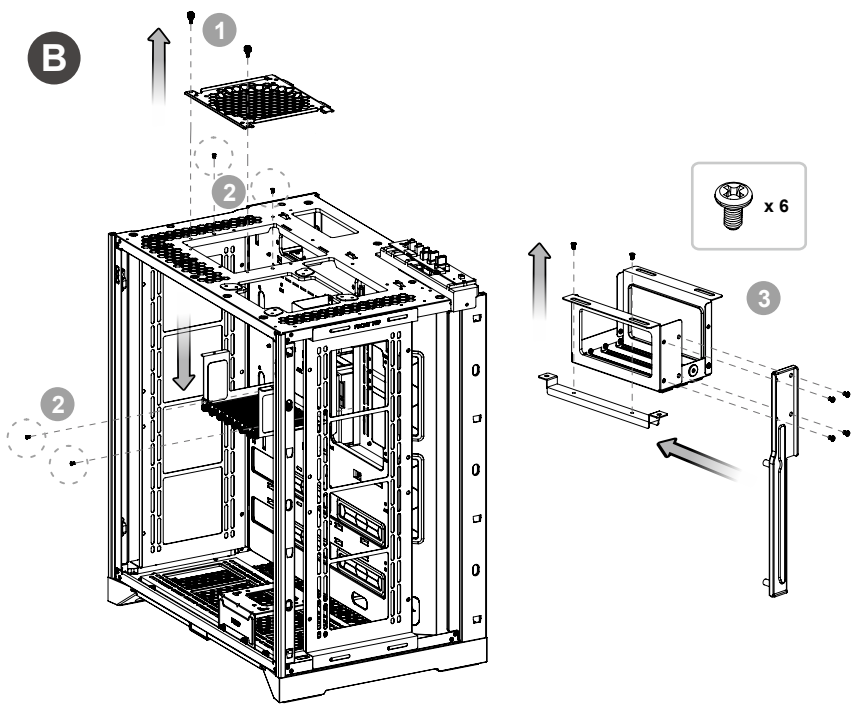


2



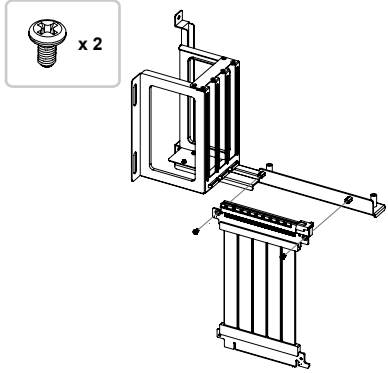
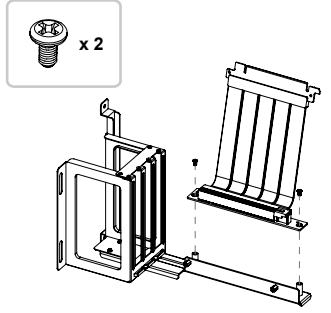
Screw in from the right



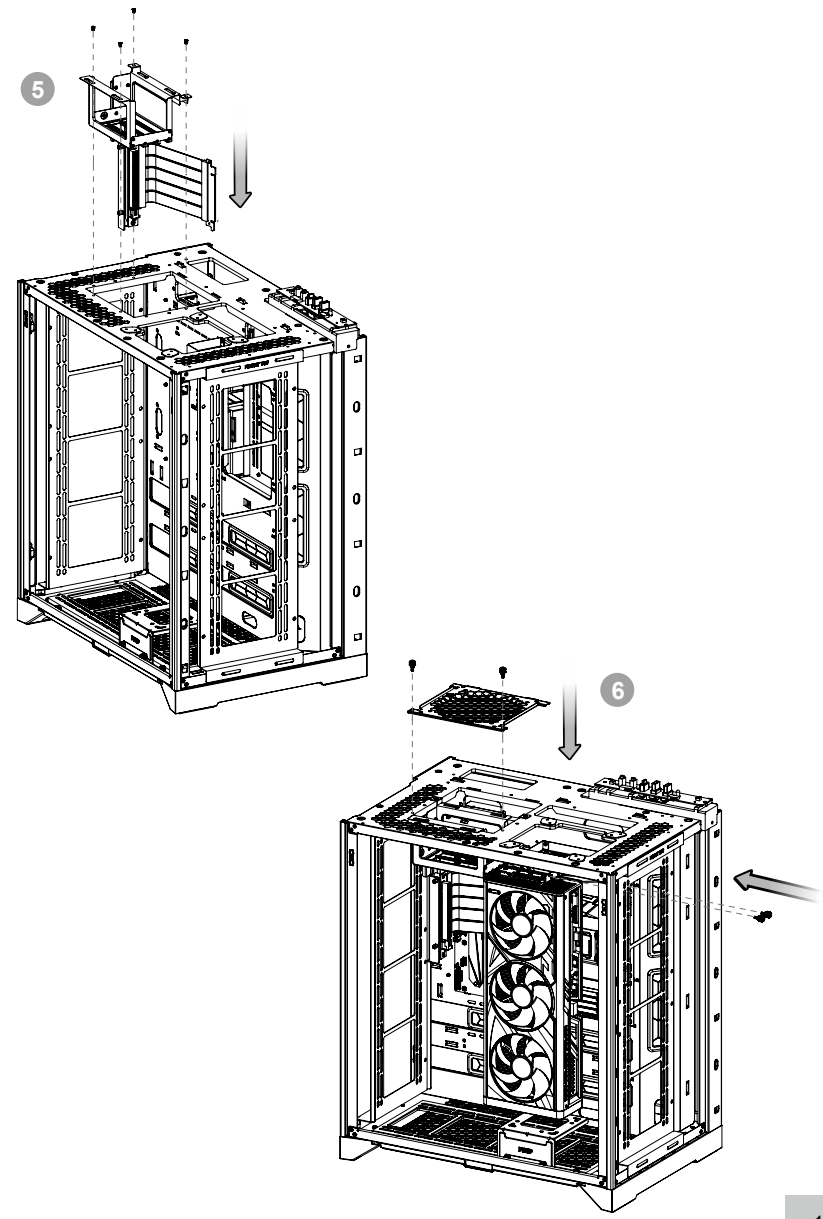


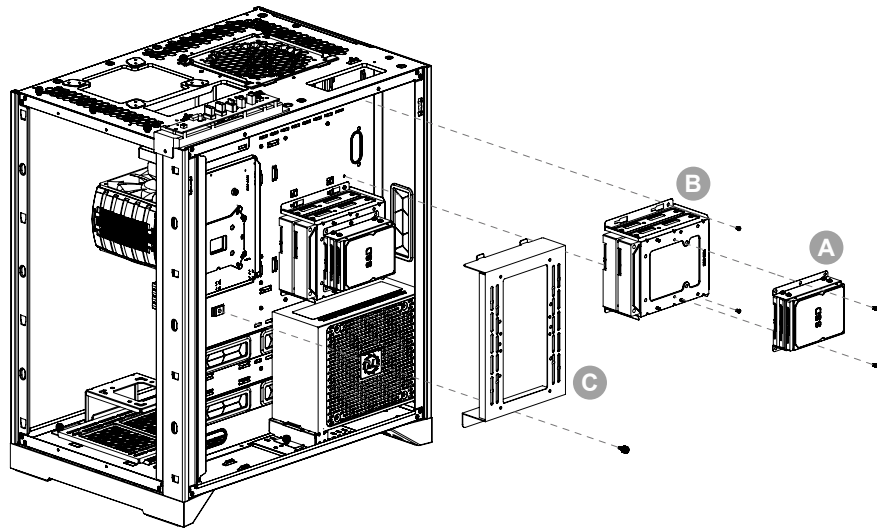
4 PCI-E Extender 90°

PCI-E Extender 180°

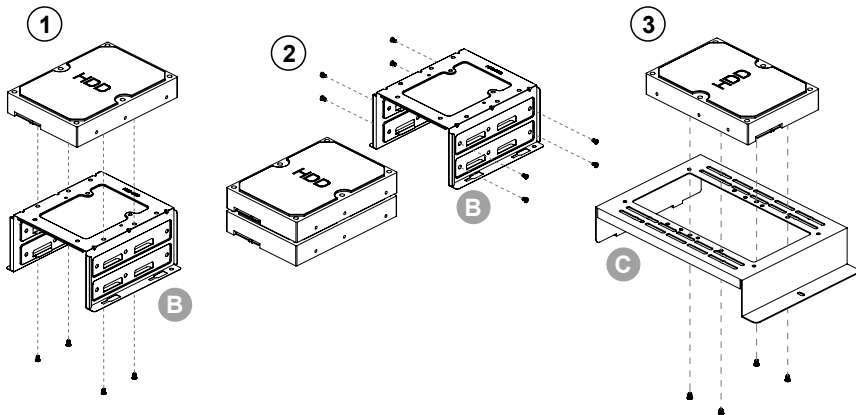


● PCI-E Extender is not included.

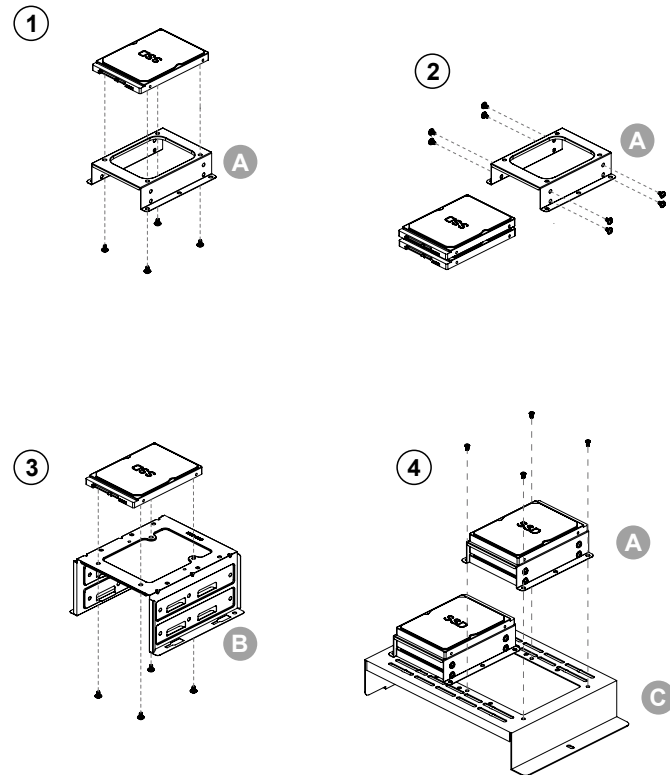


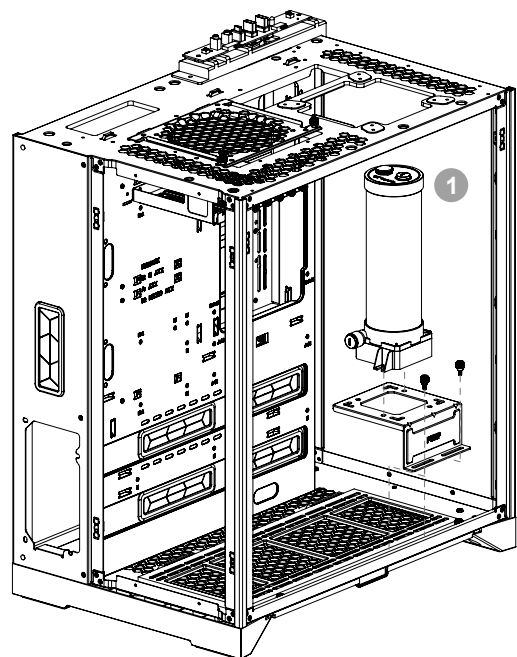


3.5" HDD



2.5" HDD

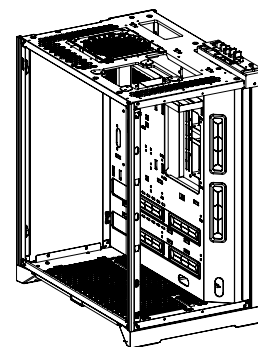
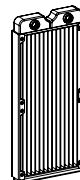
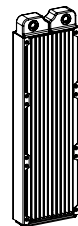
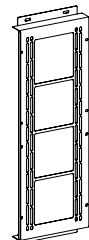




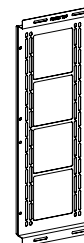
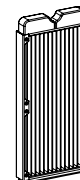
- 1 Pacific PR22-DC
- 2 Pacific PR32-D5 Plus
- 3 Pacific PR22-D5 Plus

Rear

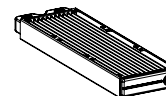
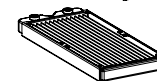
360mm x 1
or
280mm x 1

**Front**

360mm x 1
or
280mm x 1

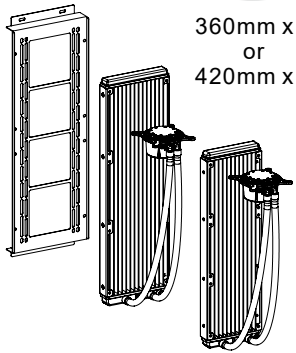
**Bottom**

360mm x 1
or
280mm x 1



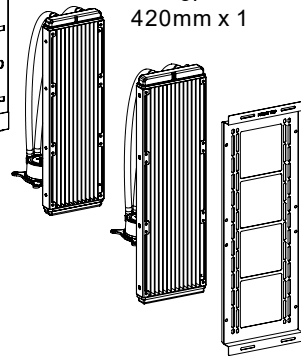
Rear

360mm x 1
or
420mm x 1



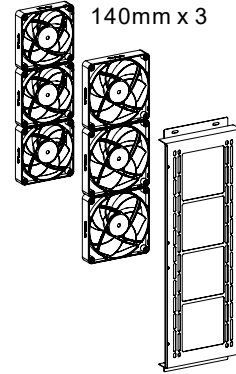
Front

360mm x 1
or
420mm x 1



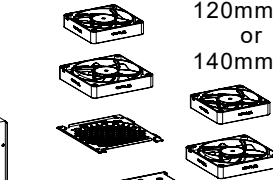
Rear

120mm x 3
or
140mm x 3



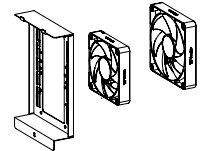
Top

120mm x 2
or
140mm x 2



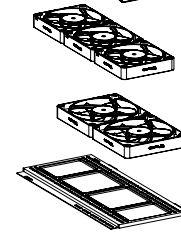
Right

120mm x 1
or
140mm x 1



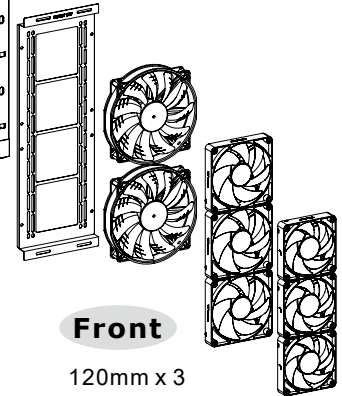
Bottom

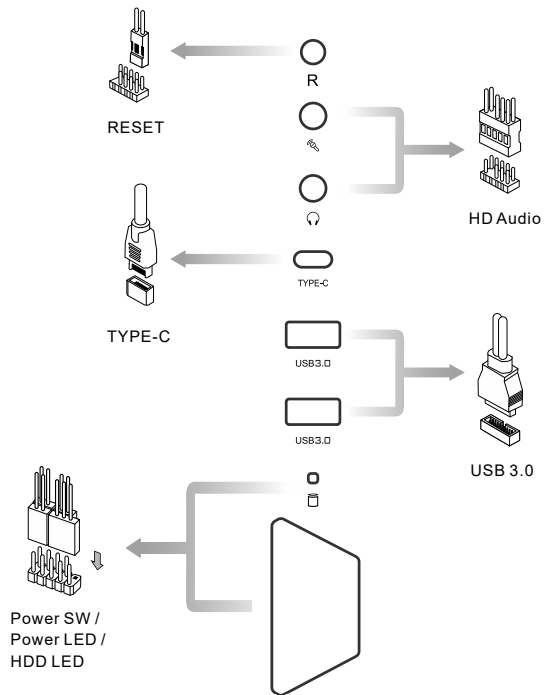
120mm x 3
or
140mm x 2



Front

120mm x 3
or
140mm x 3
or
200mm x 2





ARGB Control Instruction – How to connect MB

