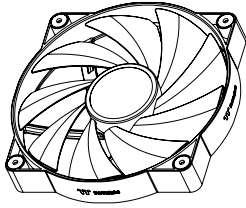




Parts List



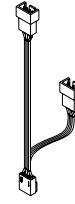
A x 1



B x 4



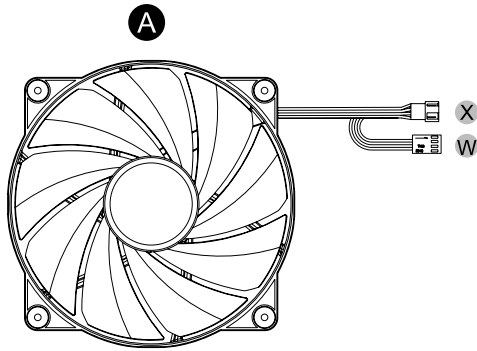
C x 4



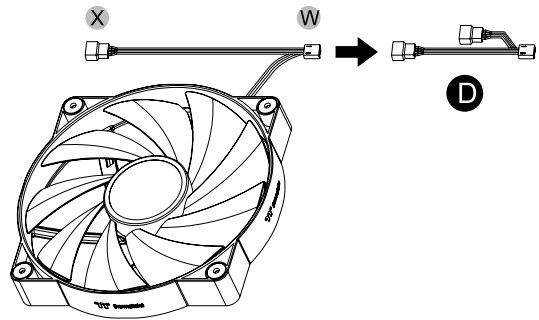
D x 1

Installation Guide

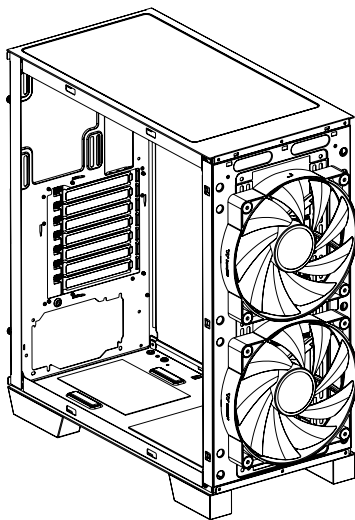
1



2



3



4

