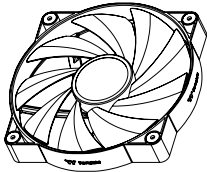




Parts List



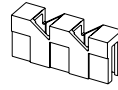
A x 1



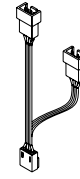
B x 4



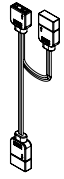
C x 4



D x 1

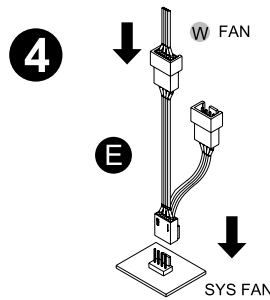
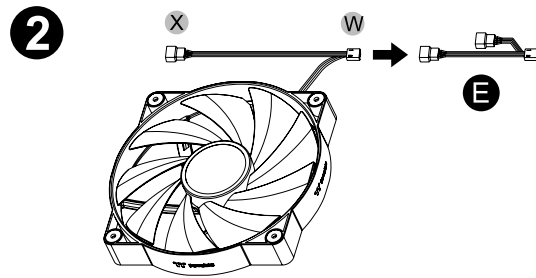
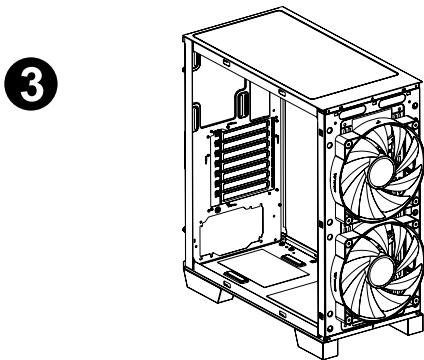
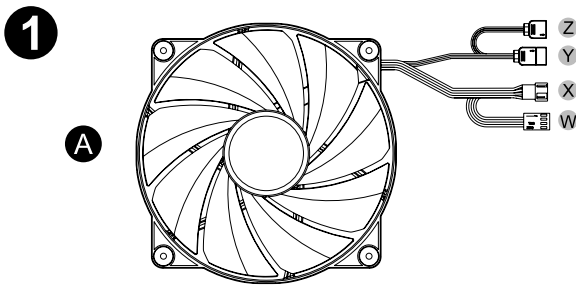


E x 1



F x 1

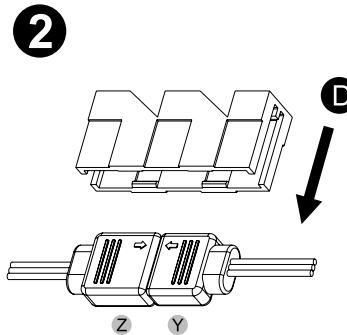
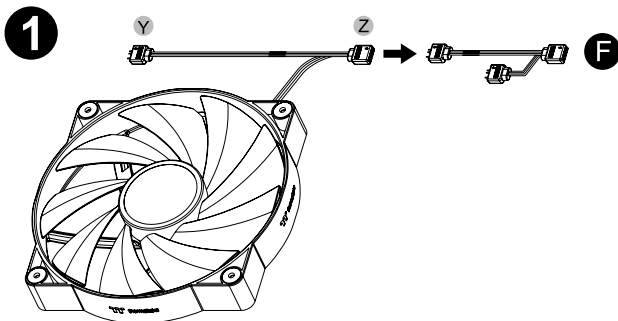
Installation Guide



MB SYNC Installation Guide

CAUTION

Please power off the PC and check the Positive and Negative ends on the connector before connecting the cable to motherboard. Connecting the wrong end can damage the fans.



The specifically designed clip could ensure the cable is connected properly

