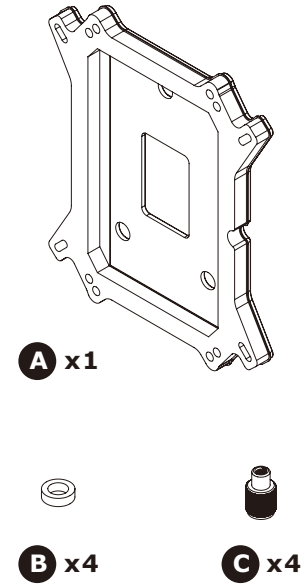


Intel-LGA1700 Upgrade Kit

CL-W208-PL00TR-A_Pacific W5
 CL-W276-CU00SW-A_Pacific W4 ARGB
 CL-W279-CU00SW-A_Pacific W7 Plus
 CL-W299-PL00SW-A_Pacific MX1 Plus

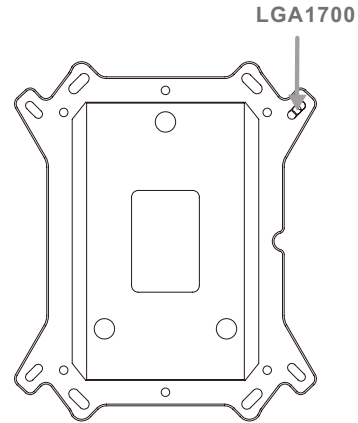
Parts List



Intel - LGA1700

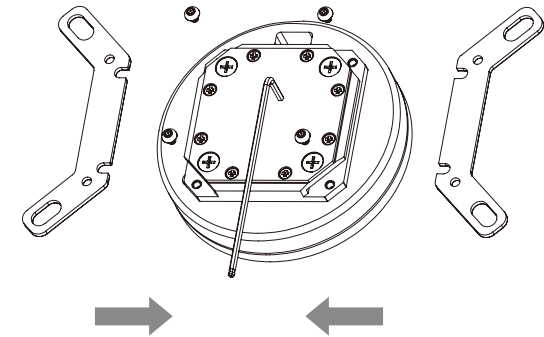
Before Installation, please verify the CPU platform and select the appropriate holes for your CPU socket.

1



Install Intel Clip

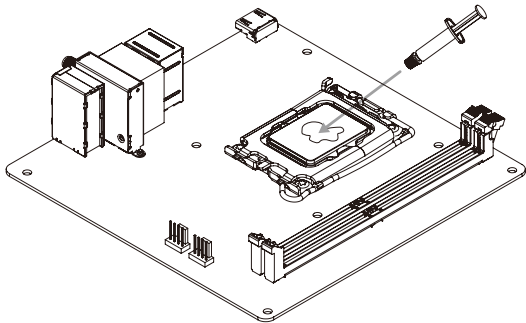
2



Thermal Grease

Apply a thin layer of Thermal Grease onto the CPU.

3



Install Water Block

Photos of water block are generic and for reference only.

4

