

# AX700 / AX700 TG

User's Manual  
Benutzerhandbuch  
Mode d'emploi  
Manual del usuario  
Manuale dell'utente  
Manual do Utilizador

安裝說明書  
用戶手冊  
ユーザーズマニュアル  
Руководство пользователя  
kullanıcı elkitabı  
(EEE Yönetmeliğine Uygundur)  
คู่มือการใช้งาน



© 2025 Thermaltake Technology Co., Ltd. All Rights Reserved. 2025.01  
All other registered trademarks belong to their respective companies. [www.thermaltake.com](http://www.thermaltake.com)



## TT Premium



### TT Premium

To continue achieving the corporate mission of delivering the perfect user experience, Thermaltake developed "TT Premium" with the essence of combining supreme quality products with a new logo design. TT Premium is far more than just a guarantee of quality. Behind the name, it represents the passion in DIY, Modding and Thermaltake's desire to be the most innovative brand in the PC hardware market. To satisfy the demand of the high-end PC users, TT Premium follows its core values of Excellent Quality, Unique Design, Diverse Combinations and Boundless Creativity to provide a high performance PC product for every enthusiast. <http://tppremium.com>

## Tt LCS-Liquid Cooling Support Certification



Tt LCS Certified is a Thermaltake exclusive certification applied to only products that pass the design and hardcore enthusiasts standards that a true LCS chassis should be held to. The Tt LCS certification was created so that we at Thermaltake can designate to all power users which chassis have been tested to be best compatible with extreme liquid cooling configurations to ensure you get the best performance from the best features and fitment.

## Join Tt Community To Receive Benefits



Dear Valued Customer,  
Thank you for choosing Thermaltake.  
As a new user we value your thoughts and opinions and your feedback is important to us. We at Thermaltake would like to use this opportunity to invite you to join our Community Forums. Register today to start enjoying the full benefits of our community.

### Benefits of being a member:

- Quick and responsive user support
- Receive help and advice with new builds
- Keep up to date with new product releases
- Share your thoughts and builds with the community
- Enter monthly contests and giveaways



Brand official website  
<http://www.thermaltake.com/>

Global Facebook  
<https://www.facebook.com/ThermaltakeInc>

Taiwan Facebook  
<http://www.facebook.com/ThermaltakeTW>

Global community forums  
<http://community.thermaltake.com>

# CONTENTS

## Chapter 1. Product Introduction : AX700 / AX700 TG

1.0	Specification .....	01
1.1	Accessory .....	02
1.2	Warning and Notice .....	03

## Chapter 2. Installation Guide : AX700 / AX700 TG

2.0	Remove Components .....	06
2.1	Power Supply Unit (PSU) Installation .....	09
2.2	Motherboard Installation .....	10
2.3	HDD Installation .....	11
2.4	PCI Card Installation .....	12
2.5	ODD Installation .....	13
2.6	3.9" LCD Screen Installation .....	14
2.7	Fan Support .....	15
2.8	AIO Radiator Support .....	16
2.9	DIY Radiator Support .....	17
2.10	I/O Connection .....	18
2.11	Remove Filters .....	19
2.12	Assemble Casters .....	20

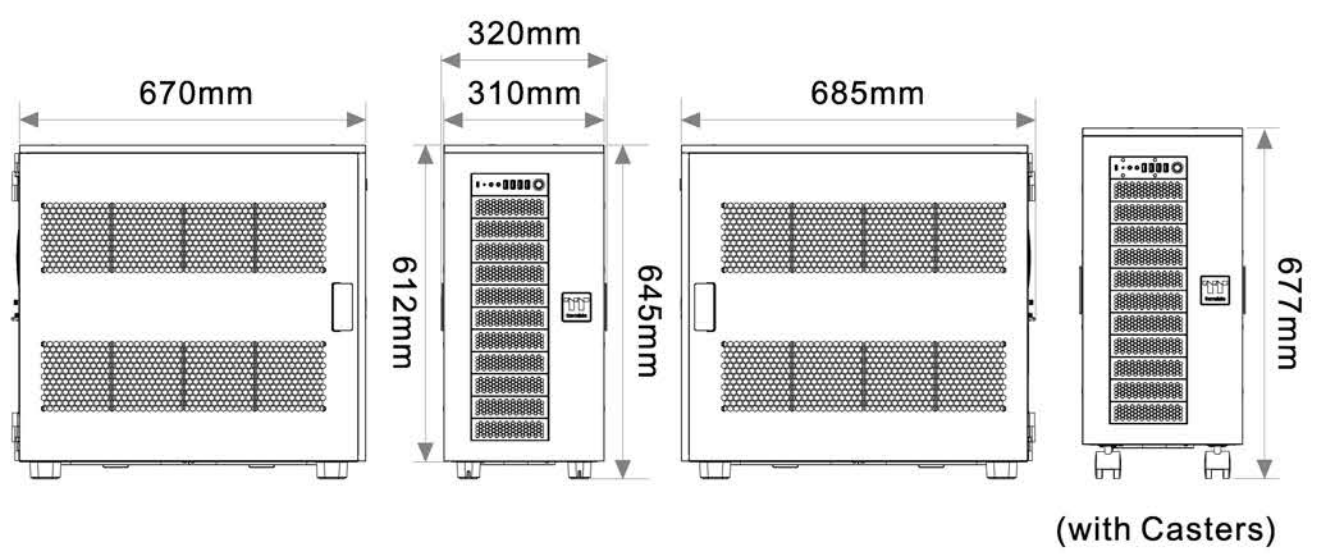


Model	AX700	AX700 TG	
Case Type	Super Tower		
Dimension (H*W*D)	645 x 320 x 685 mm (25.4 x 12.6 x 26.97 inch)	645 x 324.6 x 685 mm (25.4 x 12.78 x 26.97 inch)	
Side Panel	Steel	Steel + TG	
Material	SPCC		
Cooling System	-		
Drive Bays	2 x 5.25", 12 x 3.5" or 2.5" (HDD Cage), 6 x 3.5" or 2.5" (Behind the M/B tray)		
Expansion Slots	10		
Motherboards	6.7" x 6.7" (Mini ITX), 9.6" x 9.6" (Micro ATX), 12" x 9.6" (ATX), 12" x 13" (E-ATX), 13.6" x 10.4" (XL-ATX), SSI-CEB, SSI-EEB		
I/O Port	USB 3.2 (Gen 2) Type C x 1, USB 3.0 x 4, HD Audio x 1		
PSU	Standard PS2 PSU (optional)		
Fan Support	Front	3 x 120 mm	3 x 140 mm
	Top	4 x 120 mm	4 x 140 mm
	Rear	1 x 120 mm	1 x 140 mm
	Bottom	2 x 120 mm	2 x 140 mm
	Right Side	8 x 120 mm	8 x 140 mm
AIO-Radiator Support	Front	1 x 360 mm (Max)	1 x 420 mm (Max)
	Top	1 x 360 mm (Max)	1 x 420 mm (Max)
	Rear	1 x 120 mm	1 x 140 mm
DIY-Radiator Support	Front	1 x 360 mm (Max)	1 x 420 mm (Max)
	Top	1 x 480 mm (Max)	1 x 560 mm (Max)
	Rear	1 x 120 mm	1 x 140 mm
Clearances	CPU cooler height limitation	190 mm	
	VGA length limitation	360 mm (with HDD rack) 630 mm (without HDD rack)	
	PSU length limitation	220 mm (with two bottom fans)	

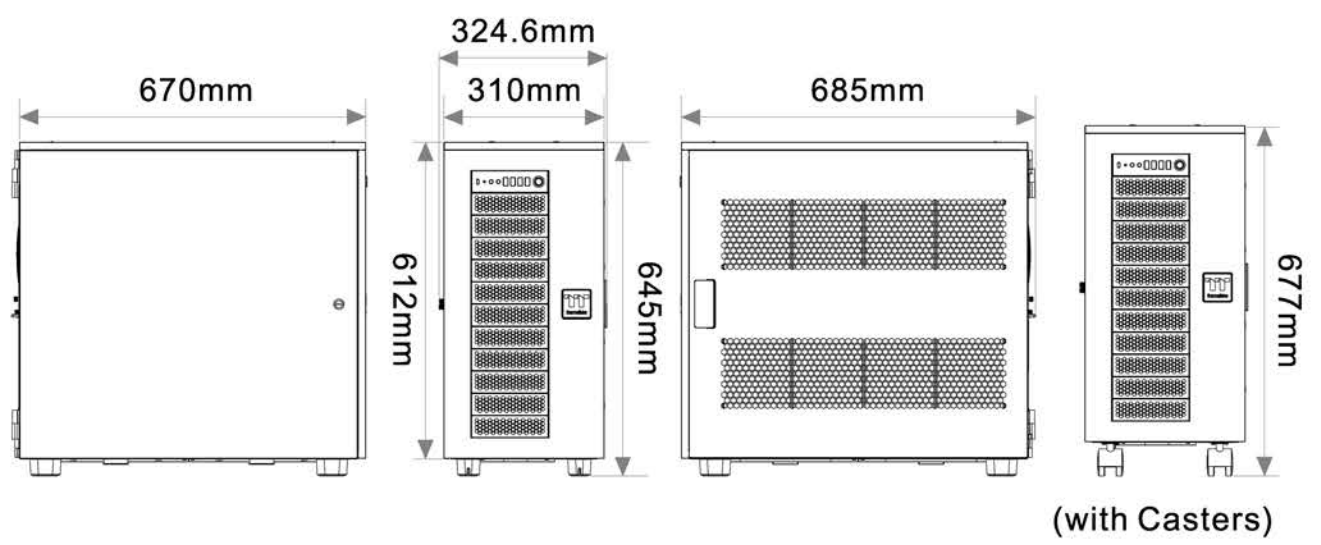
Figure	Part Name	Q'ty	Use For
	Screw #6-32 x 6 mm	4	Power Supply
	Screw #6-32 x 6 mm	20	Motherboard
	Screw M3 x 5 mm	60	2.5" HDD / SSD
	Screw Ø5 x 10 mm	8	Case Fan
	Screw #6-32 x 6 mm	40	3.5" HDD
	Stand-off #6-32 x 6.5 mm	6	Backup
	Screw #6-32 x 10 mm	18	Casters
	Nut #6-32	18	Casters
	Nut Setter	1	Motherboard Stand-off
	Buzzer	1	Motherboard Alarm
	Cable Ties	20	Cable Management
	Velcro-1 meter	1	Cable Management
	PSU Rubber stand	4	Power Supply
	VGA Bracket Rubber stand	4	VGA Bracket
	Plate Clip	4	Backup
	Fan Fixed Plate	2	Case Fan
	ODD Bracket	4	ODD
	3.9" LCD Front Panel	1	3.9" LCD Screen
	Casters	4	Bottom plate

Chassis dimension

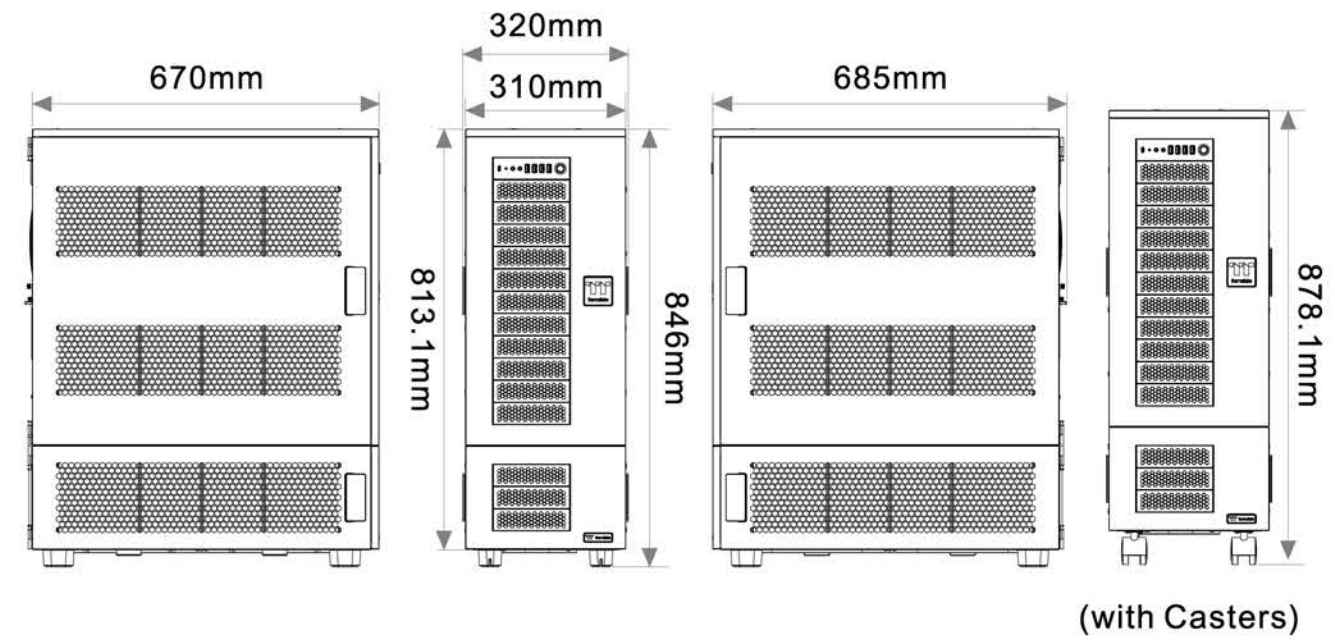
AX700



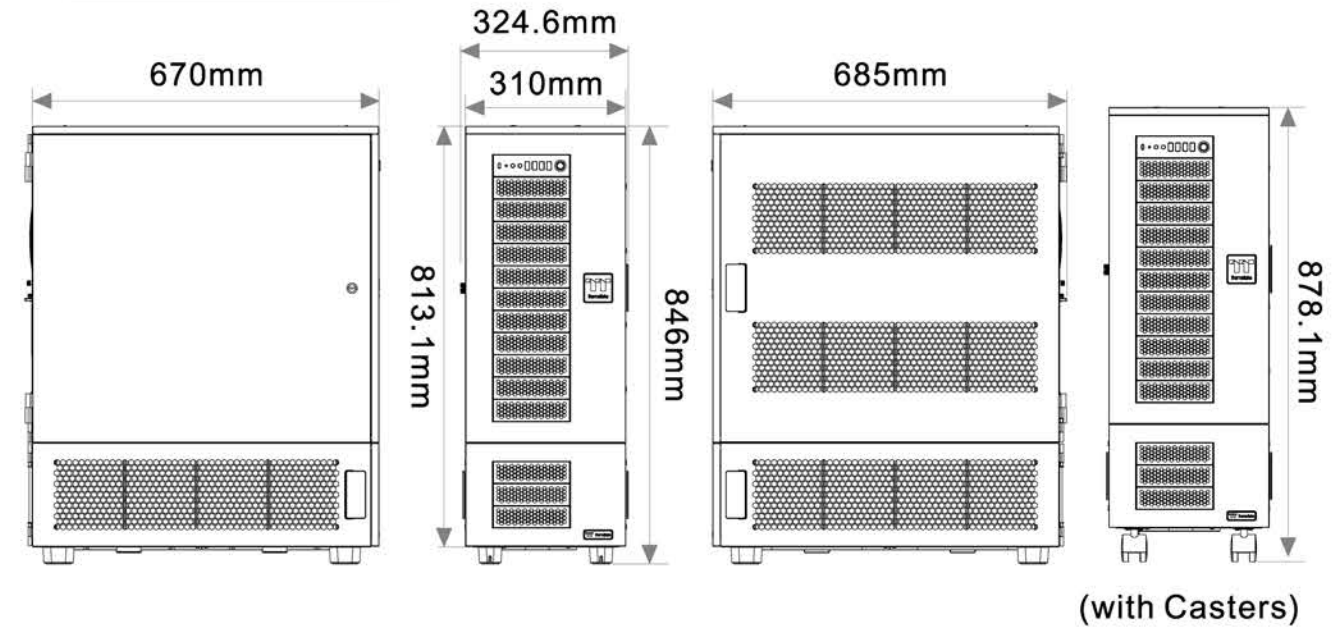
AX700 TG



AX700+AX100

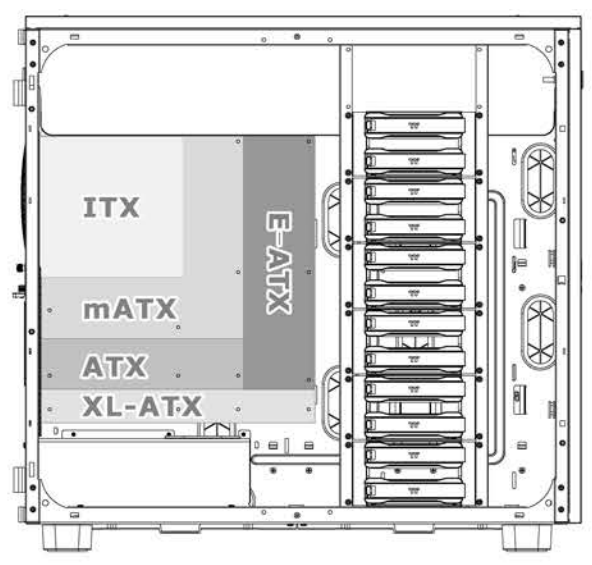


AX700 TG+AX100

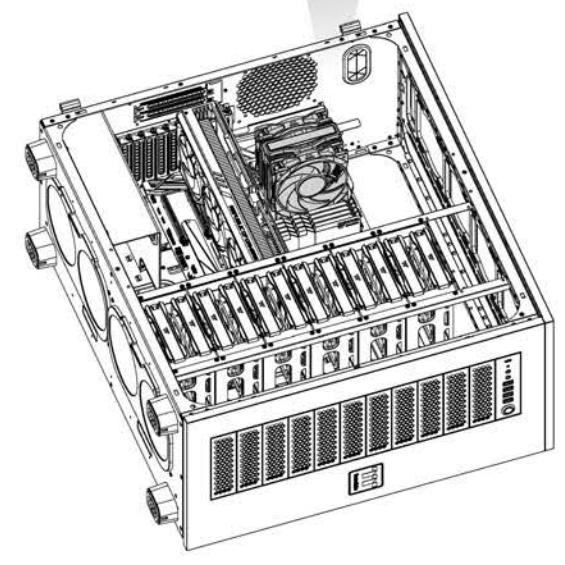
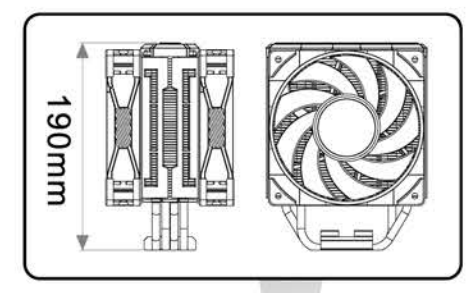




Motherboard compatibility:  
ITX / mATX / ATX /  
E-ATX / XL-ATX

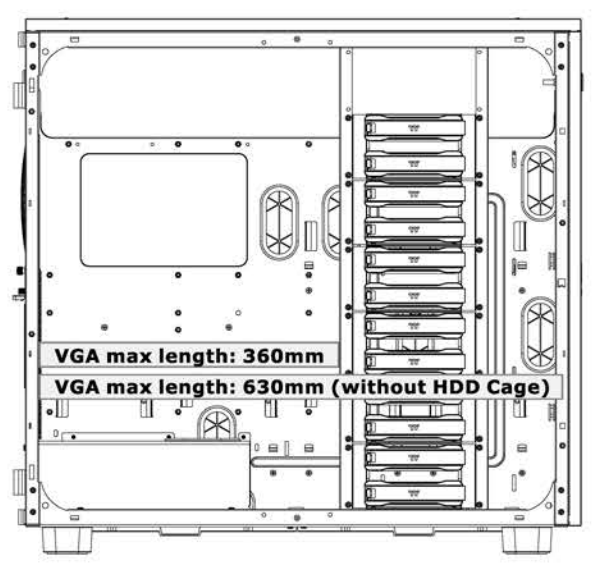


CPU cooler max height:  
190mm

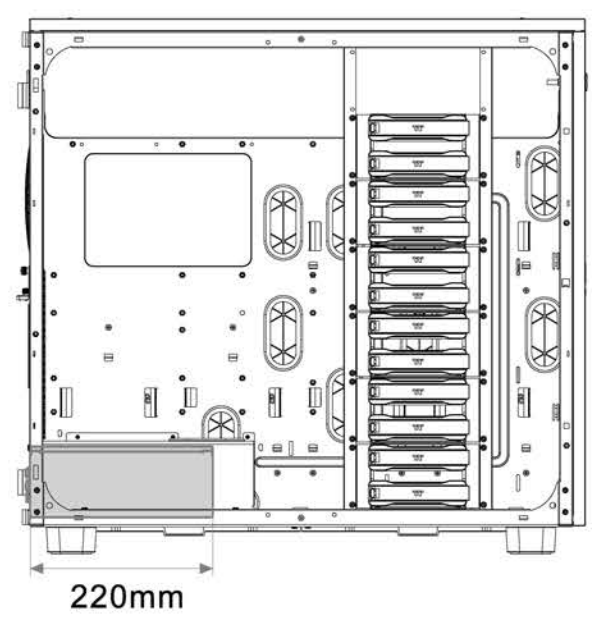


VGA max length:  
360mm (with HDD Cage)

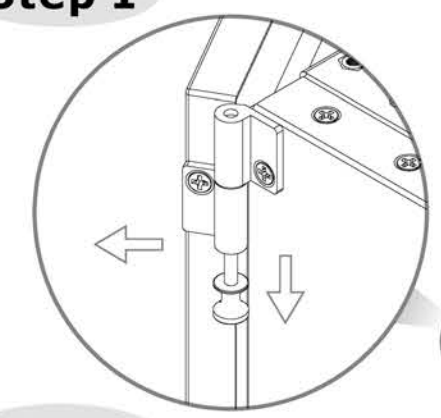
VGA max length:  
630mm (without HDD Cage)



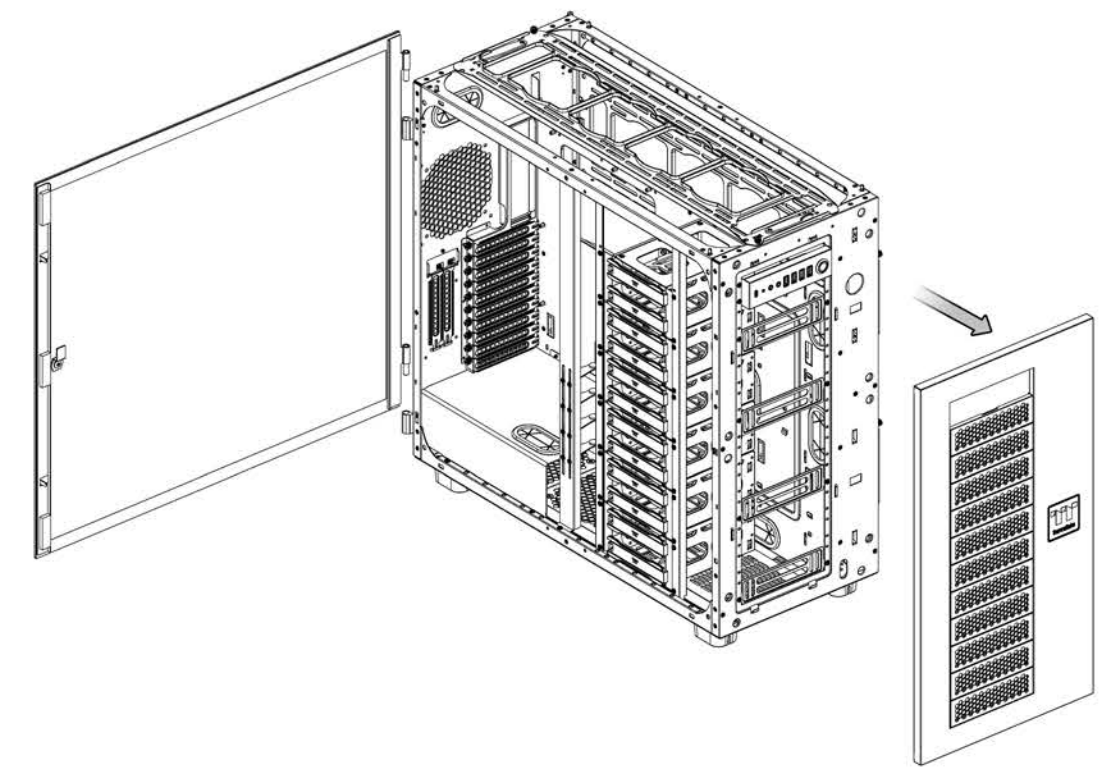
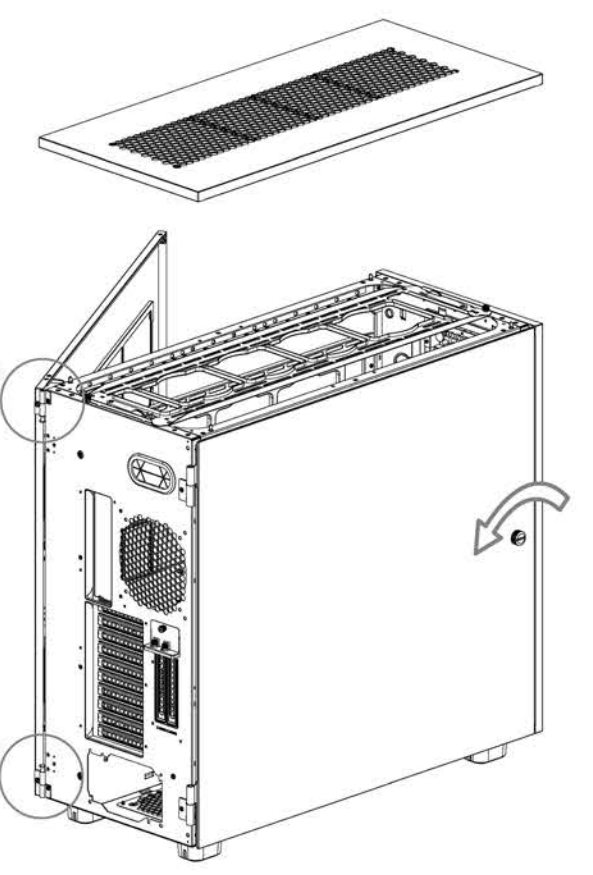
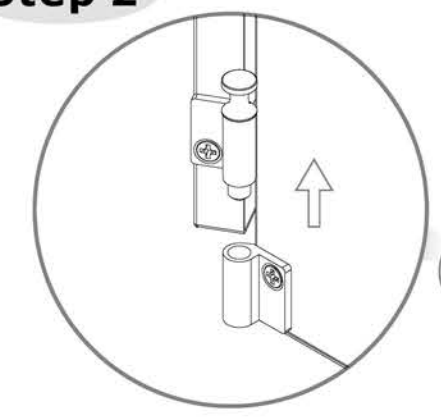
PSU max length: 220mm



Step 1



Step 2



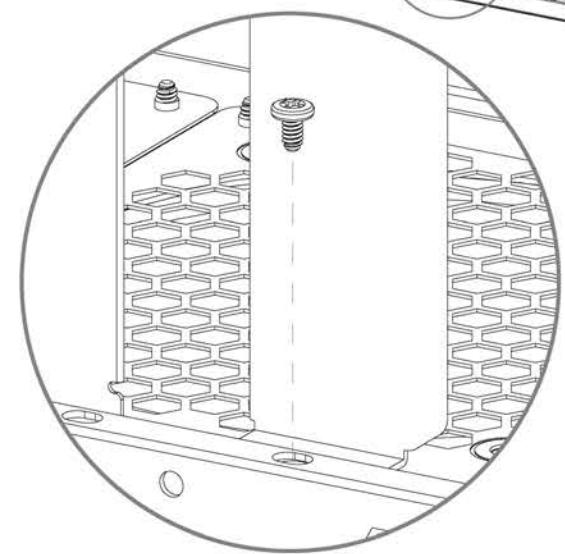
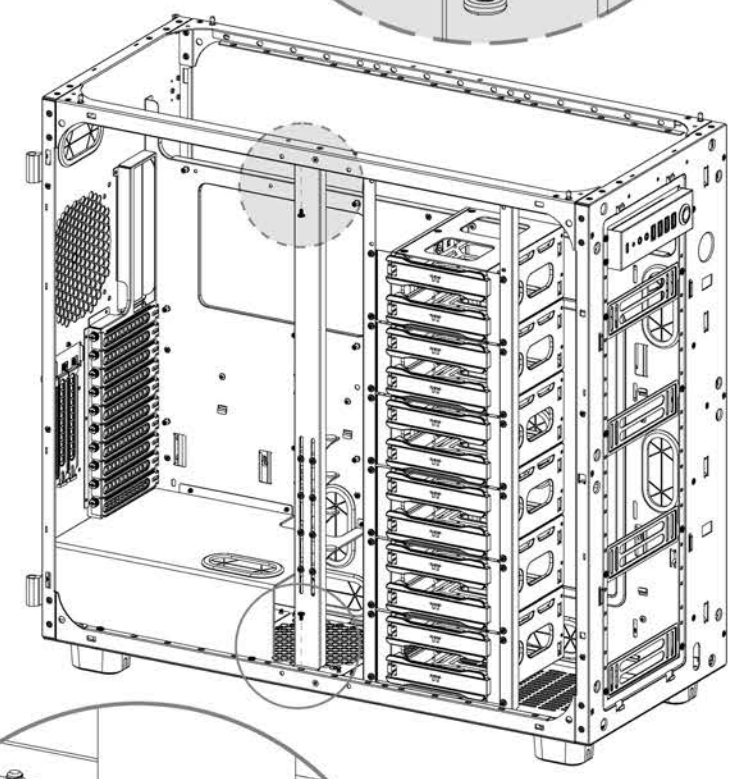
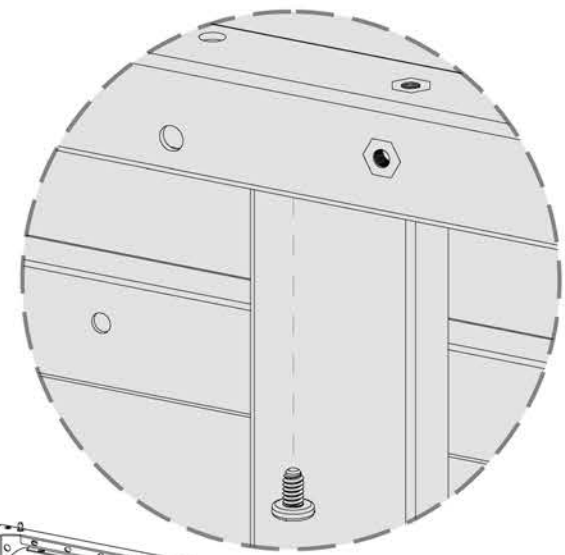
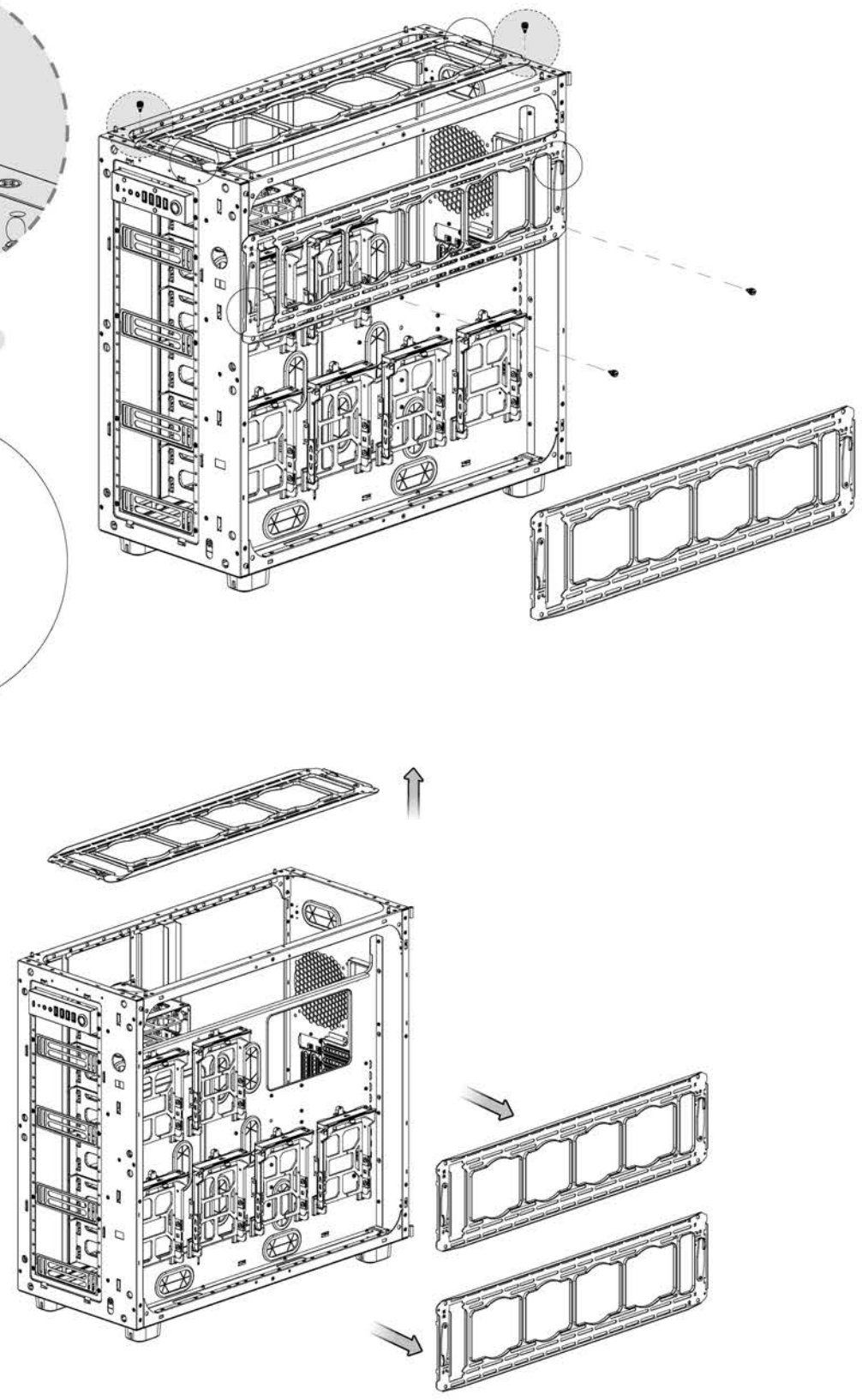
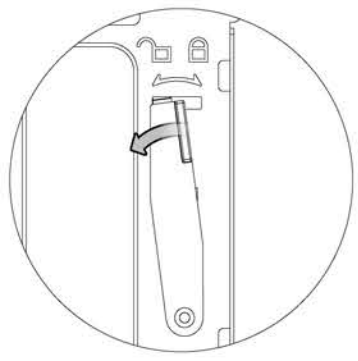


Step 1

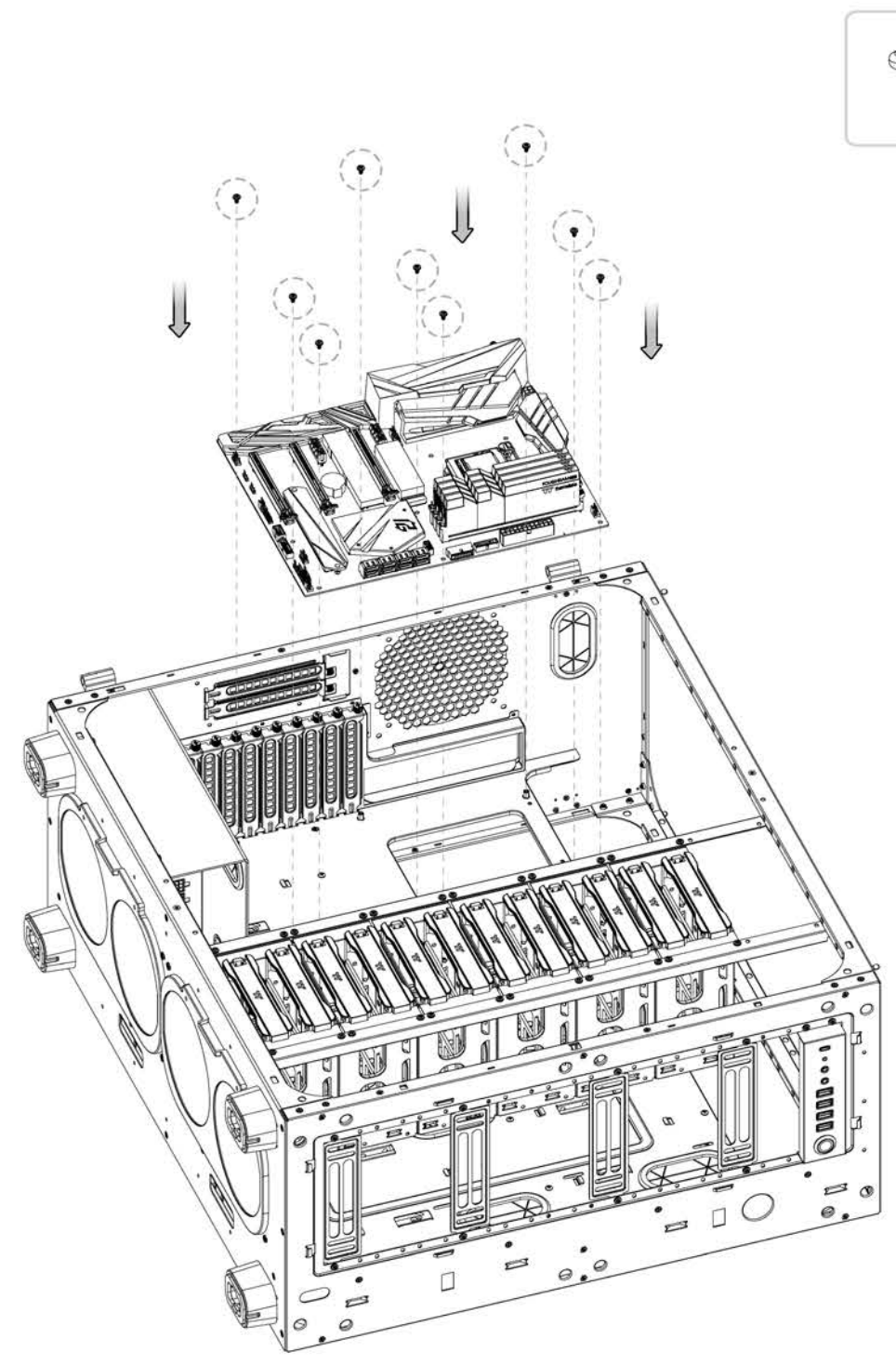
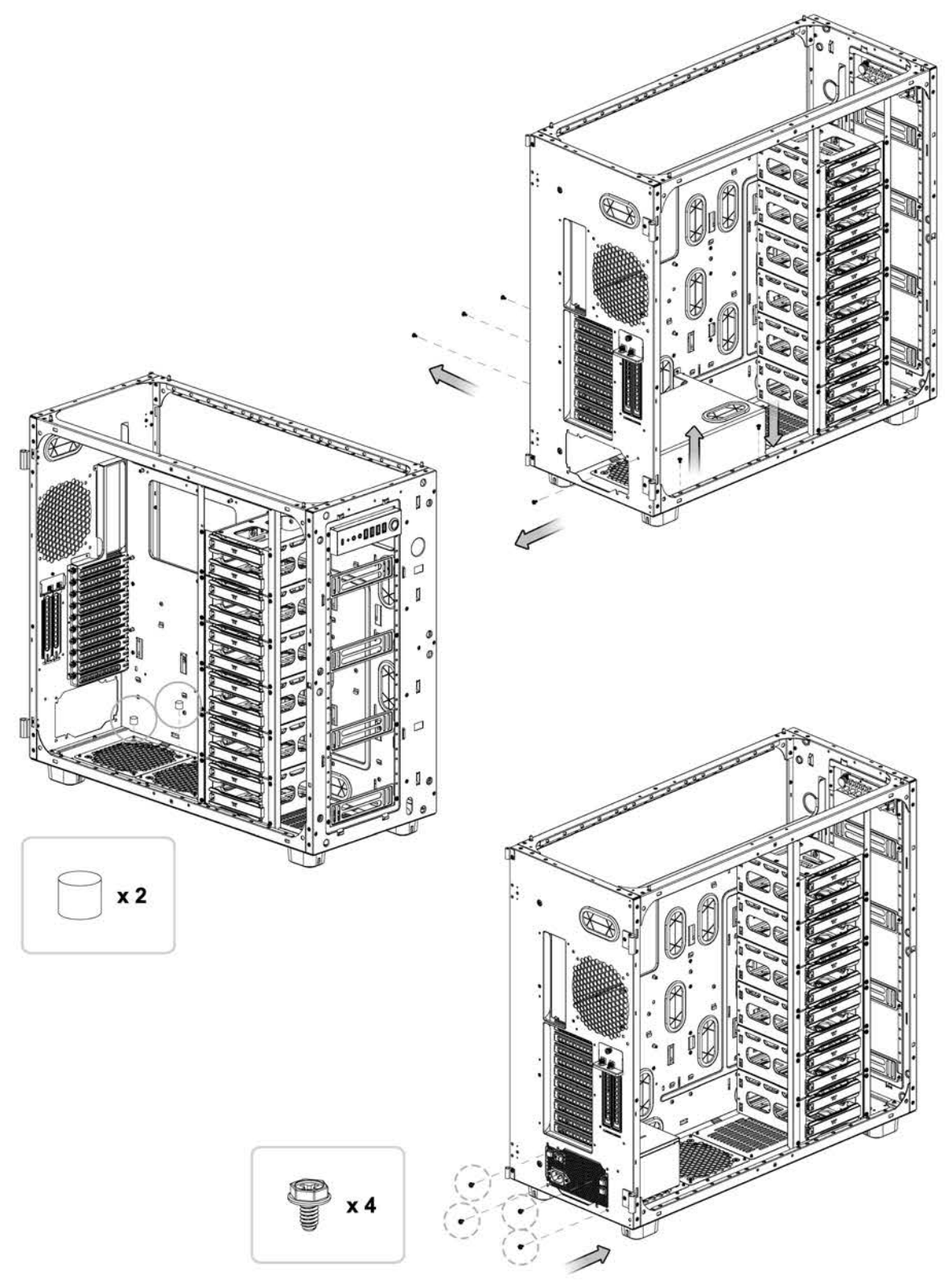


Step 2

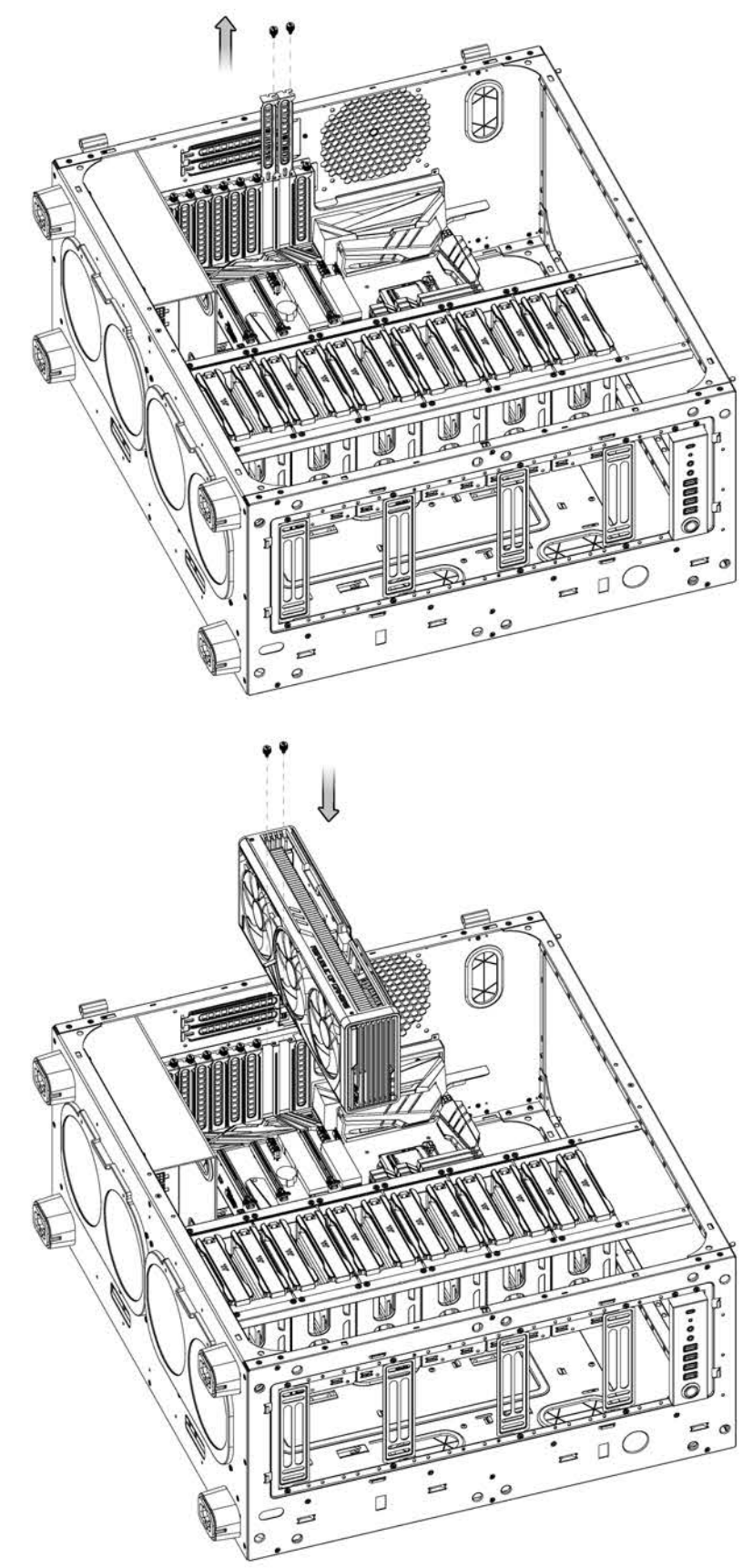
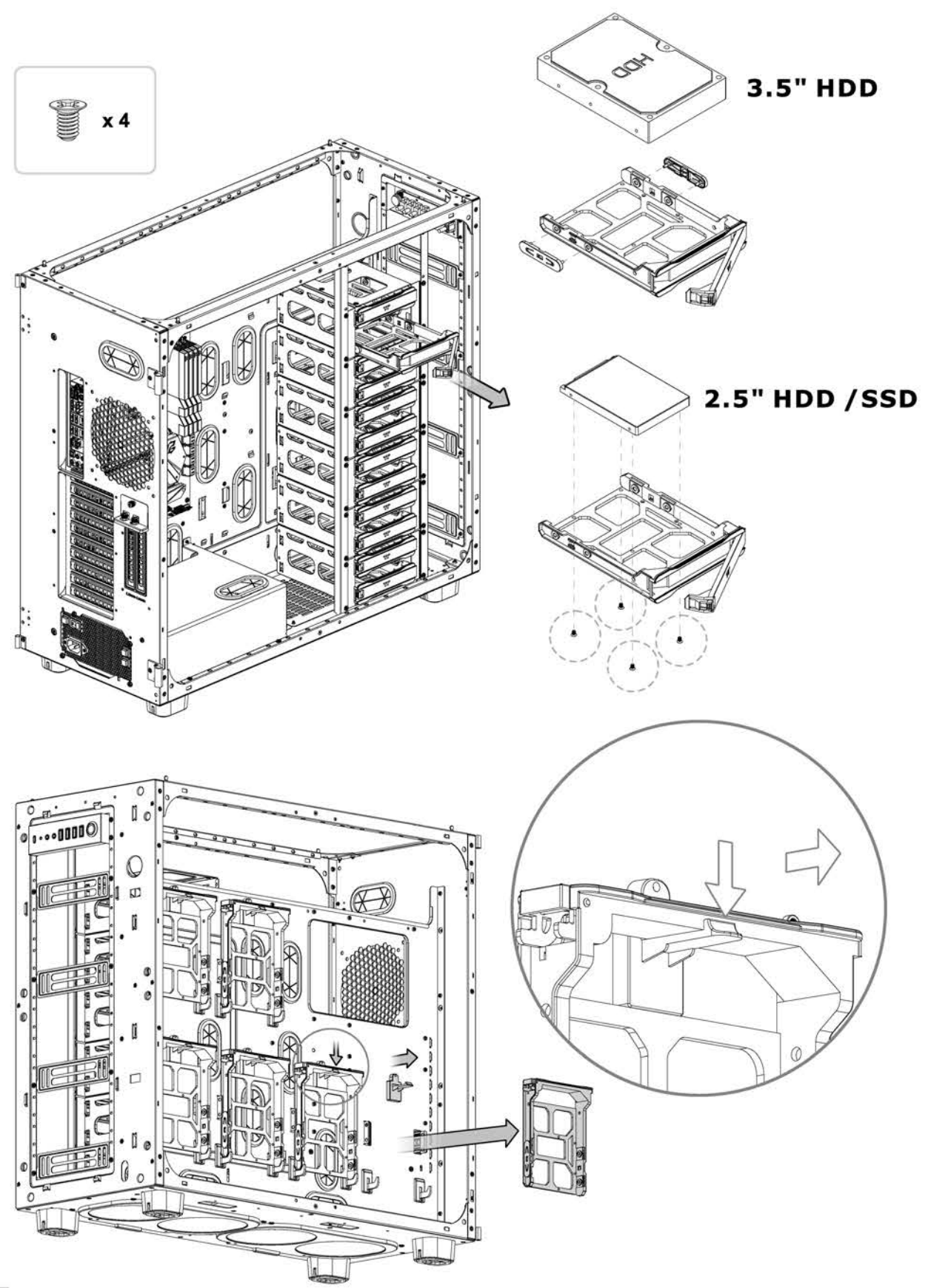
UNLOCK



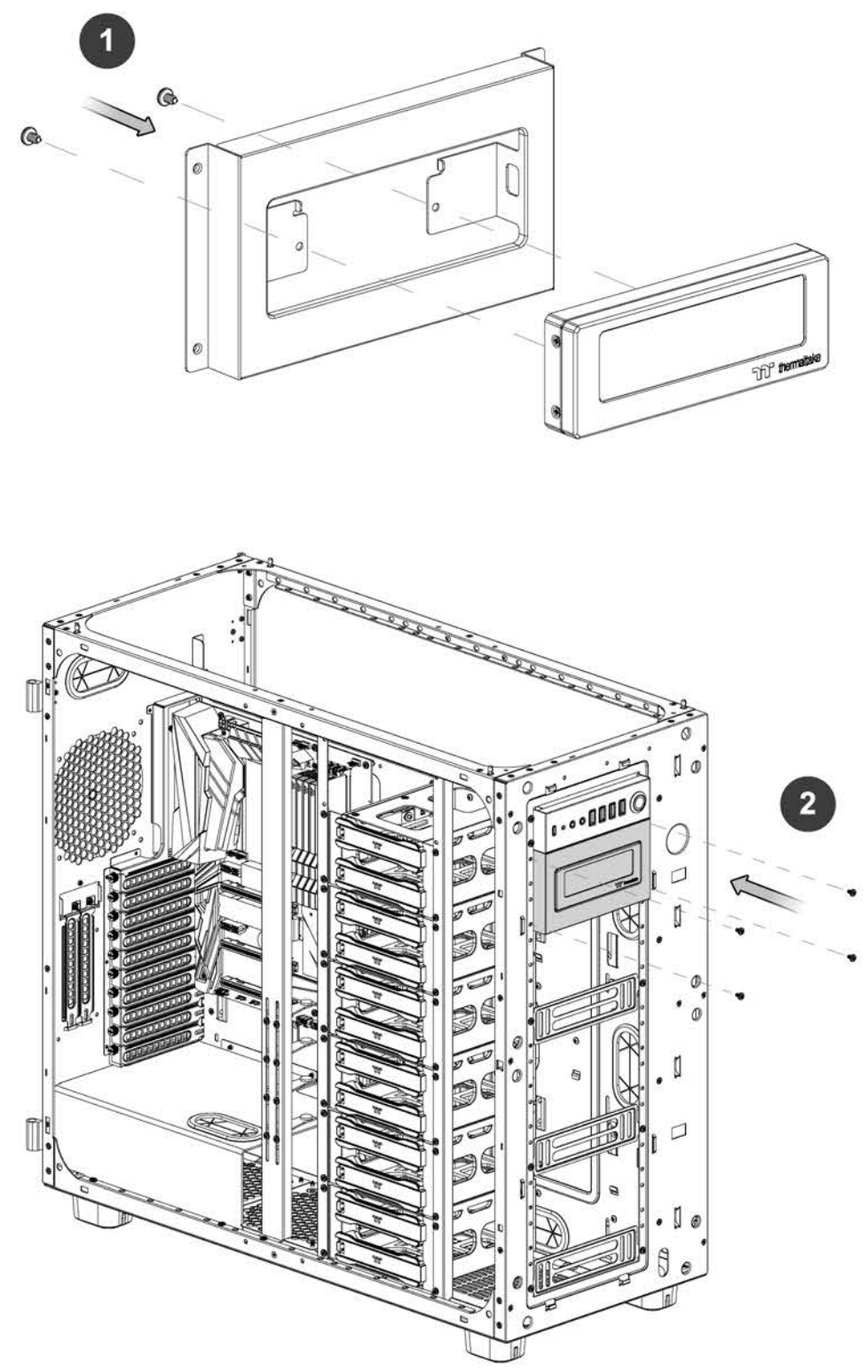
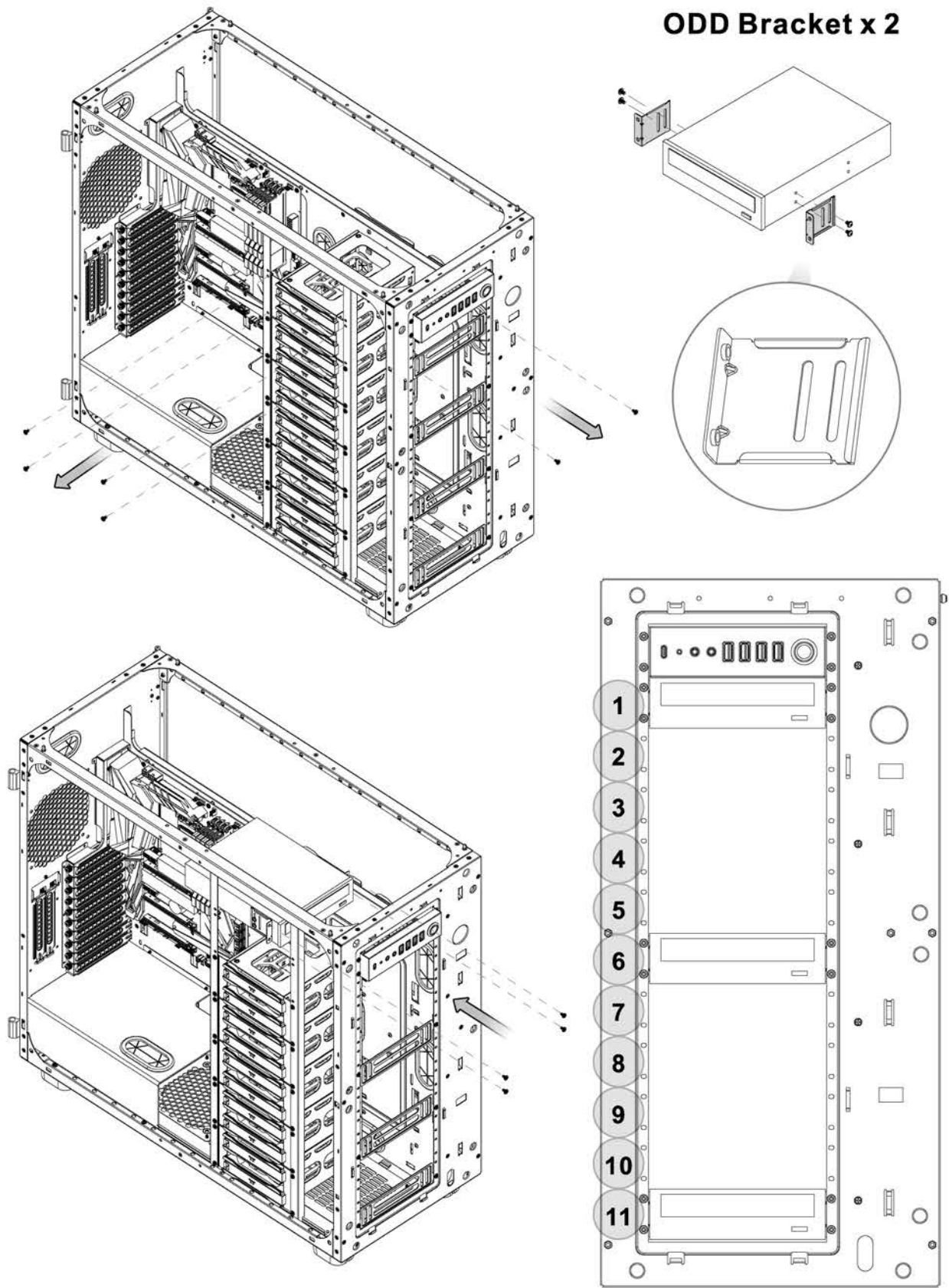




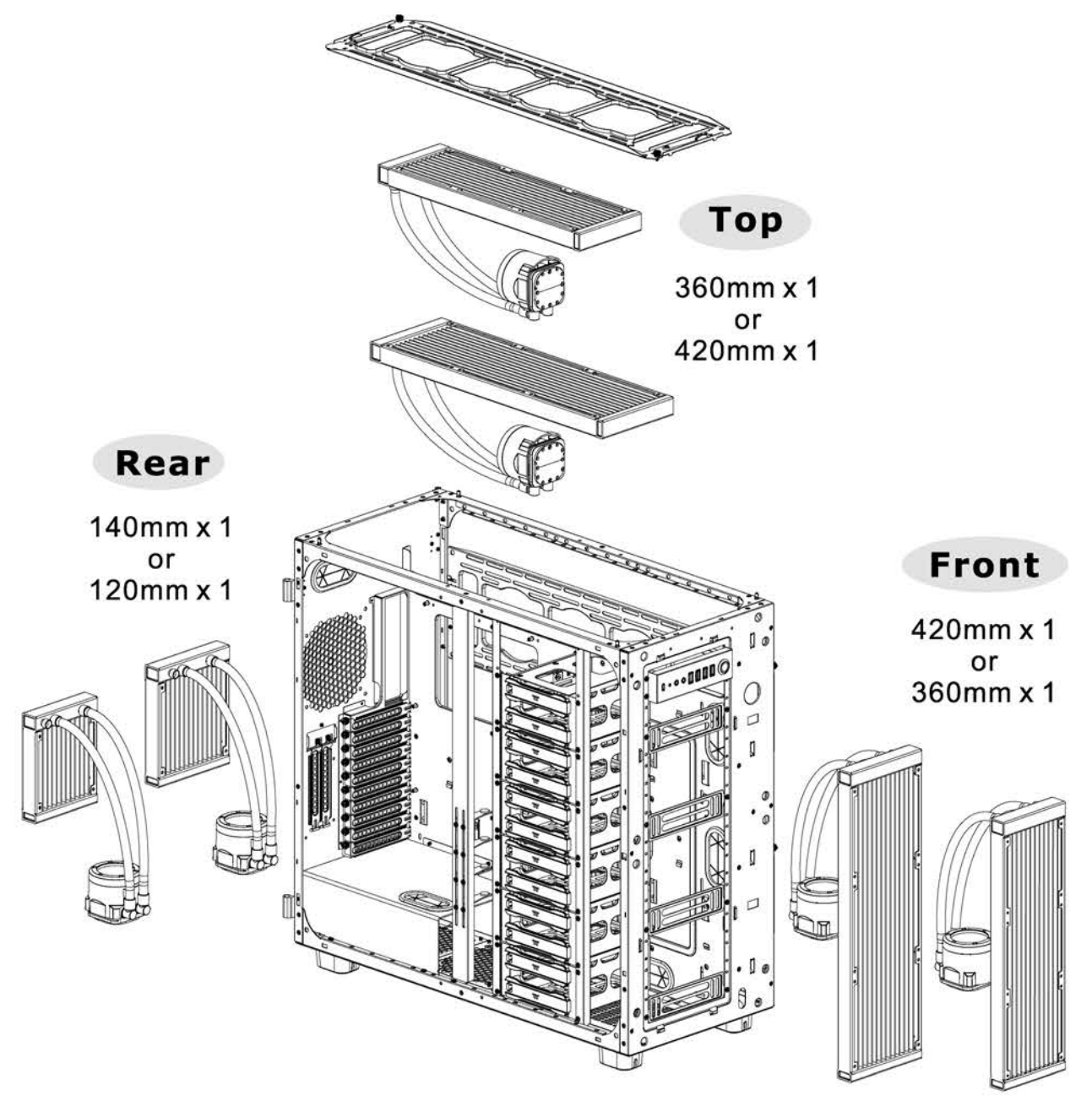
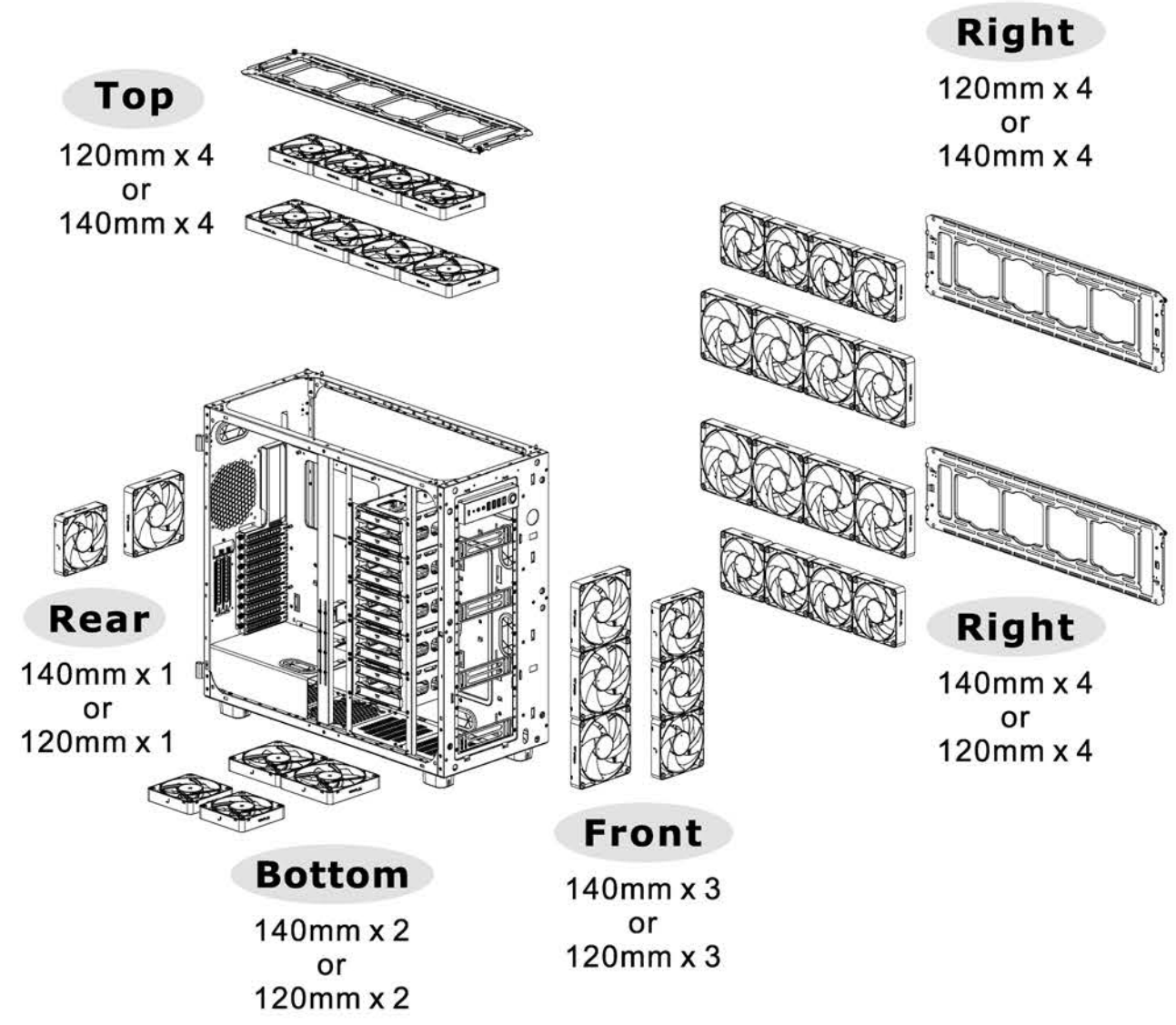




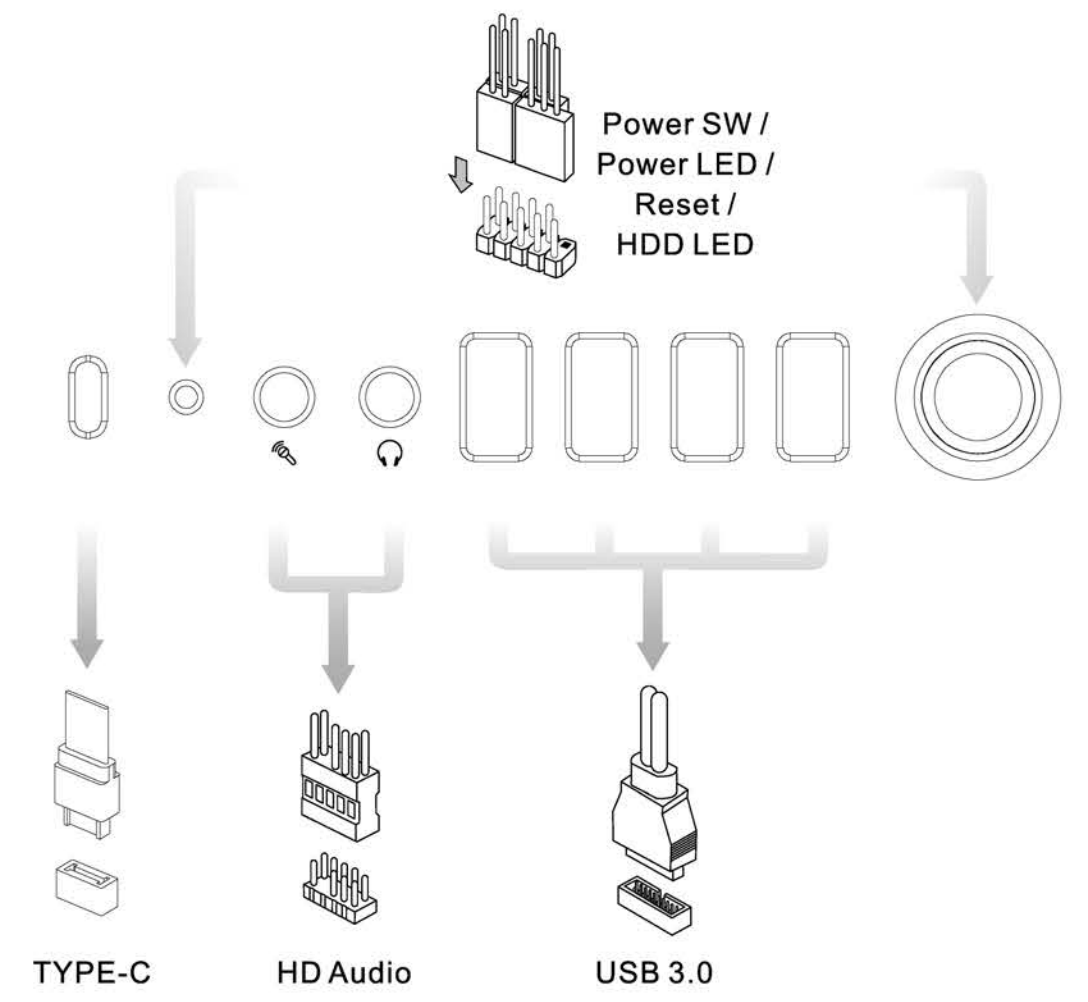
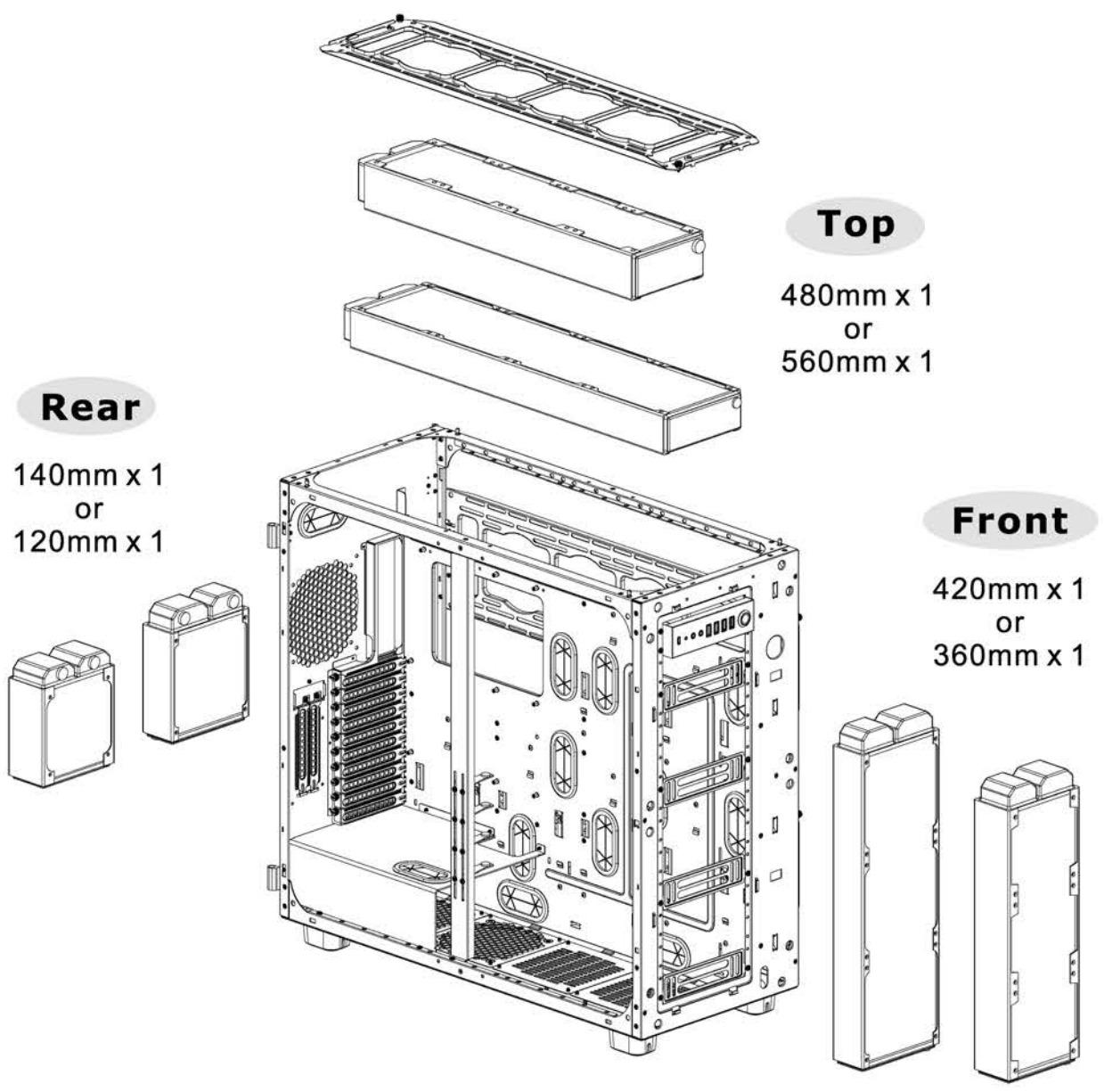




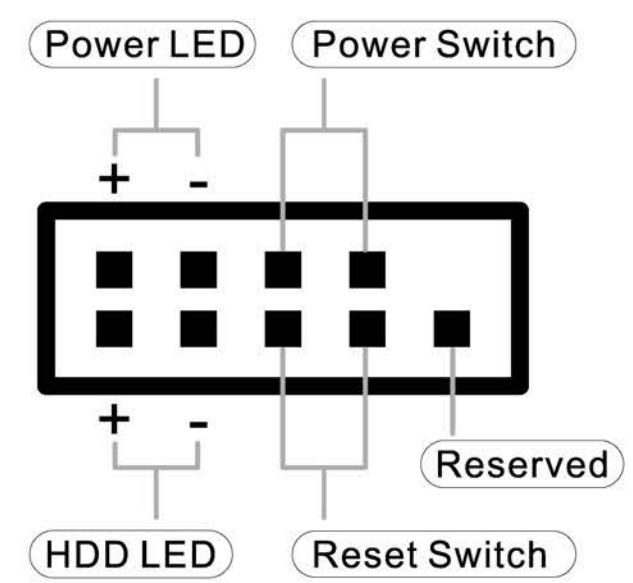






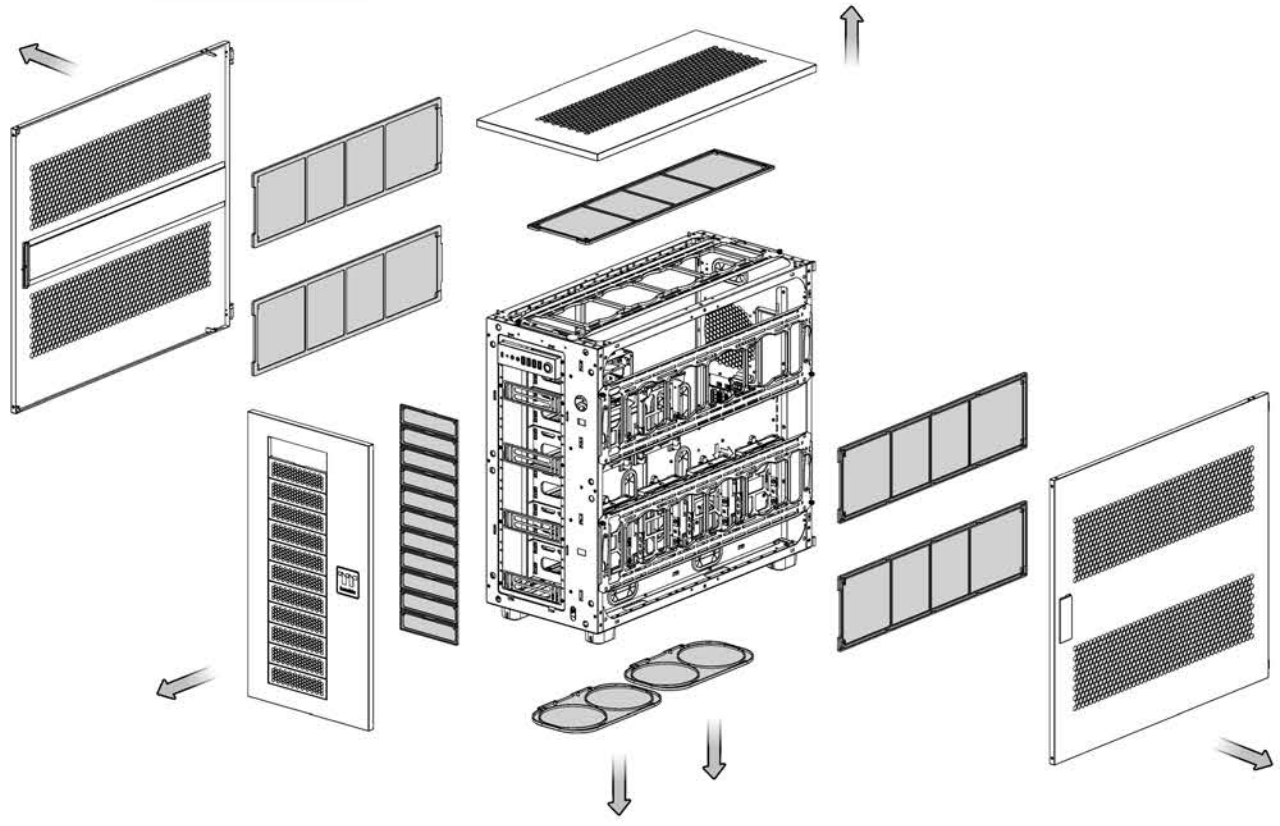


**Motherboard Header Diagram**





AX700



AX700 TG

