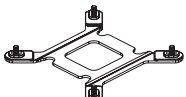
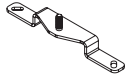




## Parts List



A x 1



B x 2



C x 4



D x 4



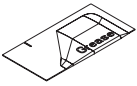
E x 4



F x 2



G x 4



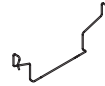
H x 1



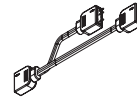
I x 1



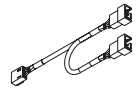
J x 2



K x 4



L x 1

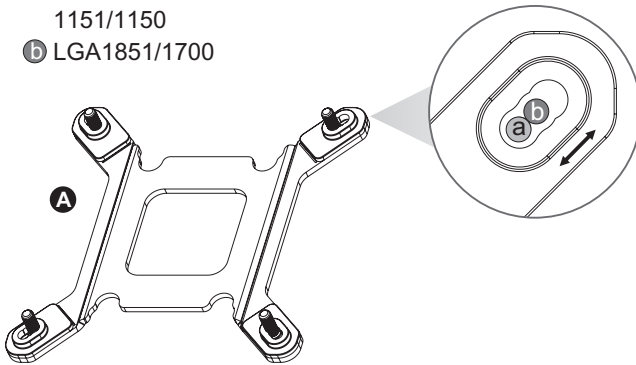


M x 1

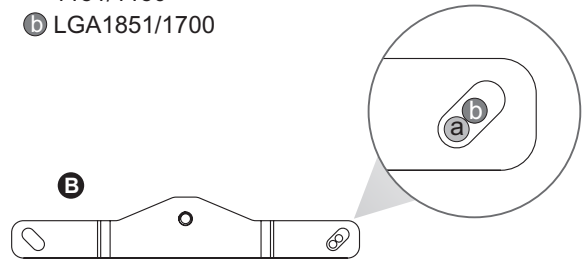
## Intel Installation Guide

1

- a LGA1200/1156/1155/  
1151/1150
- b LGA1851/1700



- a LGA1200/1156/1155/  
1151/1150
- b LGA1851/1700



2

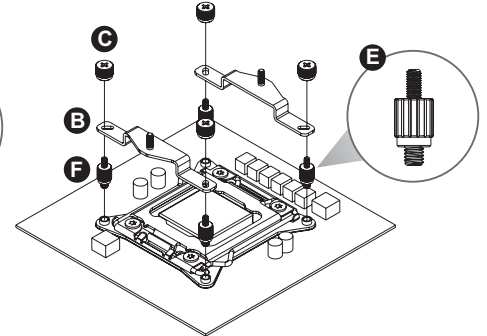
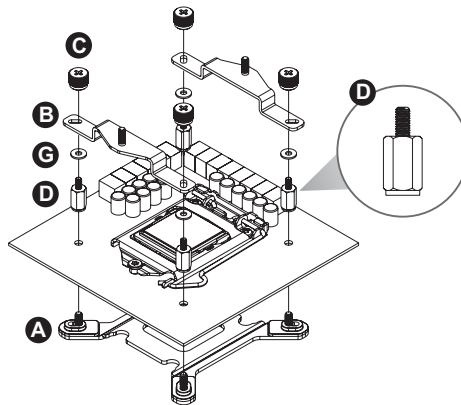
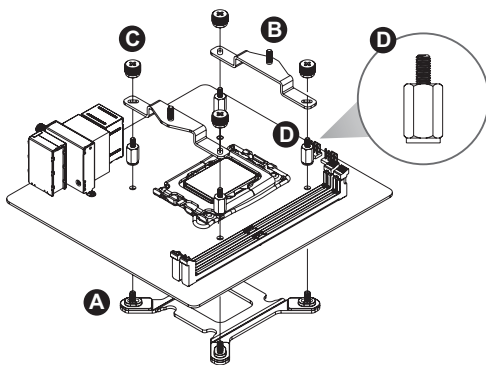
LGA1851/1700

or

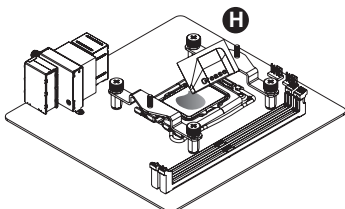
LGA1200/115X

or

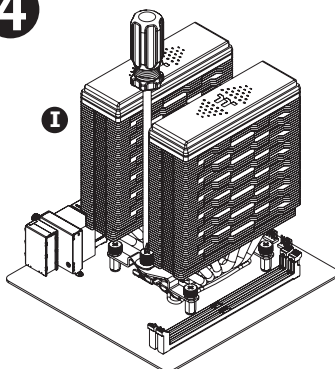
LGA2600/2011



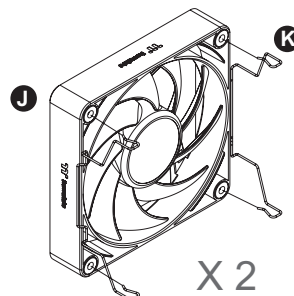
3



4

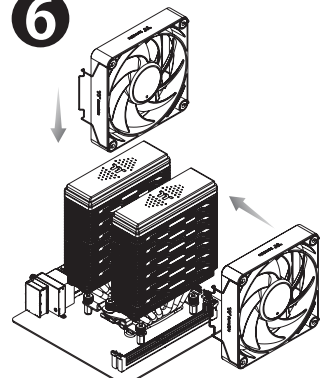


5

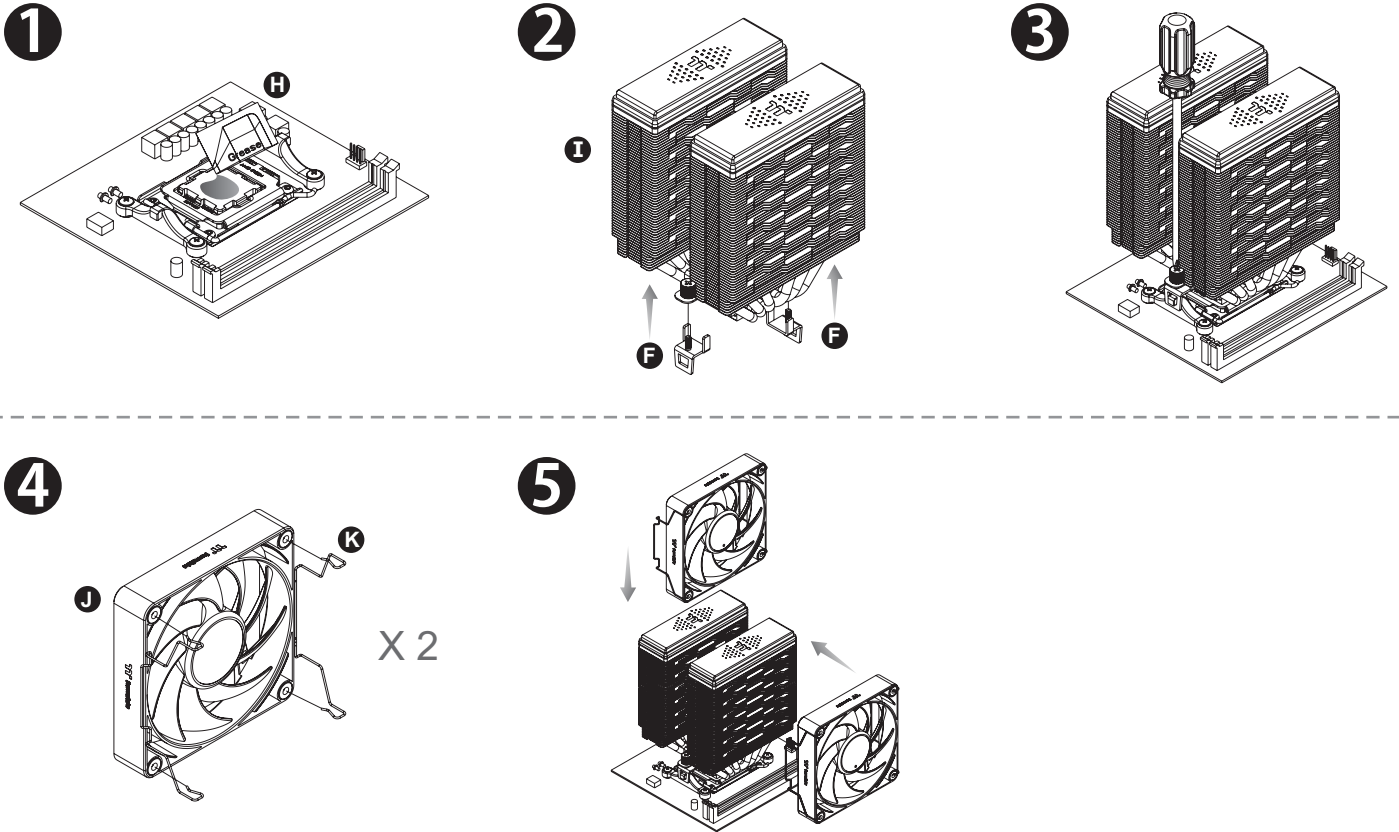


X 2

6



# AMD Installation Guide



# Fan & MB SYNC Installation Guide

**CAUTION** Please power off the PC and check the Positive and Negative ends on the connector before connecting the cable to mainboard. Connecting the wrong end can damage the fans.

