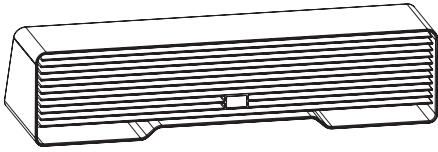
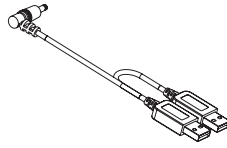


## Parts List



Notebook Cooler x 1



USB Cable x 1

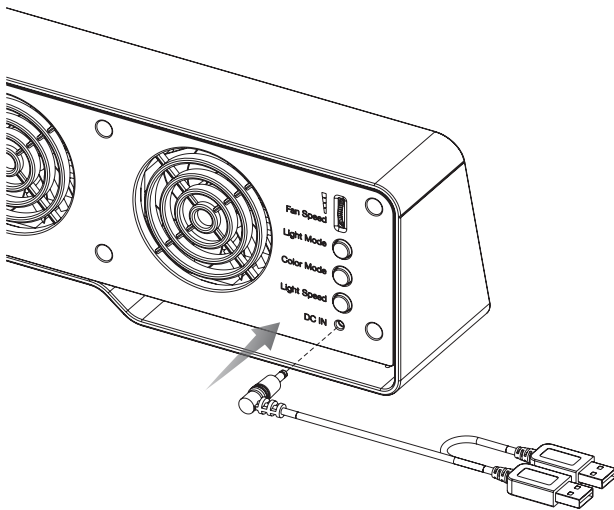


Warranty Card x 1



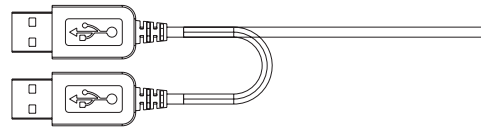
Manual x 1

## Installation Guide

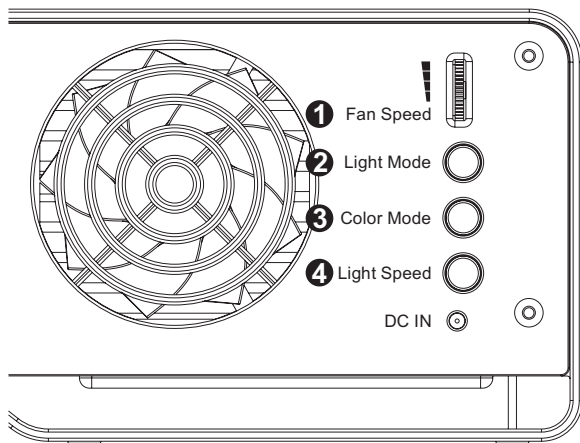


### CAUTION

Please use both connectors if your USB port output current is lower than 1A.



## Controller Function



### 1. Fan Speed:

Adjust the fan speed from 0 to 2500 RPM through the control knob.

### 2. Light Mode:

Switch over between 7 LED modes.

Wave → Full light → RGB Spectrum → Off → Flow → Radar → Pulse → Blink

### 3. Color Mode:

**When light mode is in Full Light , Radar , Pulse , Blink :**  
Switch over 7 LED colors .

Red → Yellow → Green → Teal → Blue → White → Purple

**When light mode is in Wave , Flow , RGB Spectrum :**

LED color can not be adjusted.

### 4. Light Speed:

Switch over between 4 light modes.

Slow → Normal → Fast → Extreme