

# AMD-AM5 Upgrade Kit

CL-W276-CU00SW-A\_Pacific W4 ARGB  
 CL-W208-PL00TR-A\_Pacific W5  
 CL-W279-CU00SW-A\_Pacific W7  
 CL-W299-PL00SW-A\_Pacific MX1 Plus

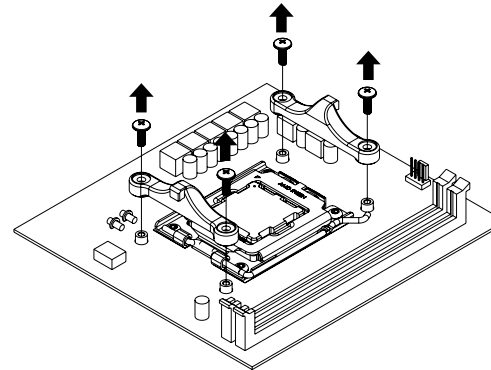
## Parts List



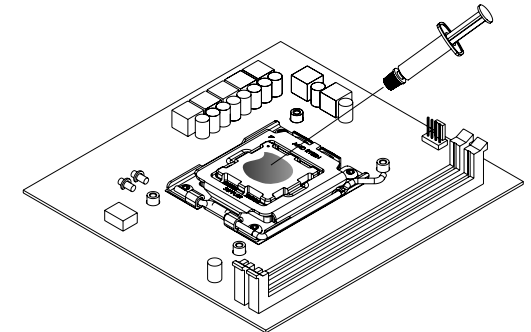
A x 4

## AM5 Installation Guide

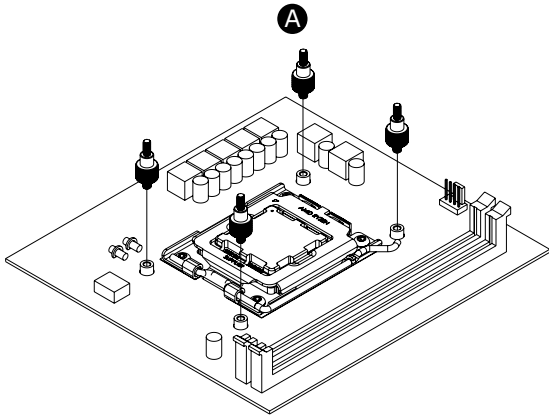
**1** Please remove the stock AMD mounting bracket, use AMD backplate.



**2** Apply a thin layer of Thermal Grease onto the CPU.

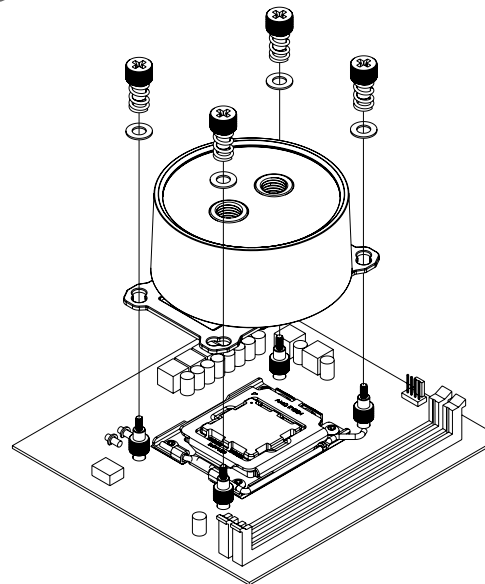


**3**



**4**

Photos of Water Block are generic and for reference only.



**5**

