

AMD-AM5 Upgrade Kit

CL-W276-CU00SW-A_Pacific W4 ARGB
 CL-W208-PL00TR-A_Pacific W5
 CL-W279-CU00SW-A_Pacific W7
 CL-W299-PL00SW-A_Pacific MX1 Plus

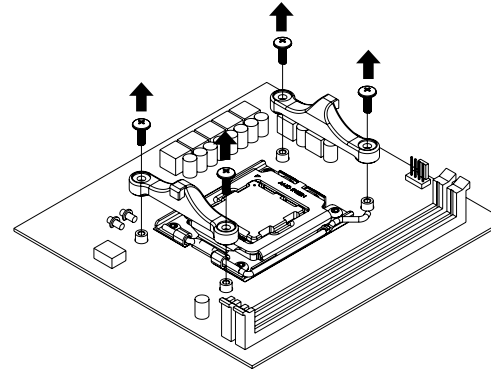
Parts List



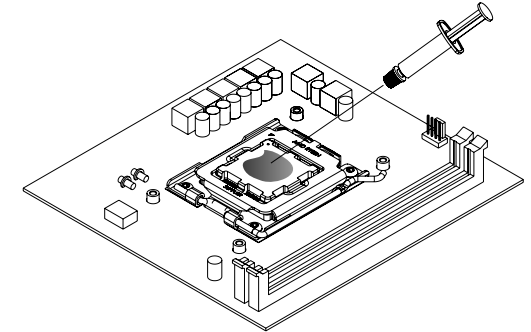
A x 4

AM5 Installation Guide

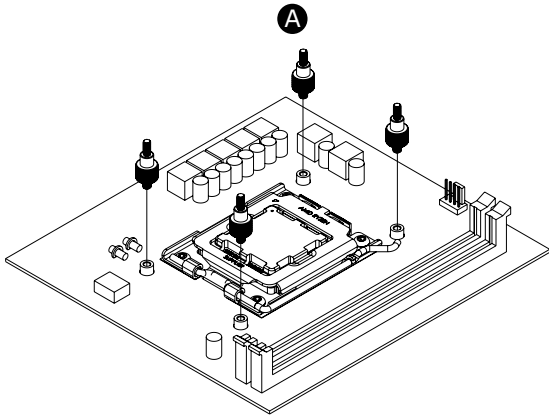
1 Please remove the stock AMD mounting bracket, use AMD backplate.



2 Apply a thin layer of Thermal Grease onto the CPU.

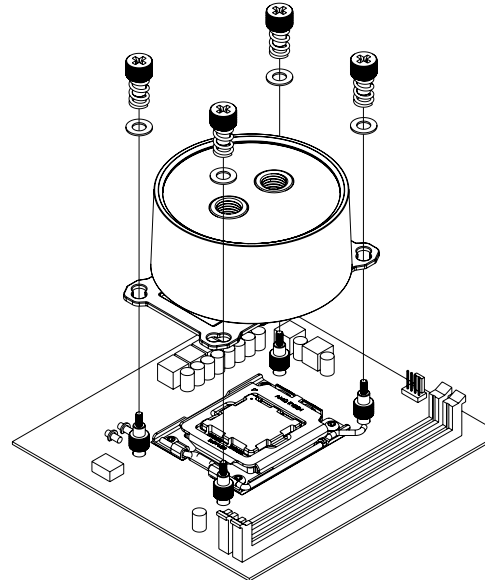


3



4

Photos of Water Block are generic and for reference only.



5

