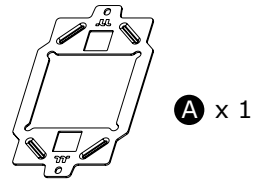


AMD-AM5 Upgrade Kit

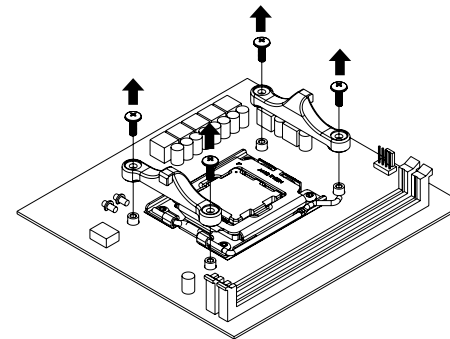
CL-W332-CU00SW-A_Pacific MX2 Ultra CPU Water Block

Parts List

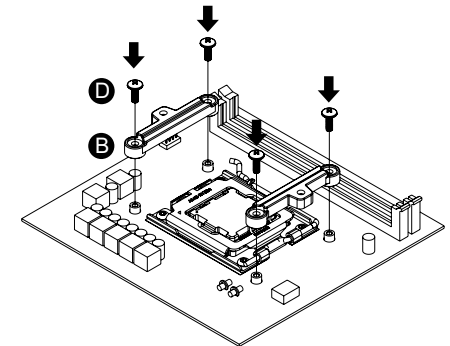


AM5 Installation Guide

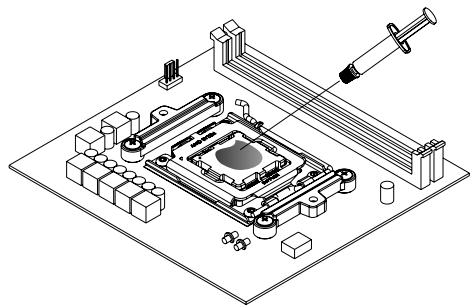
1 Please remove the stock AMD mounting bracket, use AMD backplate



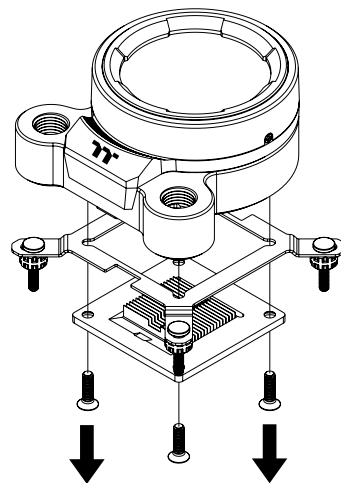
2



3 Apply a thin layer of Thermal Grease onto the CPU.



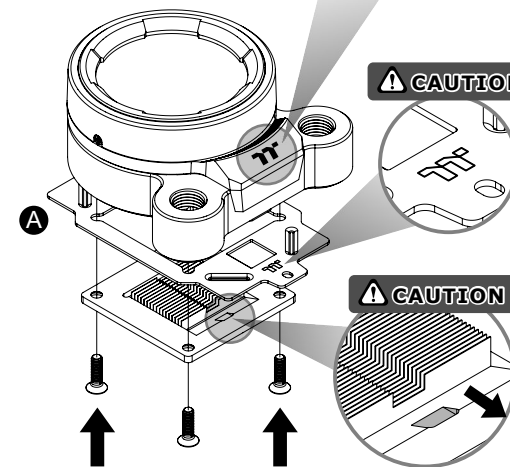
4 Remove Intel Clip



5

CAUTION

Please make sure the grey mark is toward to the TT Logo.



6

Photos of Water Block are generic and for reference only.

