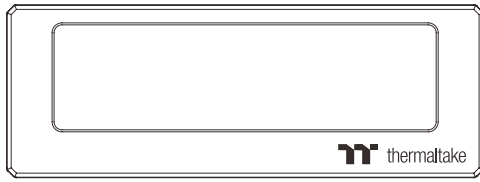
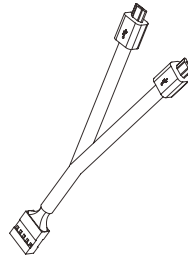


Parts List



A x 1

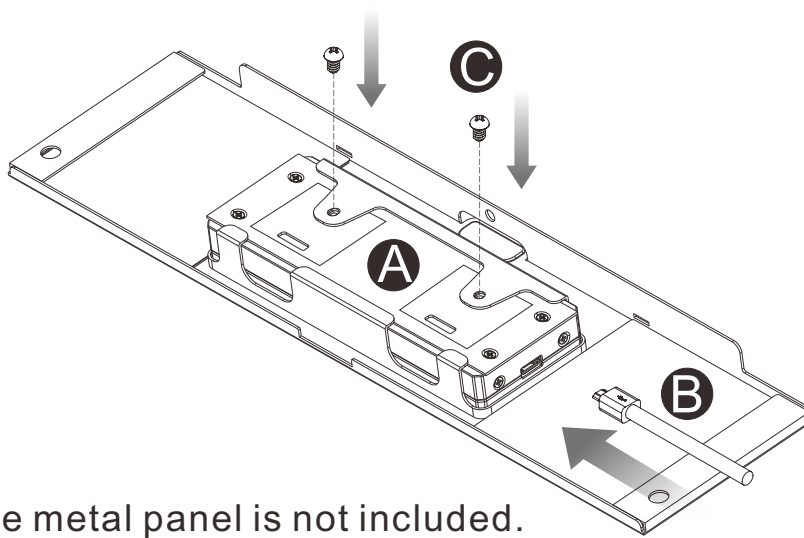
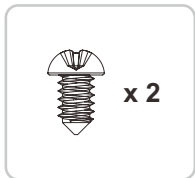


B x 1

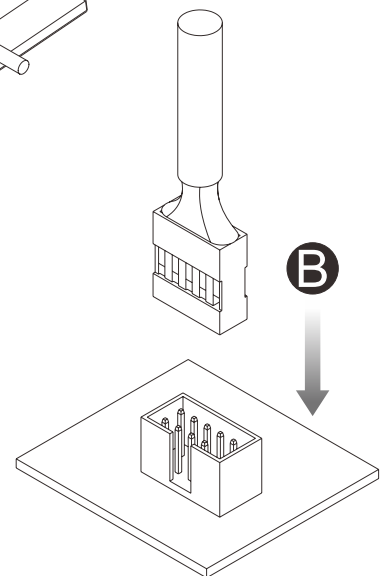


C x 2

Installation Guide



- The metal panel is not included.



Note: Please connect the LCD display and motherboard with cable B to control the display with TT RGB PLUS 2.0 Software.

TT RGB PLUS 2.0 Software control interface

Please download TT RGB PLUS 2.0 from Thermaltake's Official website.

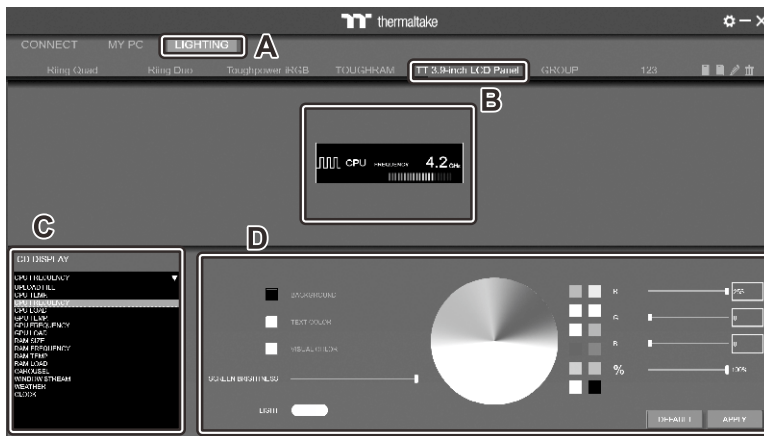
<https://www.thermaltake.com/downloads>

OS compatibility: Windows 10 / Windows 11

TT RGB PLUS 2.0 Software User Interface

TT 3.9" LCD Panel

LIGHTING



A. After installation of TT RGB PLUS 2.0, you can select "TT 3.9-inch LCD Panel" on the "LIGHTING" page.

B. Preset the TT 3.9-inch LCD Panel.

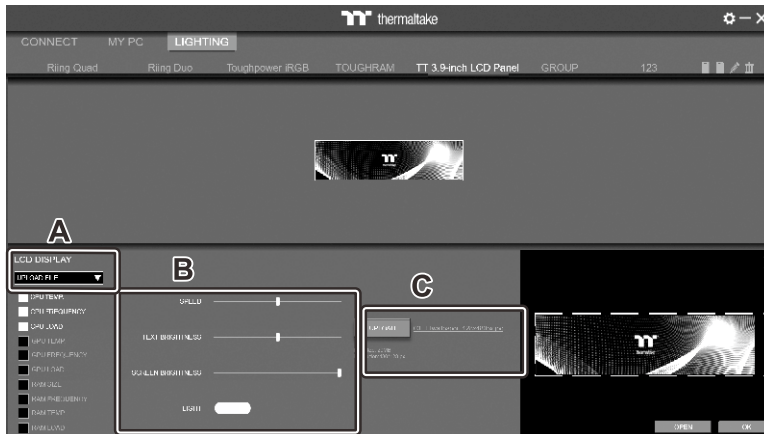
C. LCD DISPLAY function list.

- UPLOAD FILE (Upload picture or video to LCD)
- CPU TEMP.
- CPU FREQUENCY
- CPU LOAD
- GPU FREQUENCY
- GPU
- GPU LOAD
- RAM TYPE
- RAM FREQUENCY
- RAM TEMP.
- RAM LOAD
- CAROUSEL (Switches between PC information)
- WINDOW STREAM
- WEATHER
- CLOCK

D. LCD visual effect settings.

Set LCD background, text, and visual color, screen brightness, rotate the LCD screen or turn off the LCD.

UPLOAD FILE



A. Select "UPLOAD FILE" from "LCD DISPLAY".

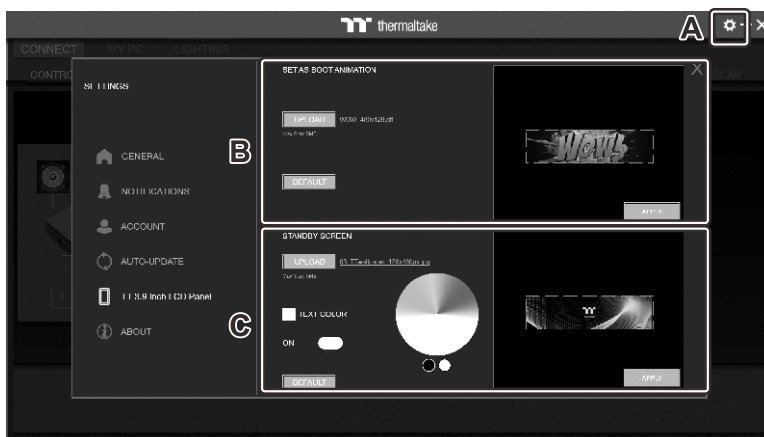
You can upload a file to show on the LCD screen.
(File type: GIF, JPG, PNG, MOV, MP4, AVI)

B. Set the LCD text information, speed and brightness, rotate the LCD screen, or turn off the LCD.

C. Click "UPLOAD" to upload the picture.

(Max size: 20MB)

SETTINGS



A. Click the gear icon on the upper right corner to enter the "SETTINGS" menu.

B. Upload the picture to set as LCD boot animation.
(GIF only, Max size: 5MB)

C. Upload the picture to set as LCD standby screen.
(JPG only, Max size: 5MB)



The software interface may vary with updates, please download the latest version from www.thermaltake.com