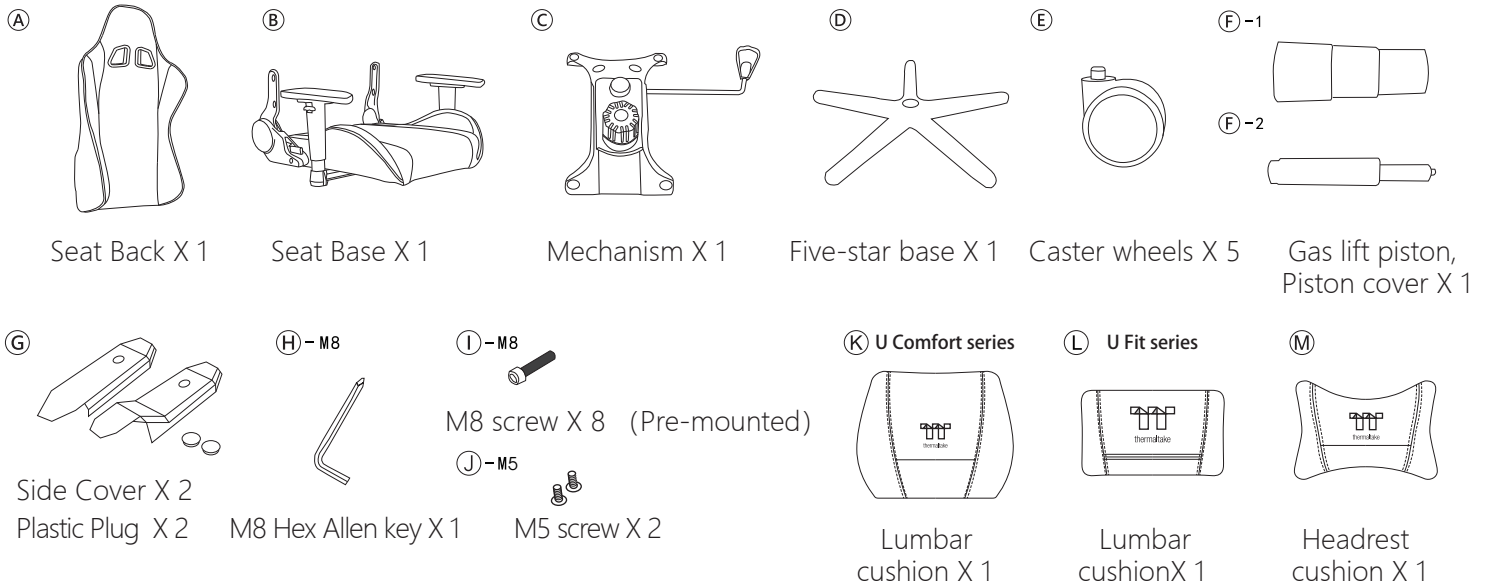


ACCESSORIES



Attention Please make sure the angle of the adjuster on the seat base is set at 90 degrees (As shown in **B**)

STEP by STEP

1. Install the caster wheels, gas lift piston and piston covers onto the 5-star base. Please note: when installing the caster wheels, hold the wheels at a 90-degree with a firm grip of the hand; and do not use tools to knock it into place or the ground as to prevent damage. Detailed installation methods can be found on the official website: (www.thermaltake.com)

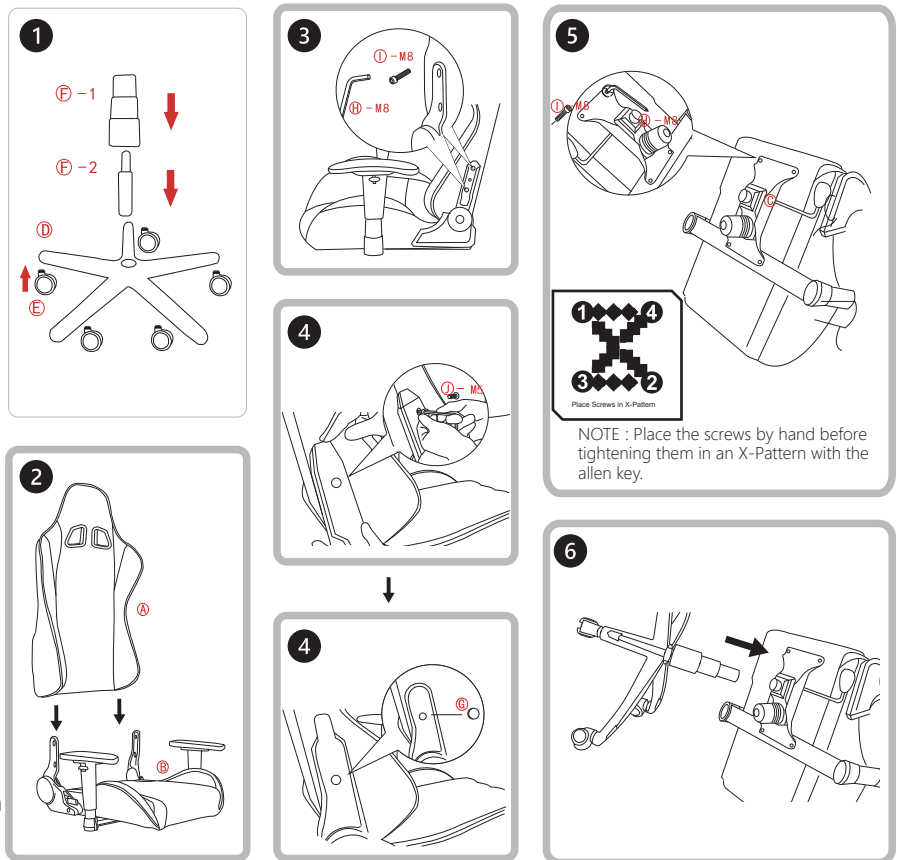
2. Take out the M8 screws and install the seat back onto the seat base.

3. Use M8 allen key to screw the seat back onto the seat base.

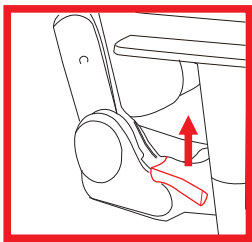
4. Align the rubber cover of the backrest with the hole and lock with a M5 hexagonal screw.

5. Mount the mechanism underneath the seat base using 4x M8 screws. Please note: The screws for the mechanism have been tightened underneath the seat base and needs to be removed and reattached via the provided allen key upon mechanism placement.

6. Attach the 5-star base with gas lift piston onto the notch of the mechanism that has now been attached to the seat base.

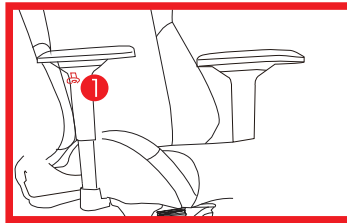
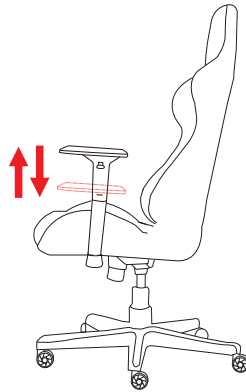


1. SEAT BACKREST ADJUSTMENT



Backward Adjustment of Seat: Pull handle upwards and adjust to the desired angle by leaning gently against the seat back, release handle once desired angle is reached.
Retracting Seat Back: Pull handle upwards, gently lean back against seat back for automatic angle release.

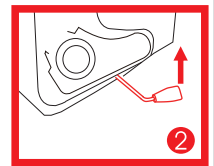
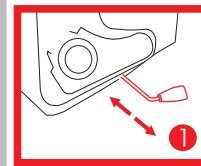
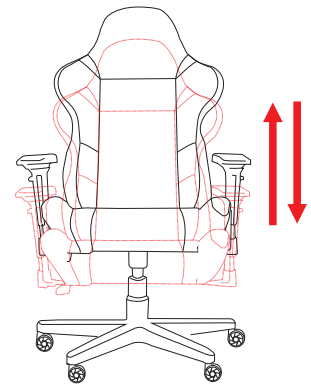
2. ADJUSTMENT OF ARMRESTS



Pull the handle upwards or downwards to the desired height and release the handle to lock the height according to the picture.

Push the armrest panel and move back and forth.

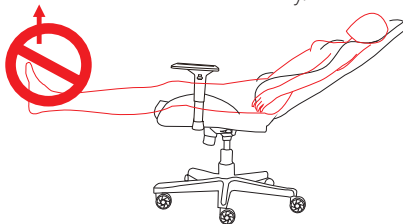
3. SEAT HEIGHT ADJUSTMENT



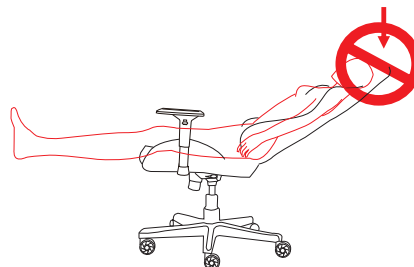
Pull up the handle underneath the right side of seat base to adjust the seat height and then lock it by releasing the handle.

Attention

1. Max load : TT Gaming U Fit - 140KG/308.64ib
TT Gaming U Comfort - 140KG/308.64ib
2. Do not use the chair for other purposes other than originally intended by the manufacturer.
3. Do not use the chair as a ladder.
4. We recommend placing the chair on a soft covering when used on hard floors as to avoid potential damage.
5. Chair is designed for surface use.
6. Product is for single person use.
7. We recommend not to move the chair with objects on it.
8. Do not place the chair near flammables for the risk of fire hazard.
9. To prevent damage, keep away from direct sunlight.
10. Keep away from fire or water hazards.
11. Use a soft dry cloth for general cleaning and maintenance of the chair. Do not apply corrosive chemicals on the chair.
12. Do not dismantle parts outside of original installation procedures.
13. If the dirt can not be removed even with a light wipe, soak a soft cloth in a 2% solution of neutral detergent in hot water and wipe it with a dry cloth.
14. Please read the user guide carefully.
15. Two adults are recommended for assembly.



For your safety, do not lift up your feet whilst lying on the chair.



For your safety, do not push your head back on the headrest area whilst lying on the chair.